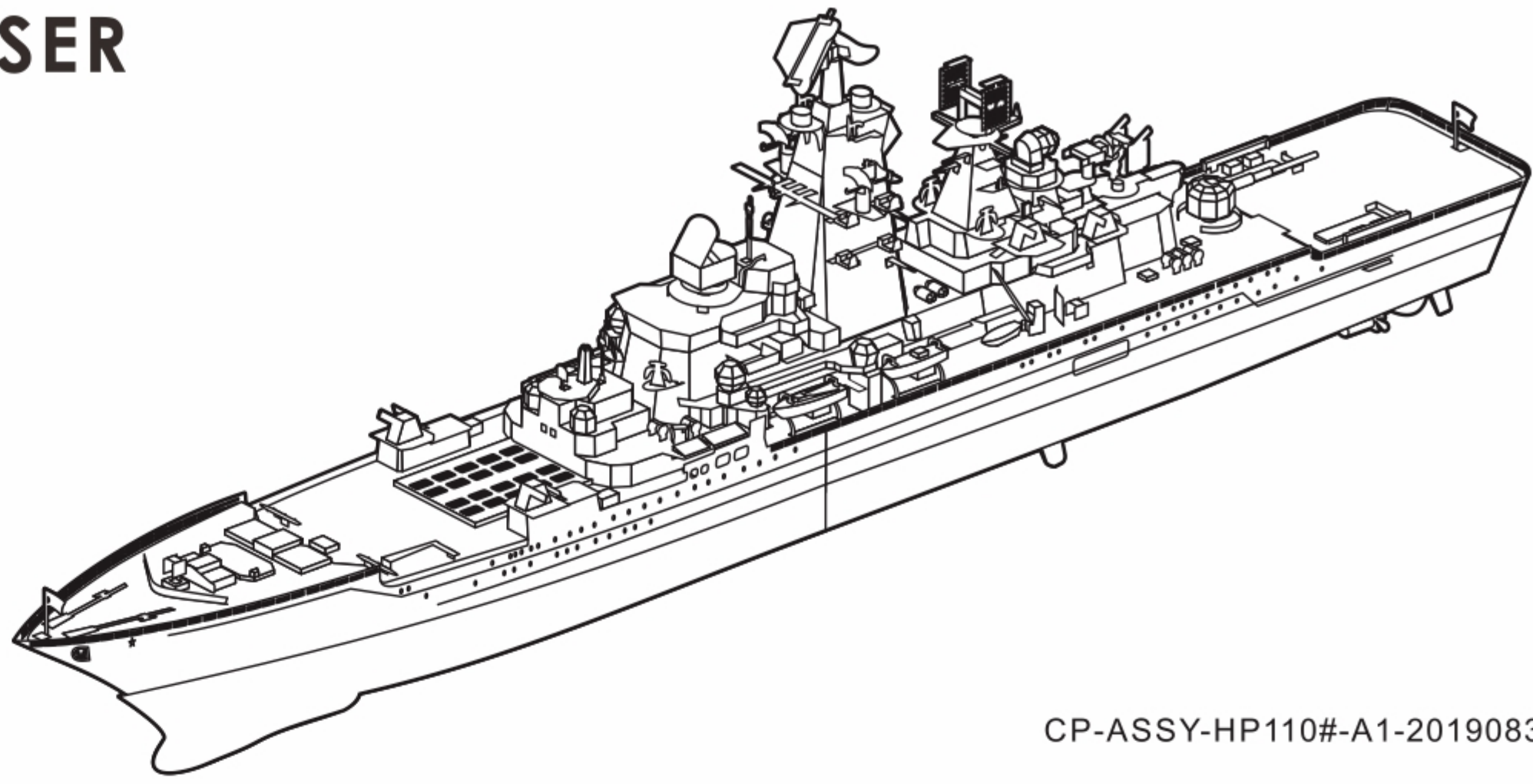


RUSSIAN BATTLECRUISER PYOTR VELIKIY HP110

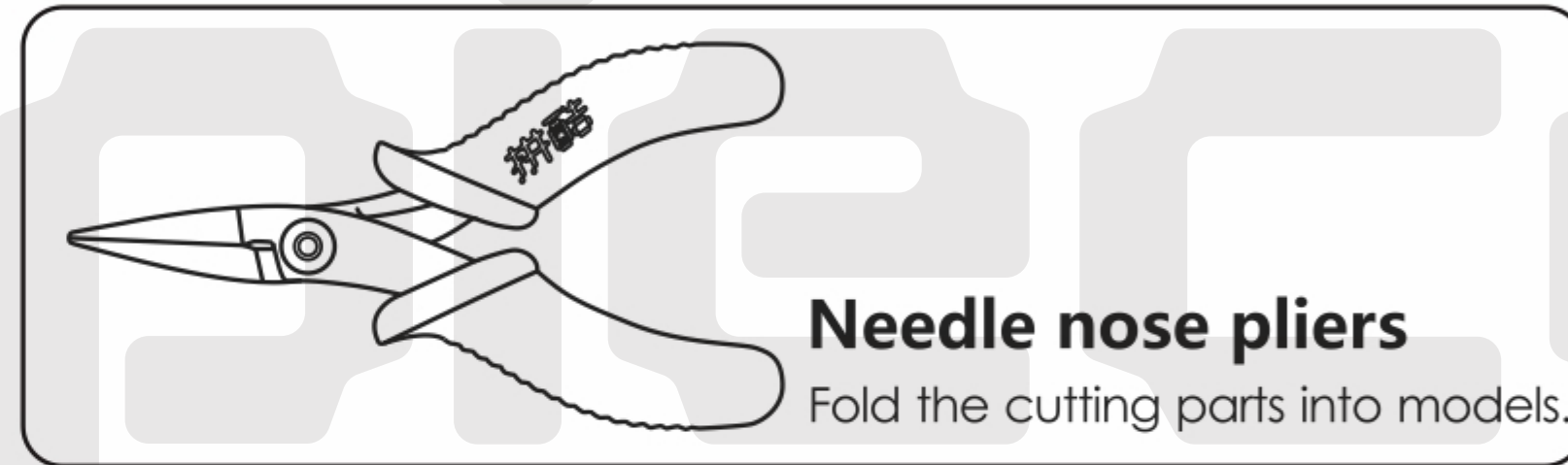
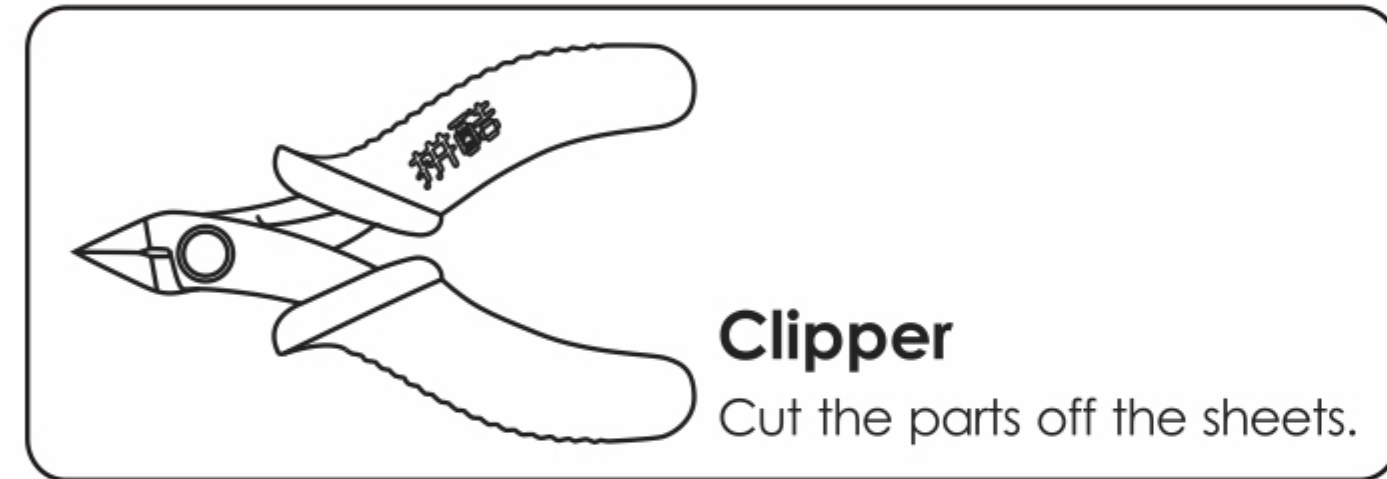


CP-ASSY-HP110#-A1-20190831

Installation Reminder

Please handle the metal trim carefully to prevent scratches.

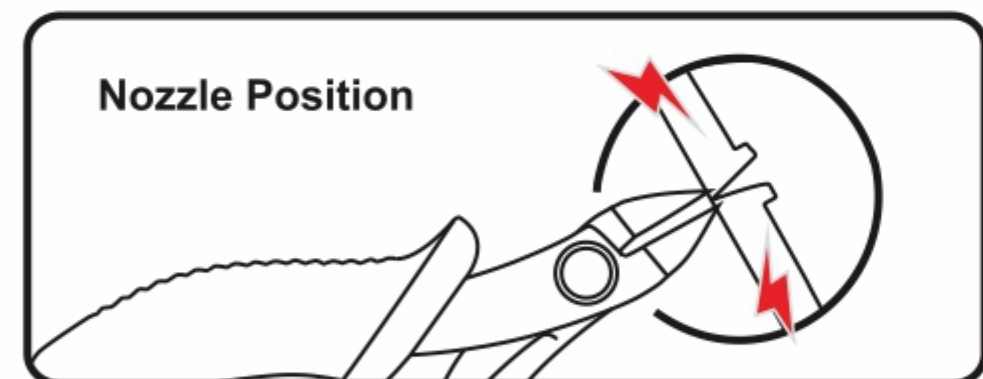
• Prepare tools:



It is recommended to use piececool authentic assembly tools to build or fix the design. It is tailor made for the metal pieces and user friendly.

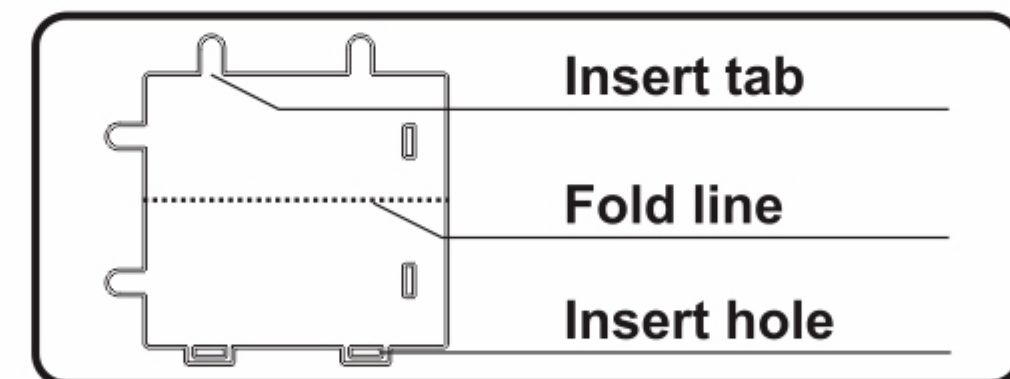
• Installation Method:

a. Remove the parts



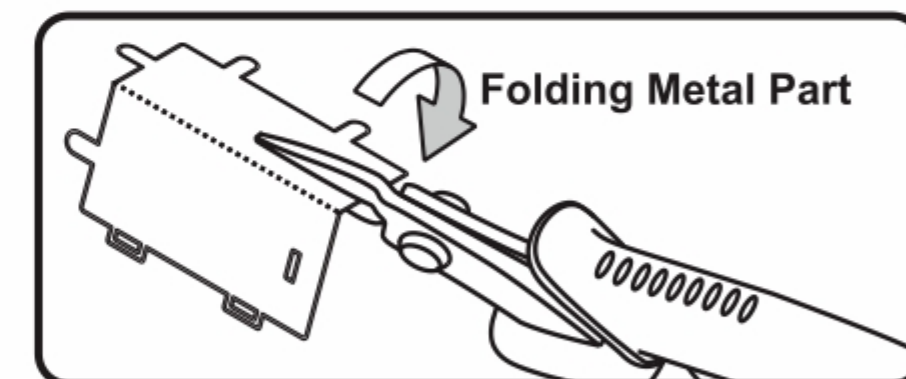
Please use the water-cutting pliers to cut the nozzle position and remove the parts.

b. Identify the parts



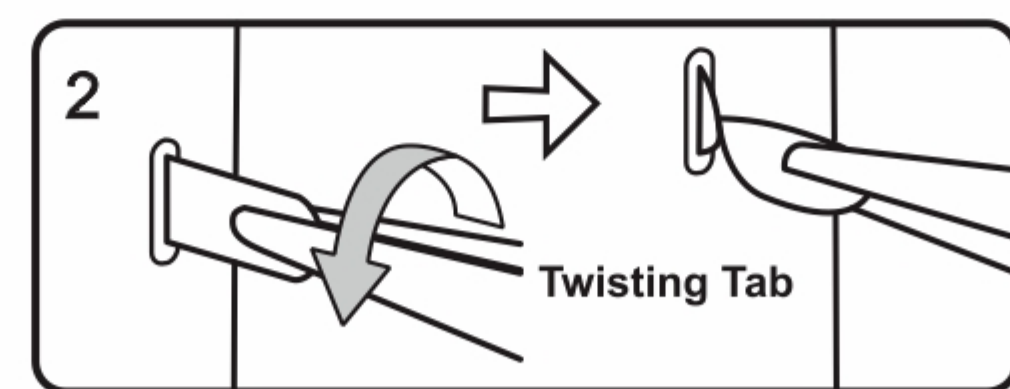
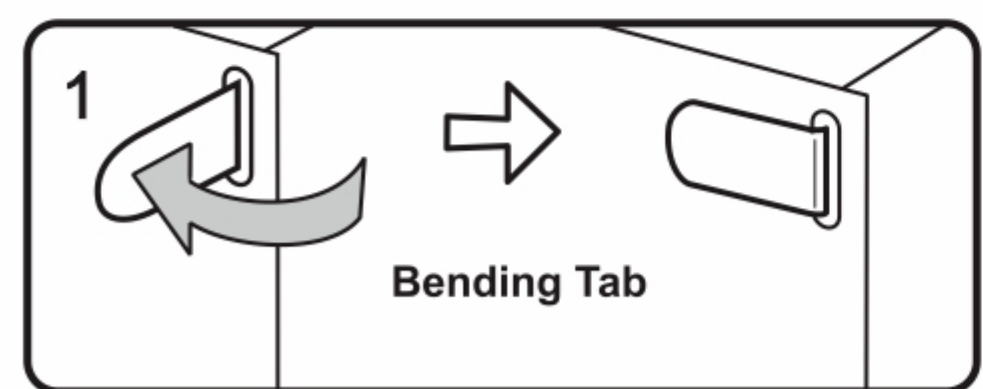
Identify the insert tab, fold line and the insert hole.

c. Folding the parts



Please use the Pointed-nose pliers to fold the cutting parts into models.

d. Retaining the parts



Insert the hole, bending tab with angle 90°

Insert the hole, twisting tab with angle 90°

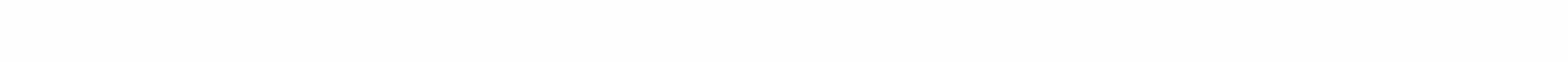
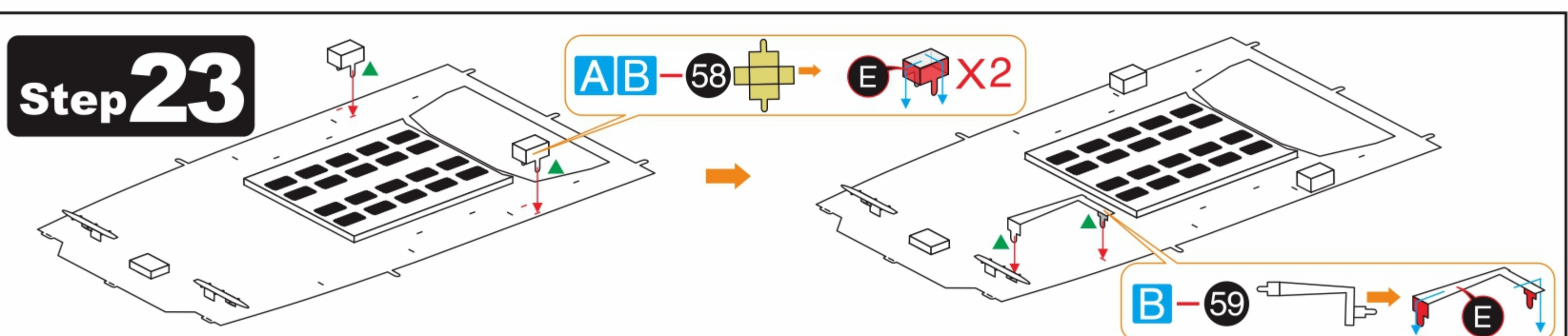
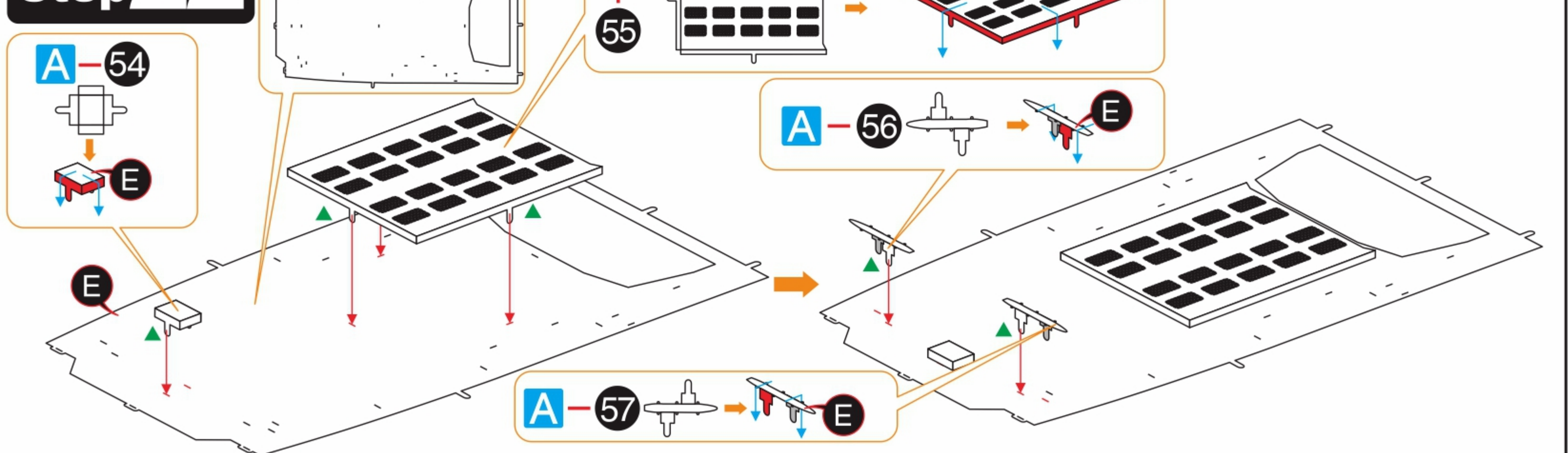
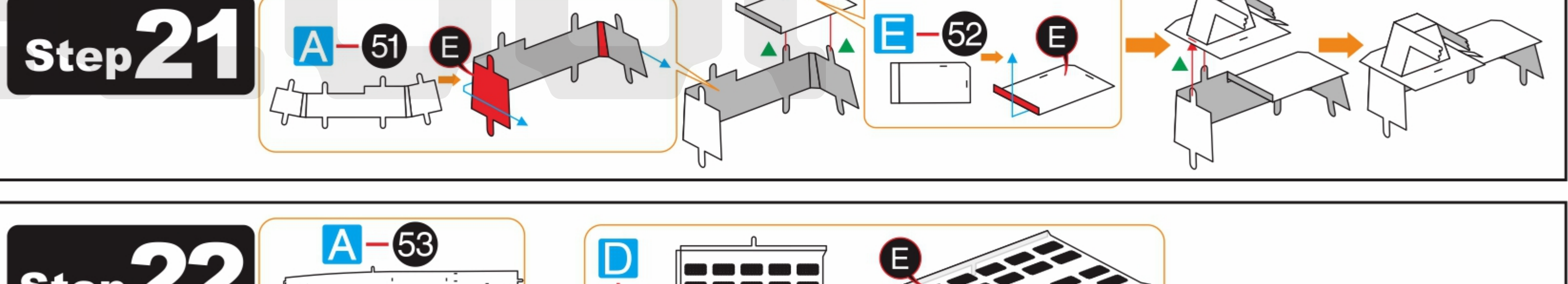
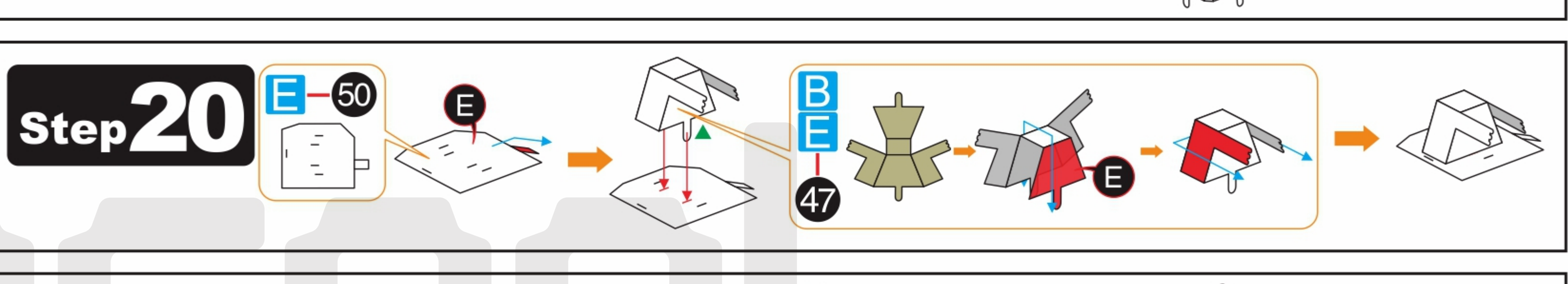
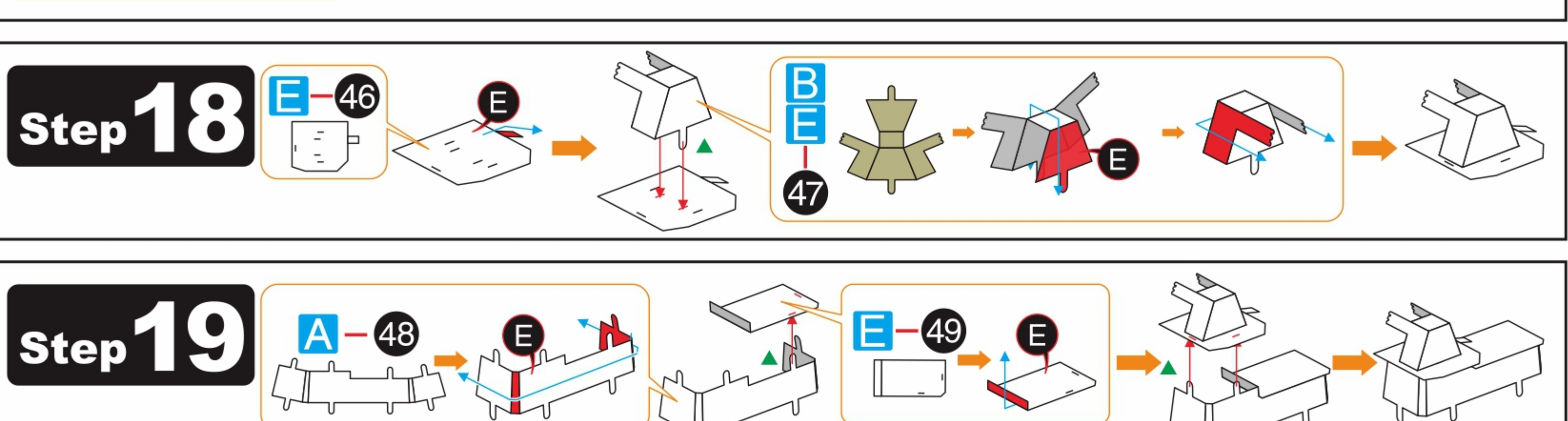
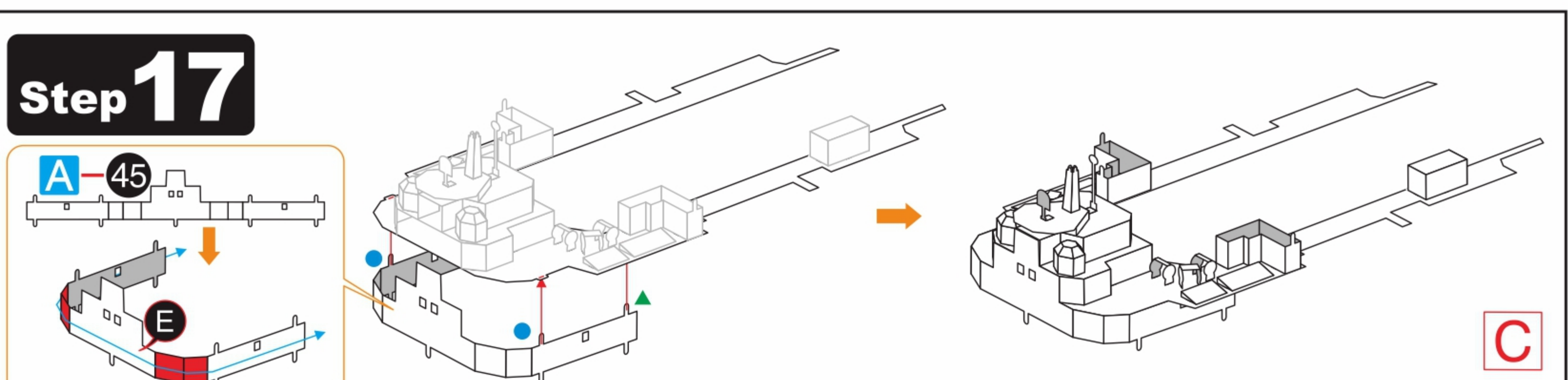
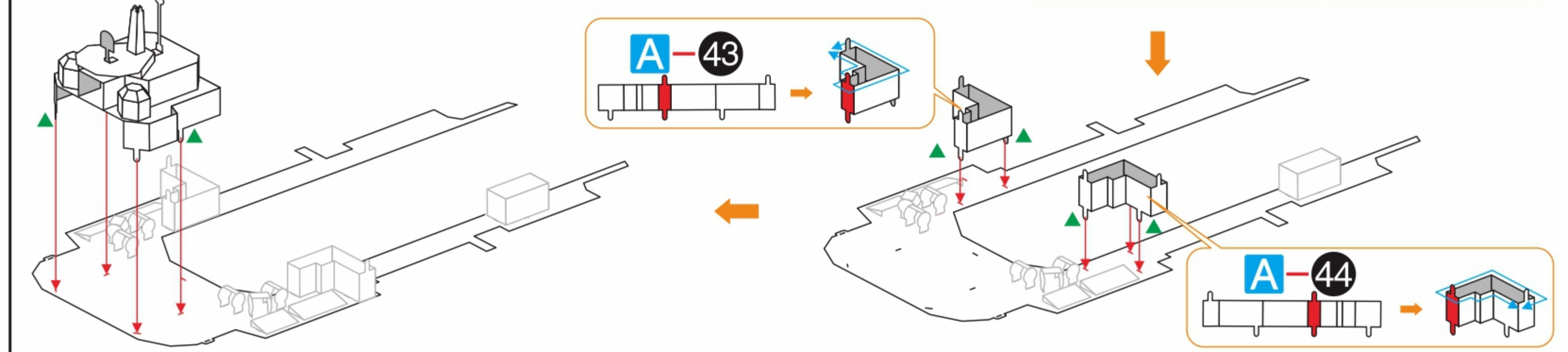
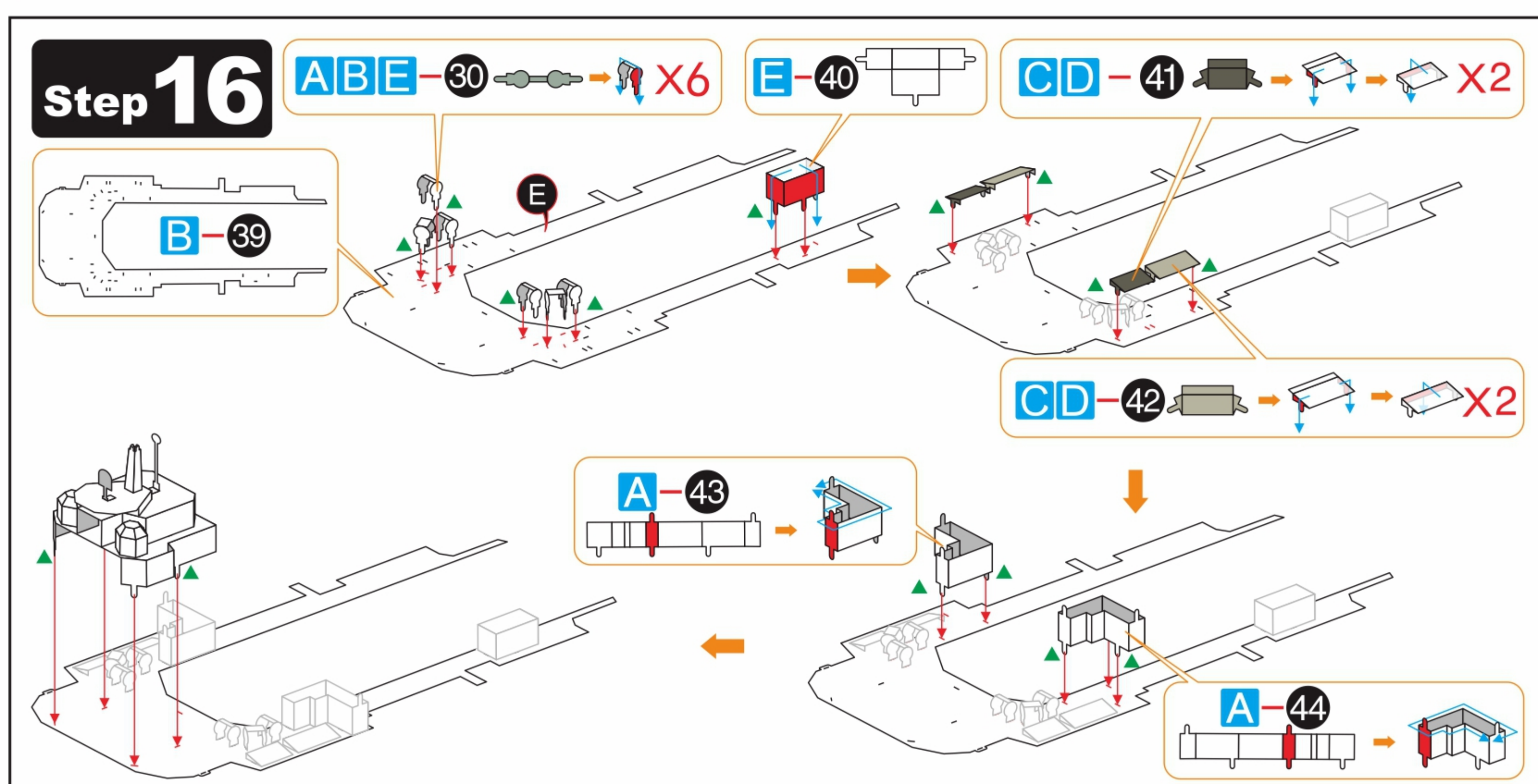
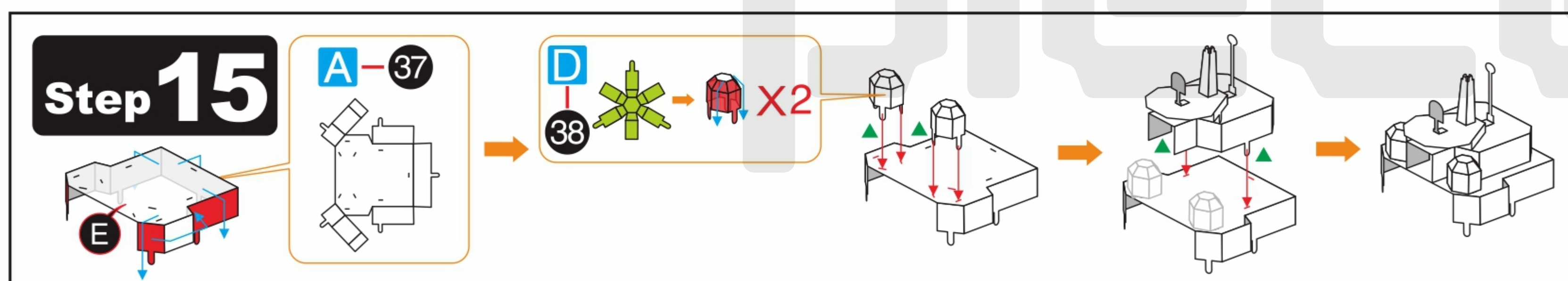
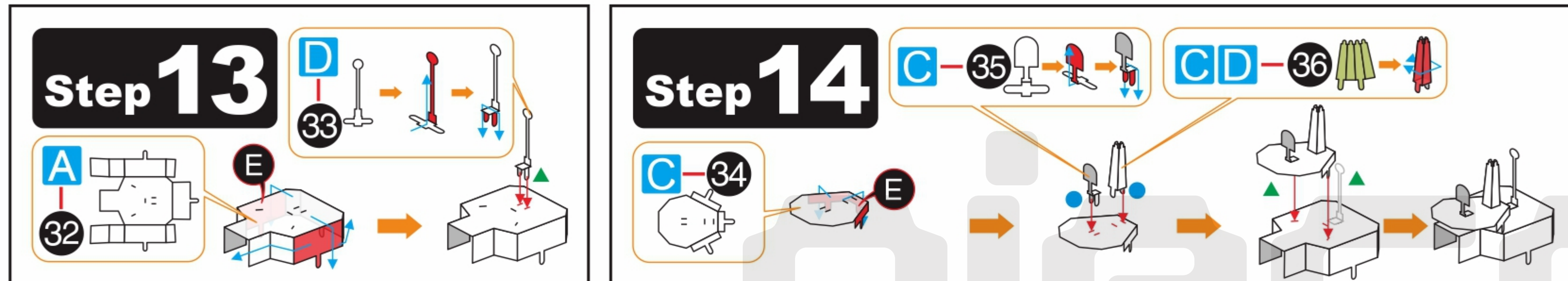
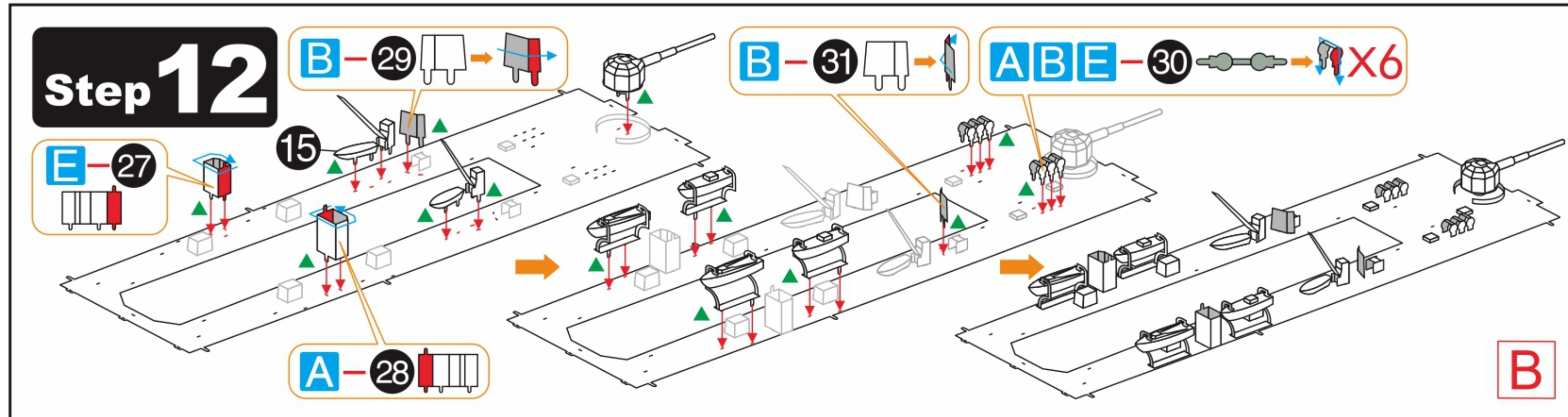
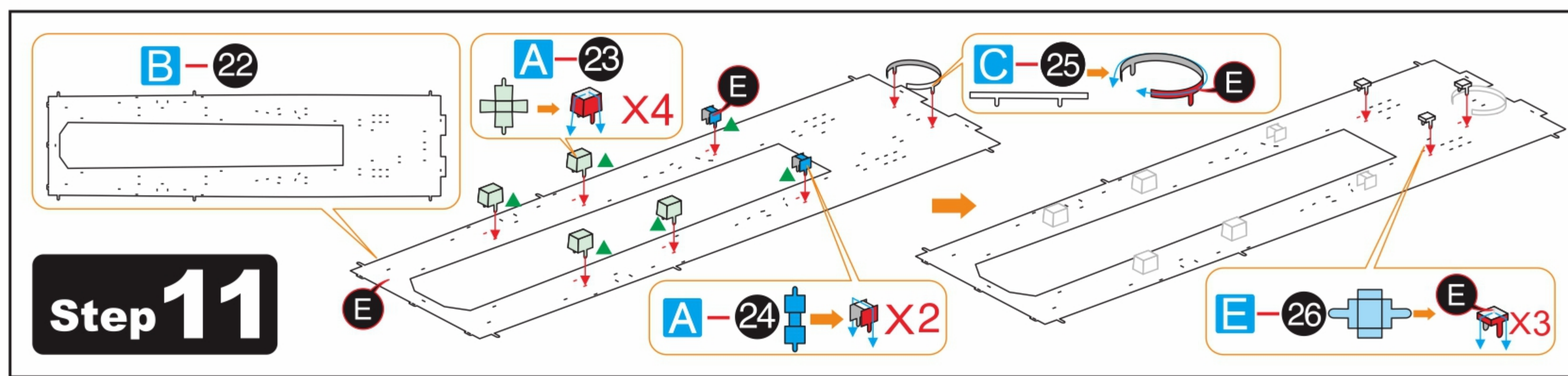
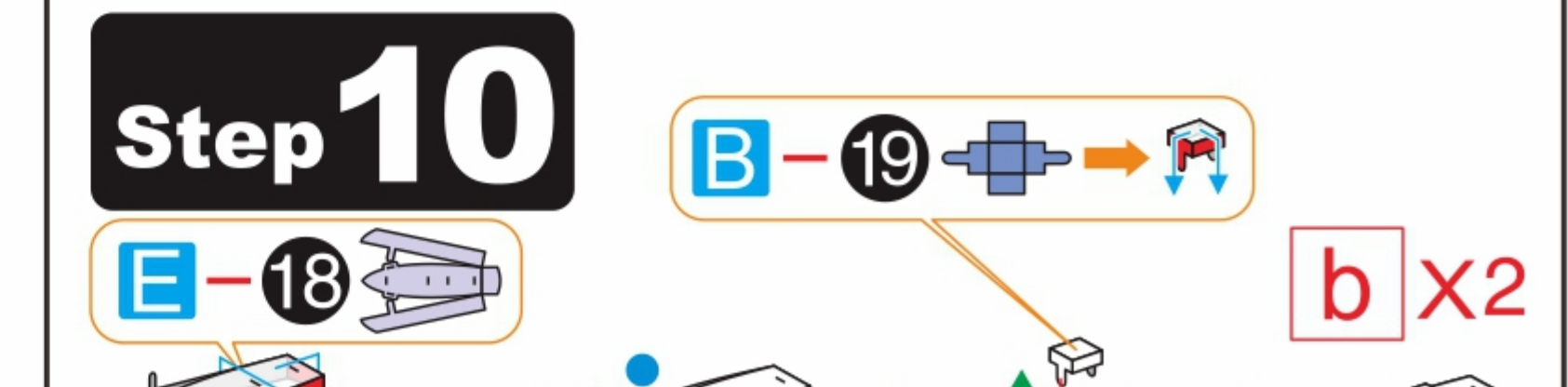
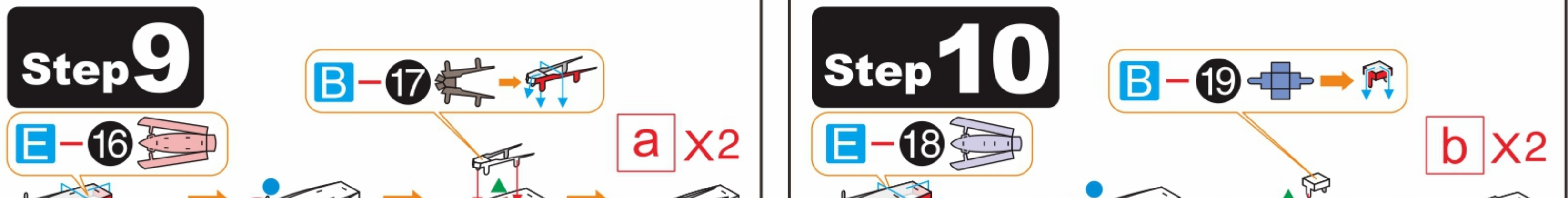
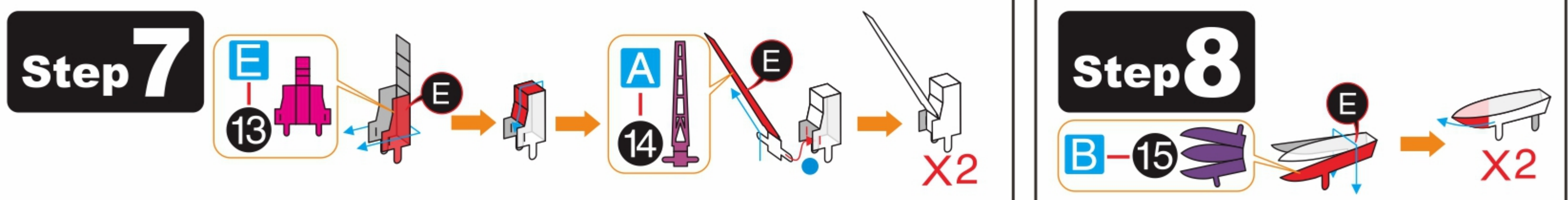
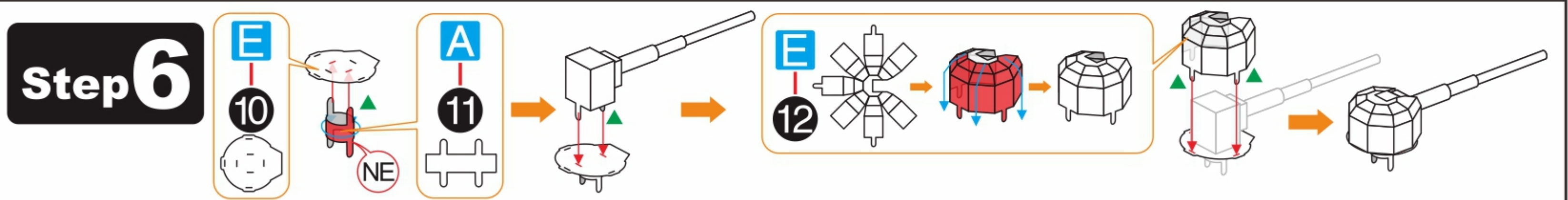
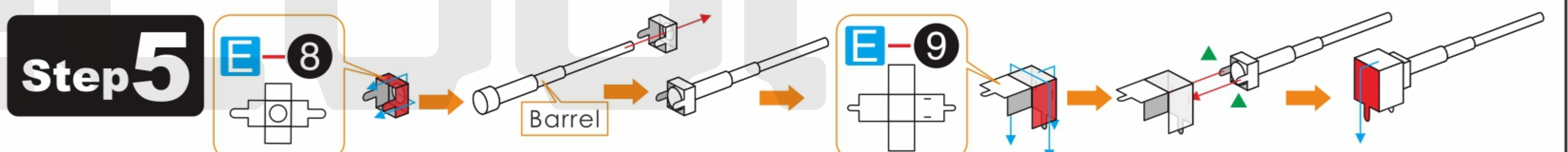
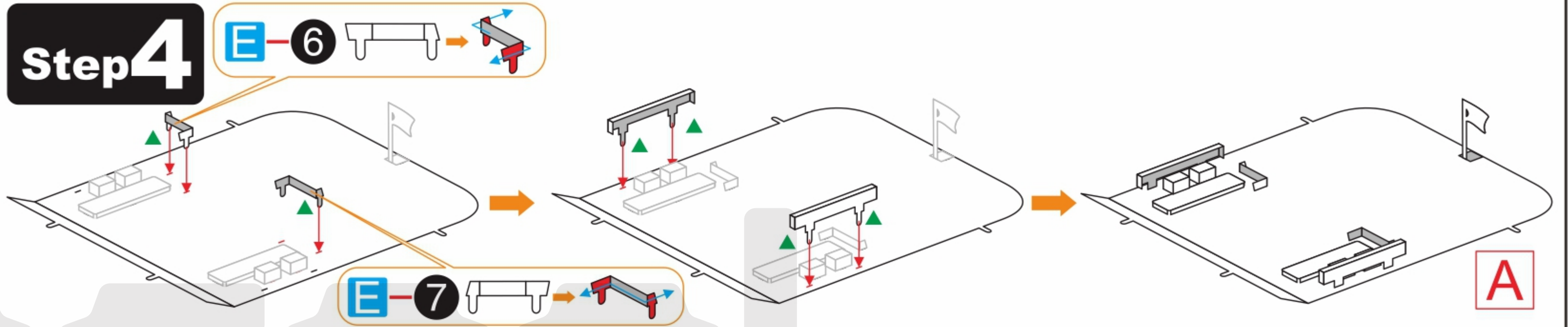
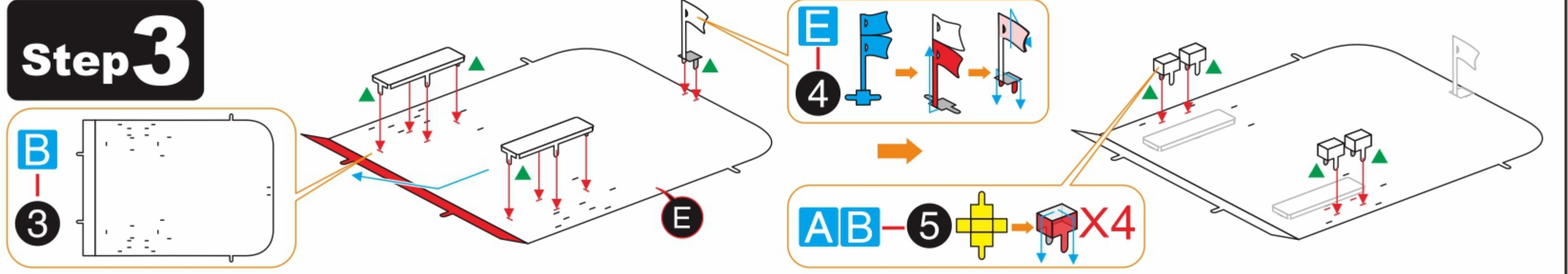
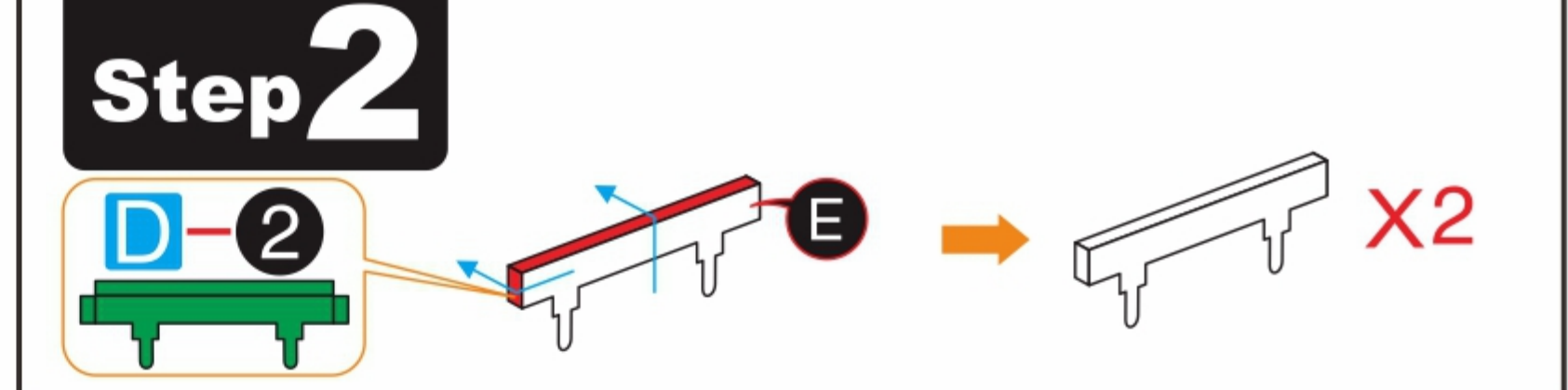
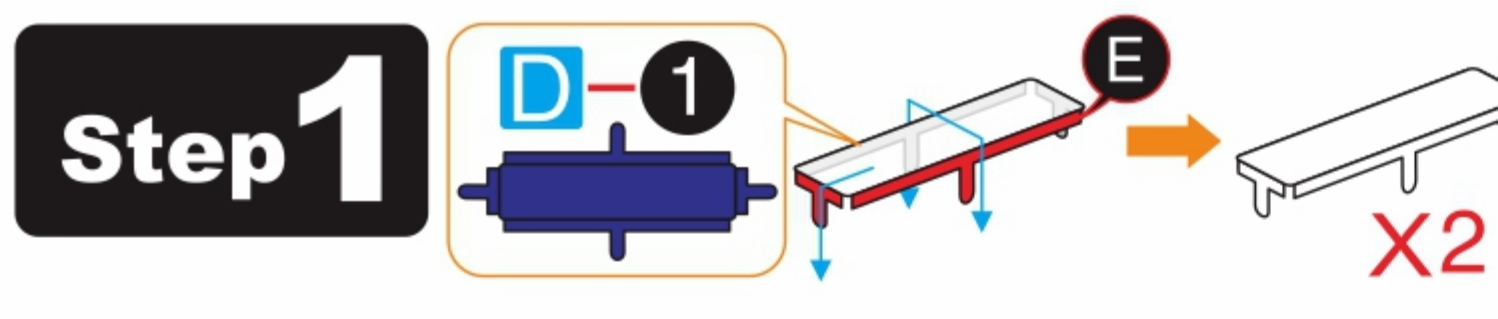
• Attention:

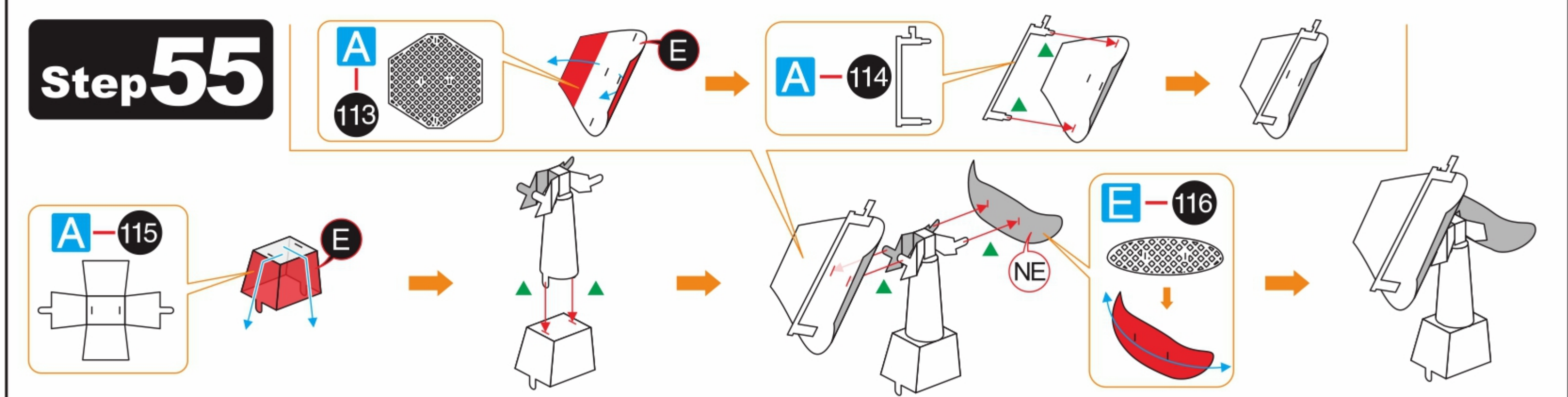
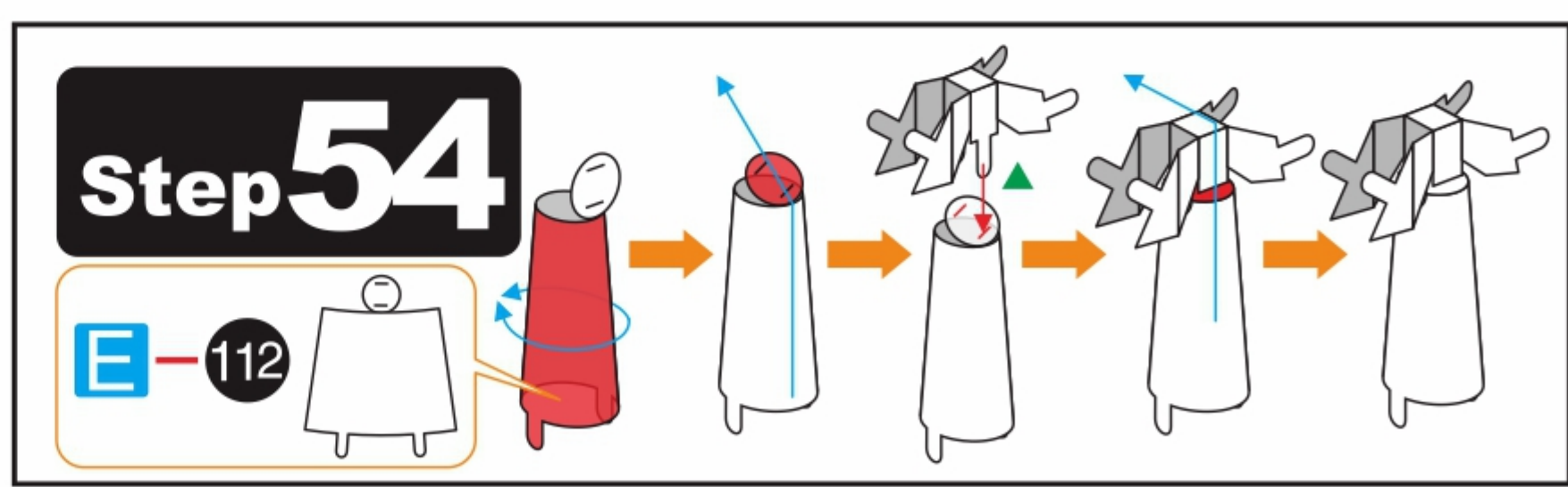
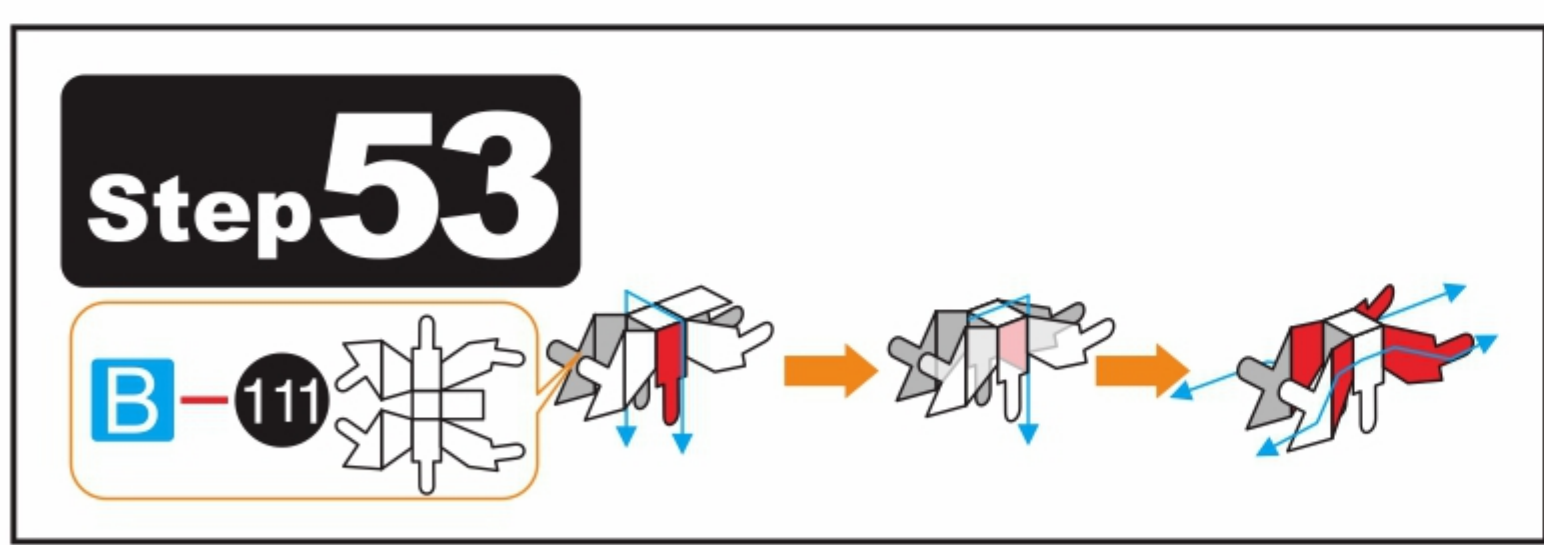
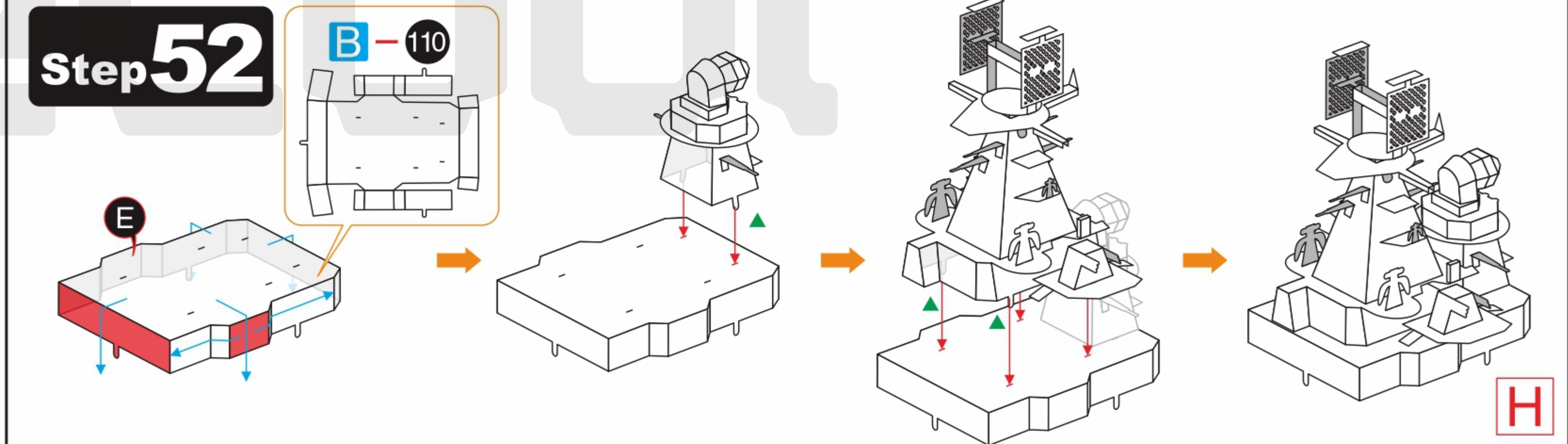
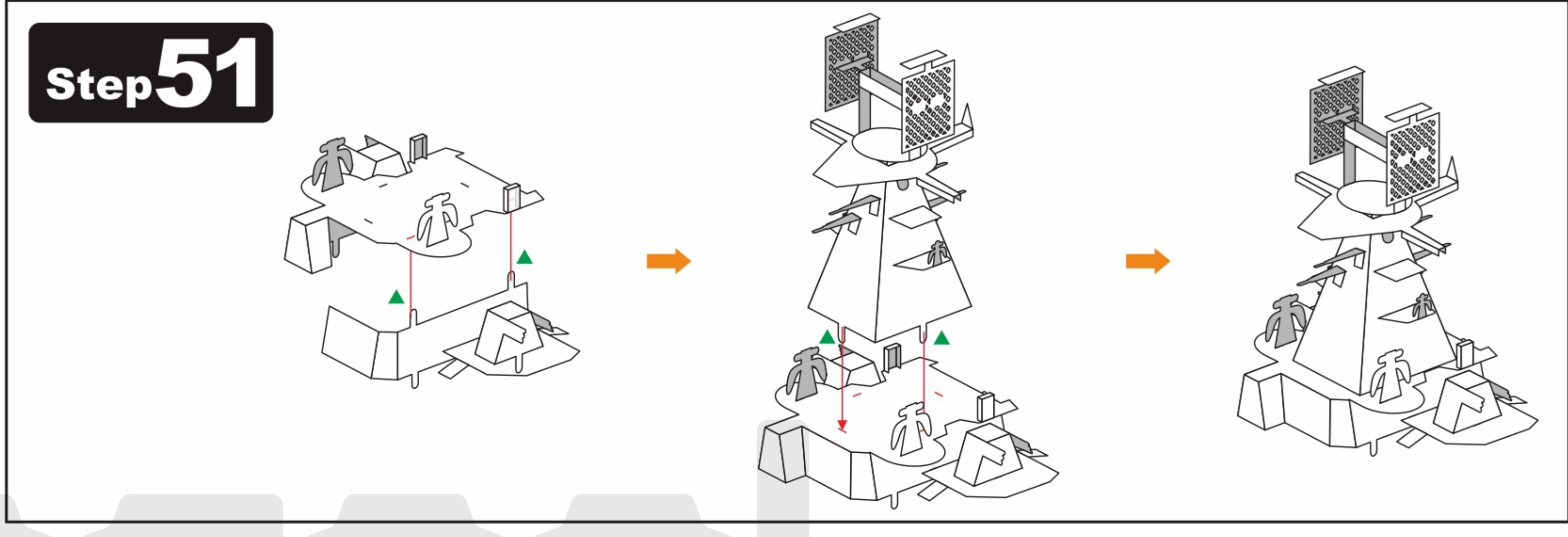
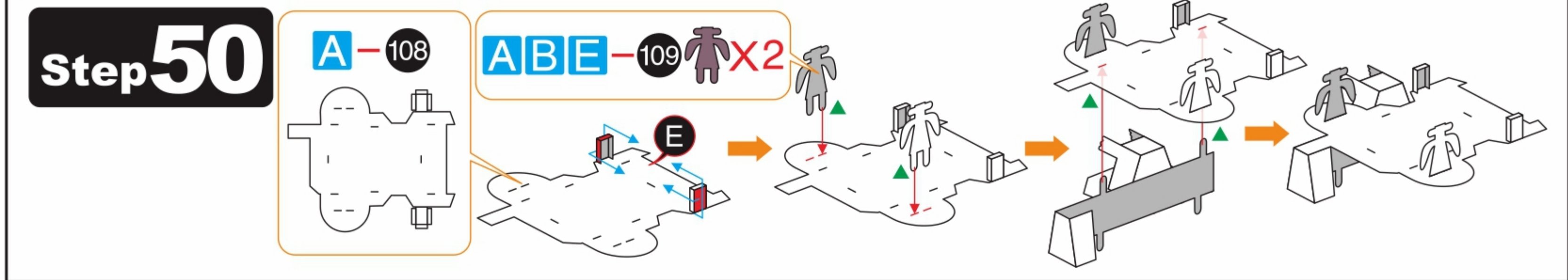
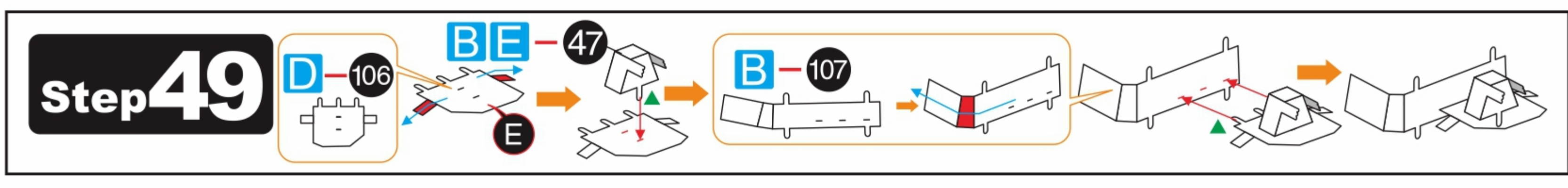
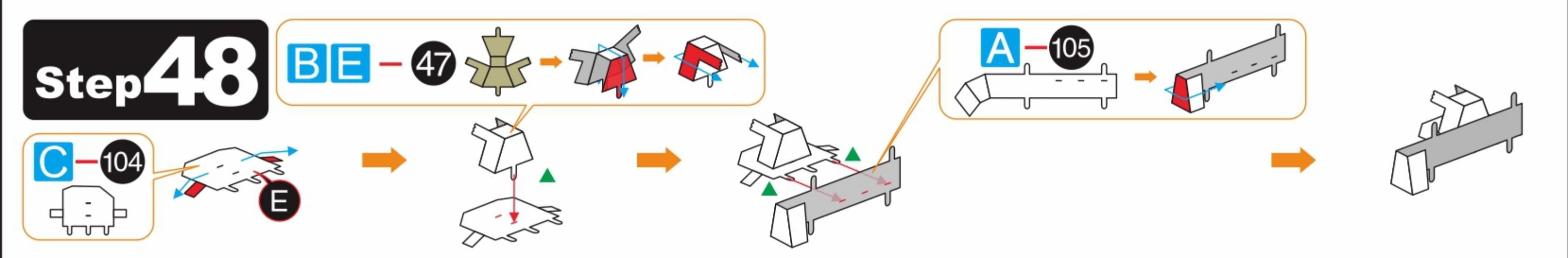
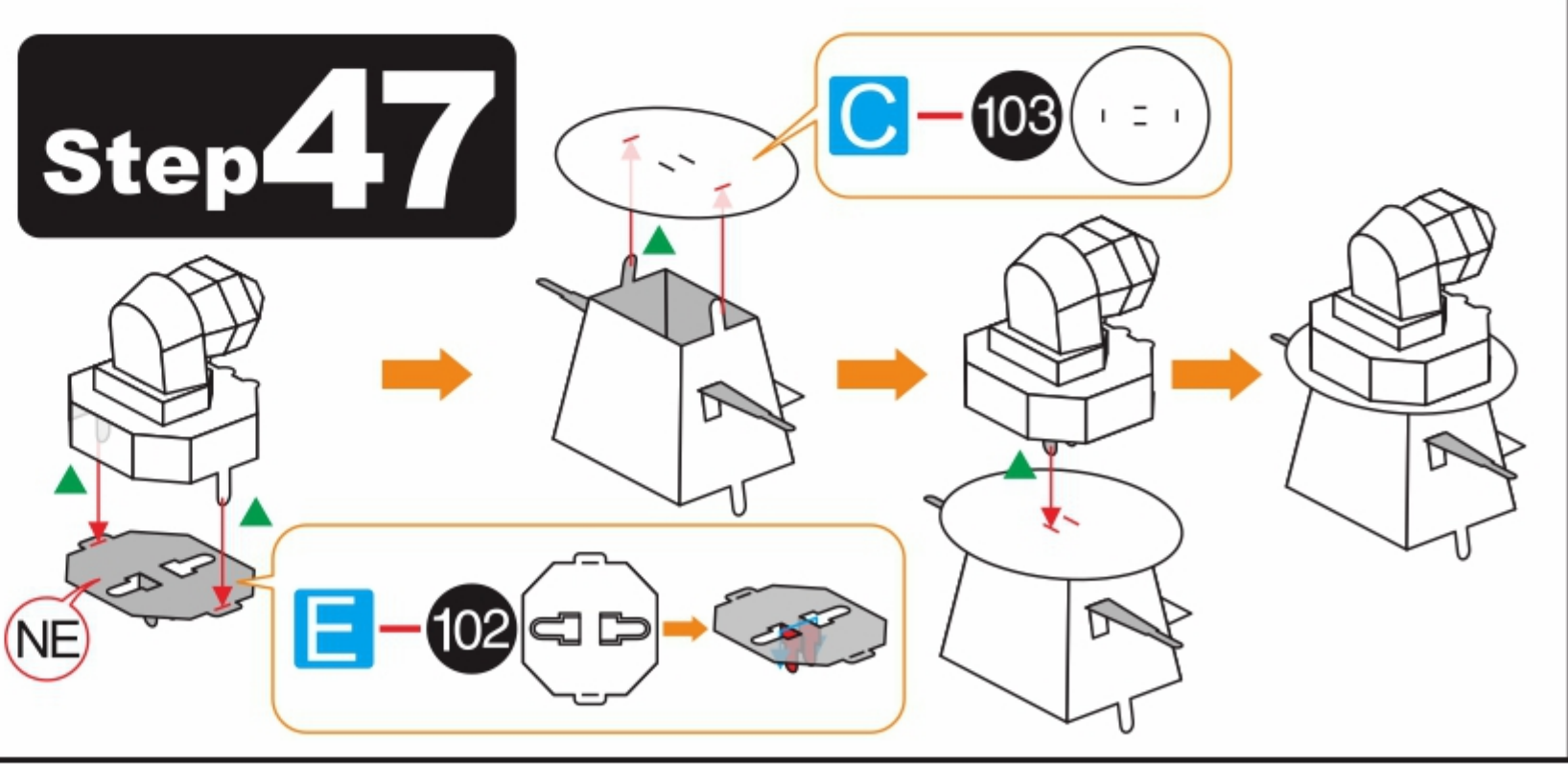
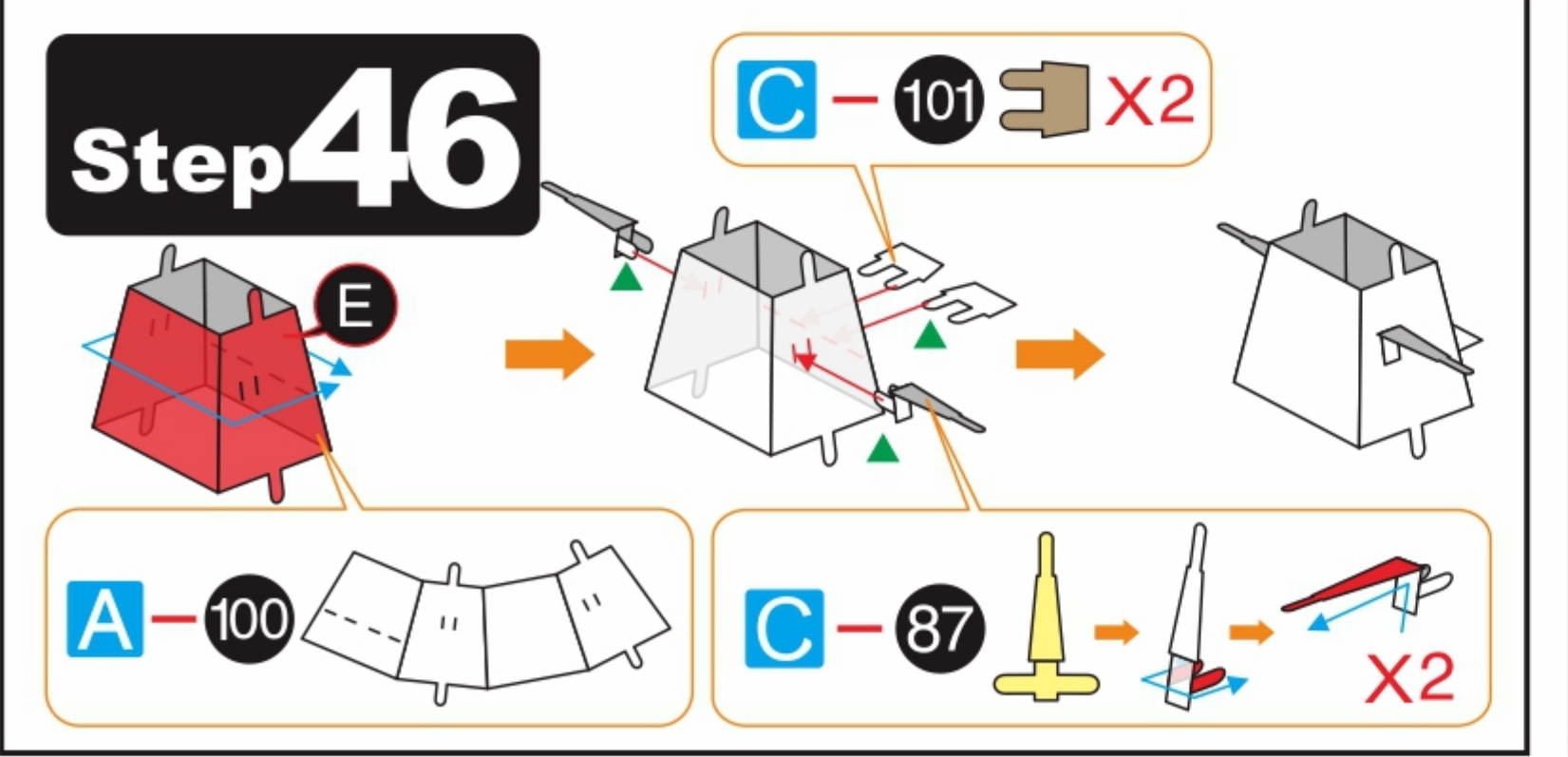
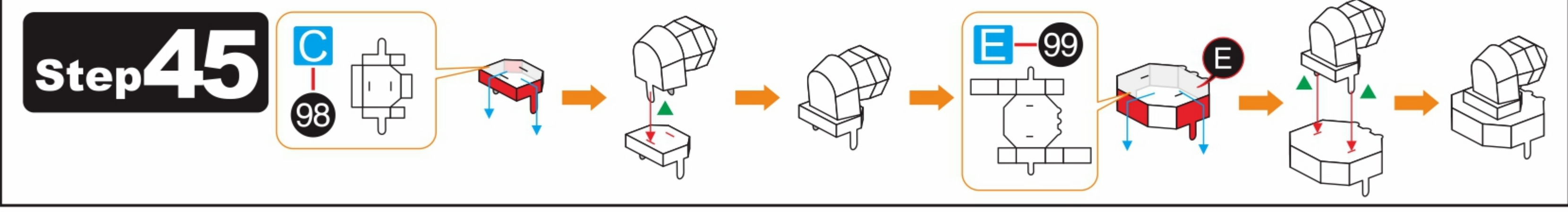
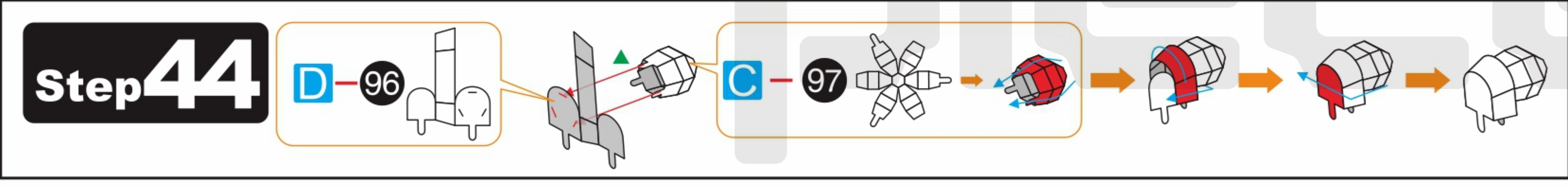
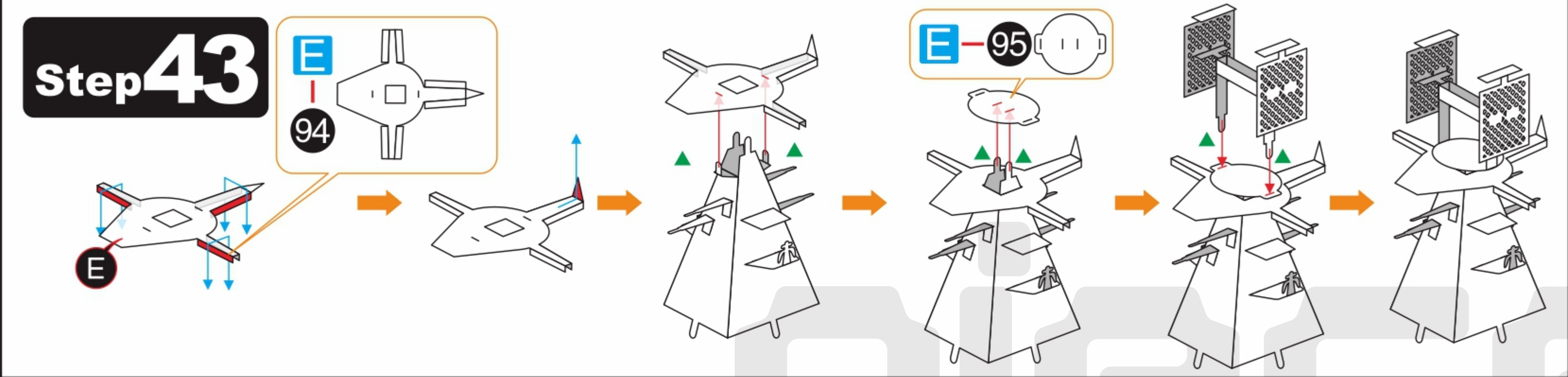
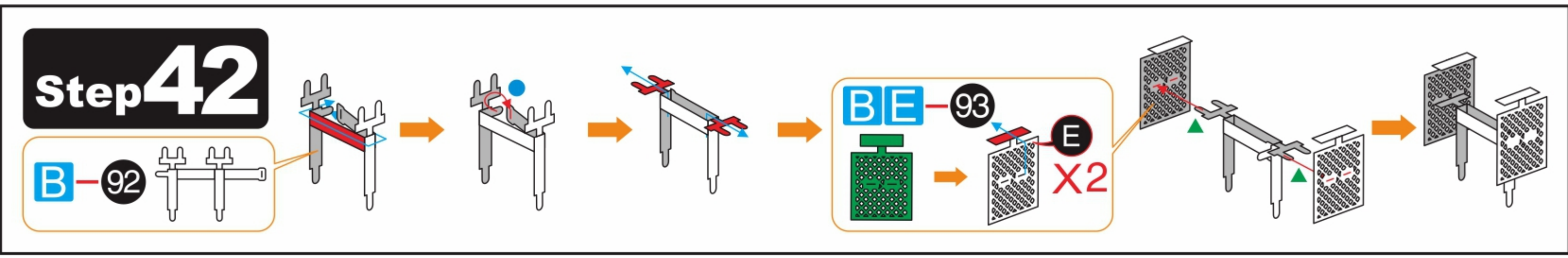
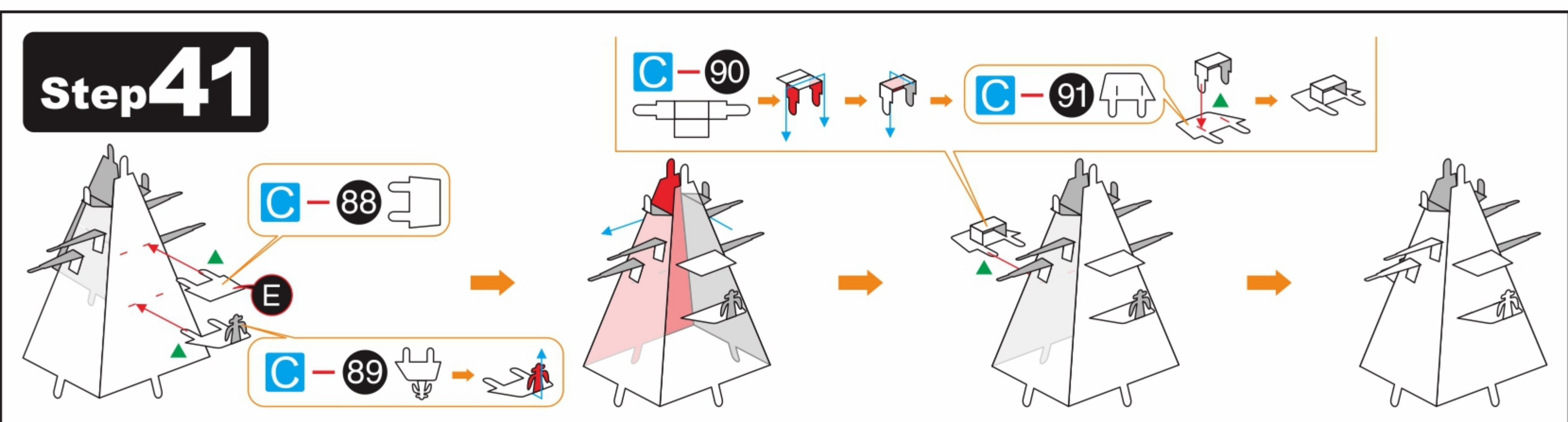
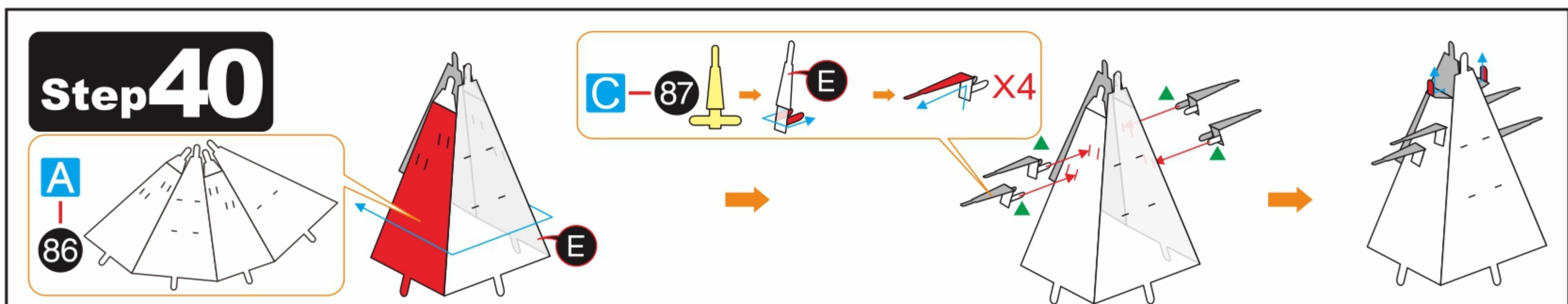
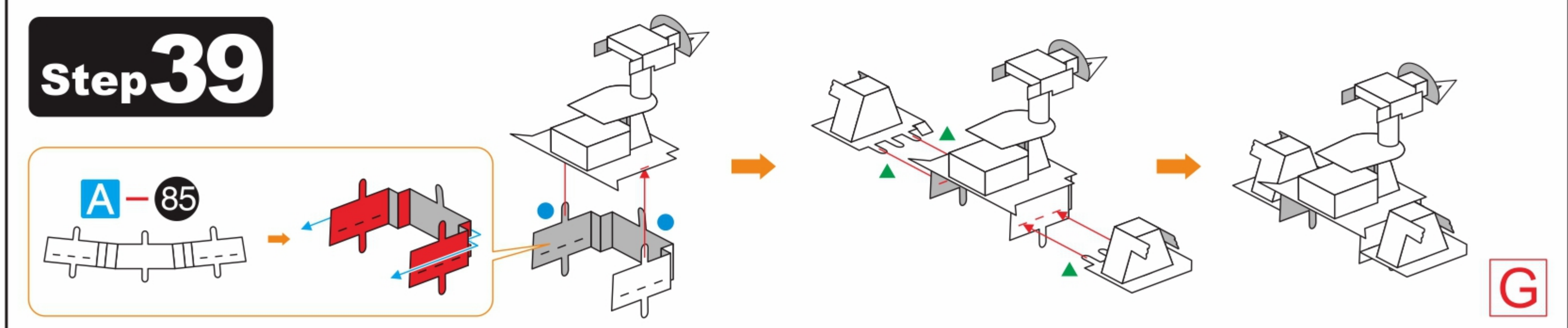
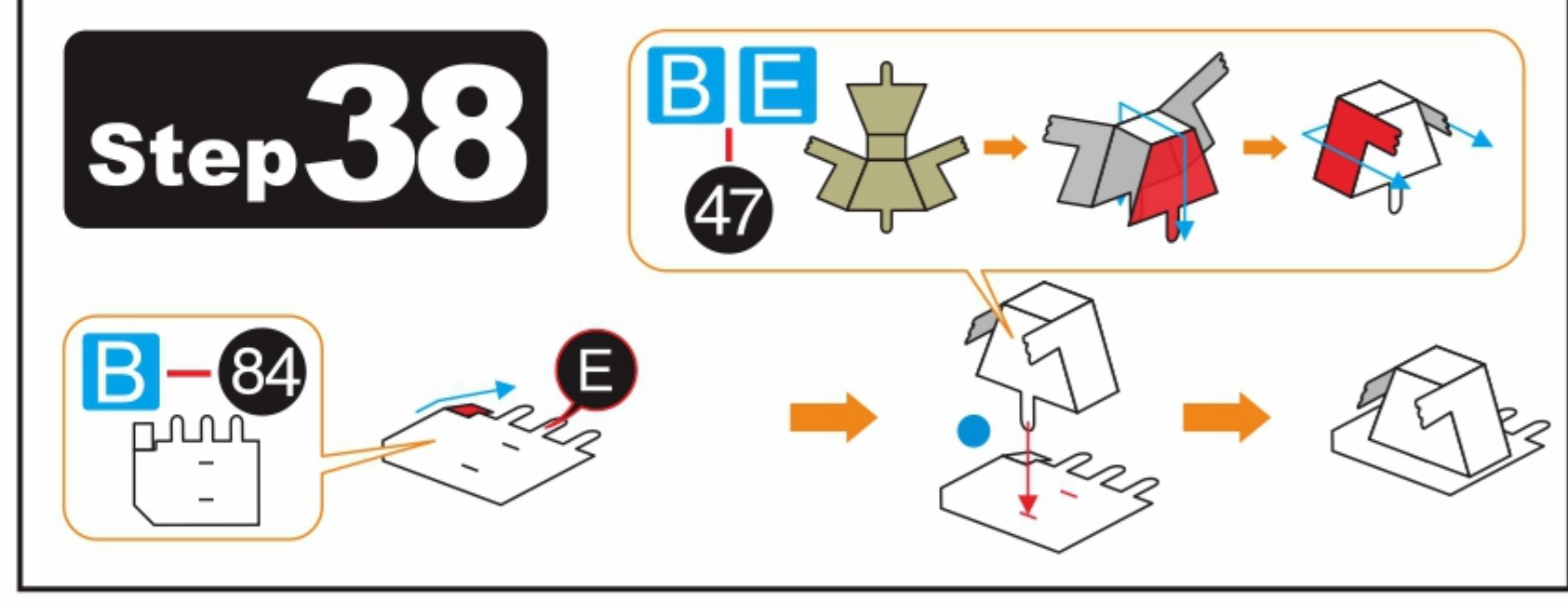
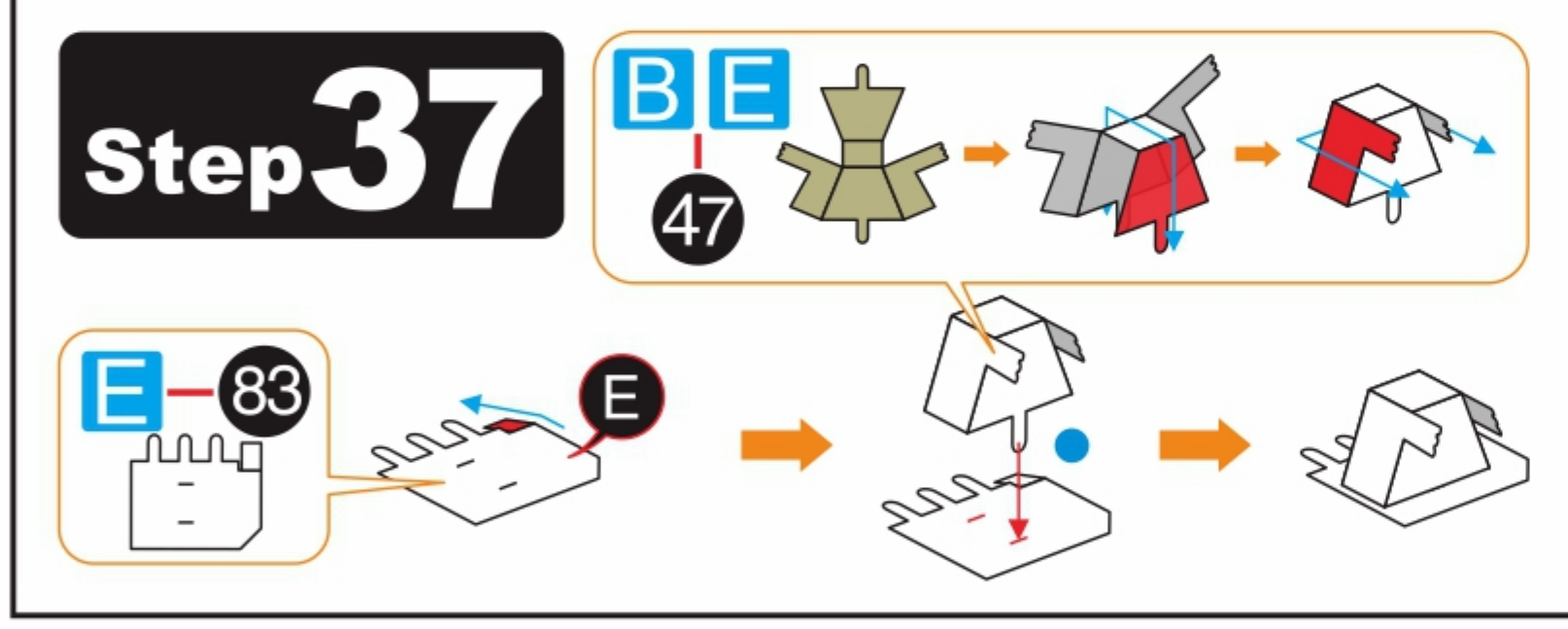
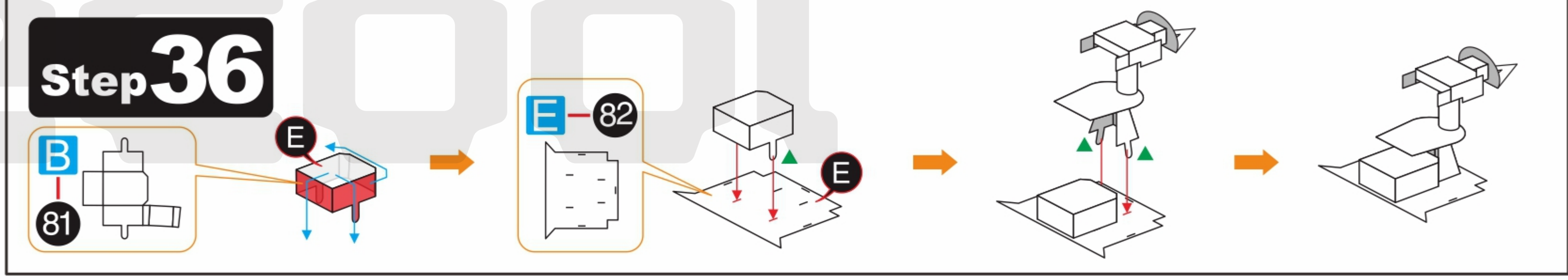
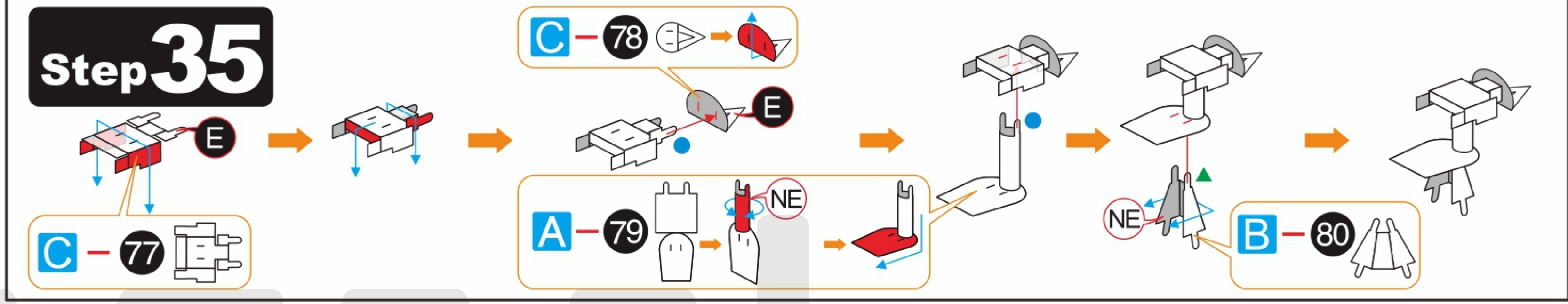
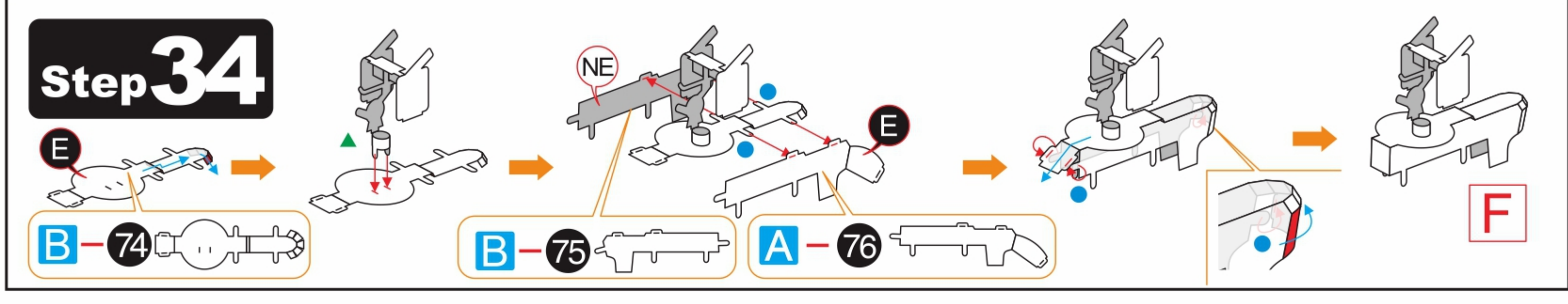
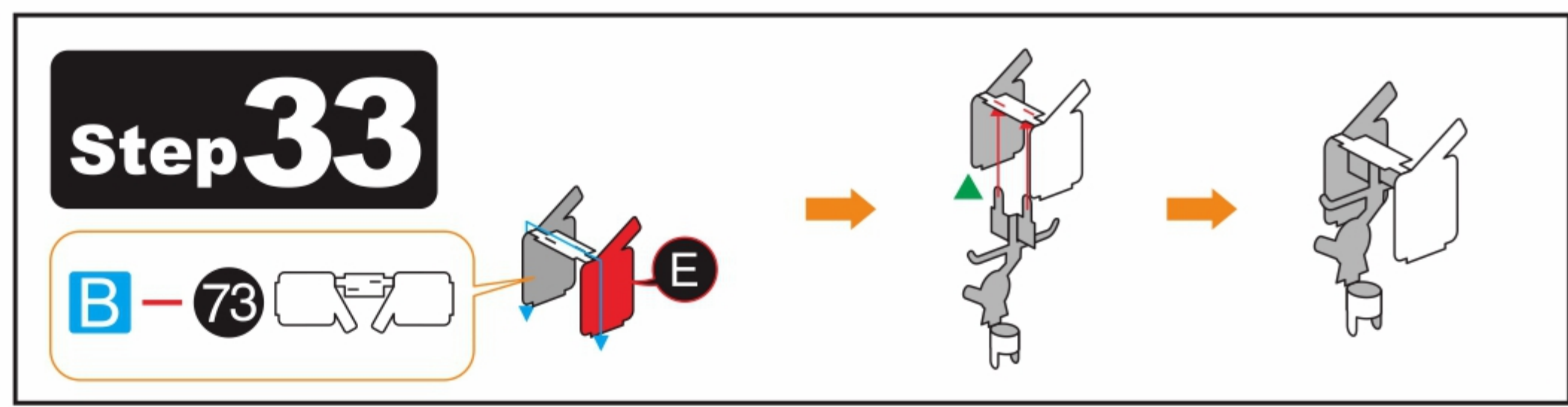
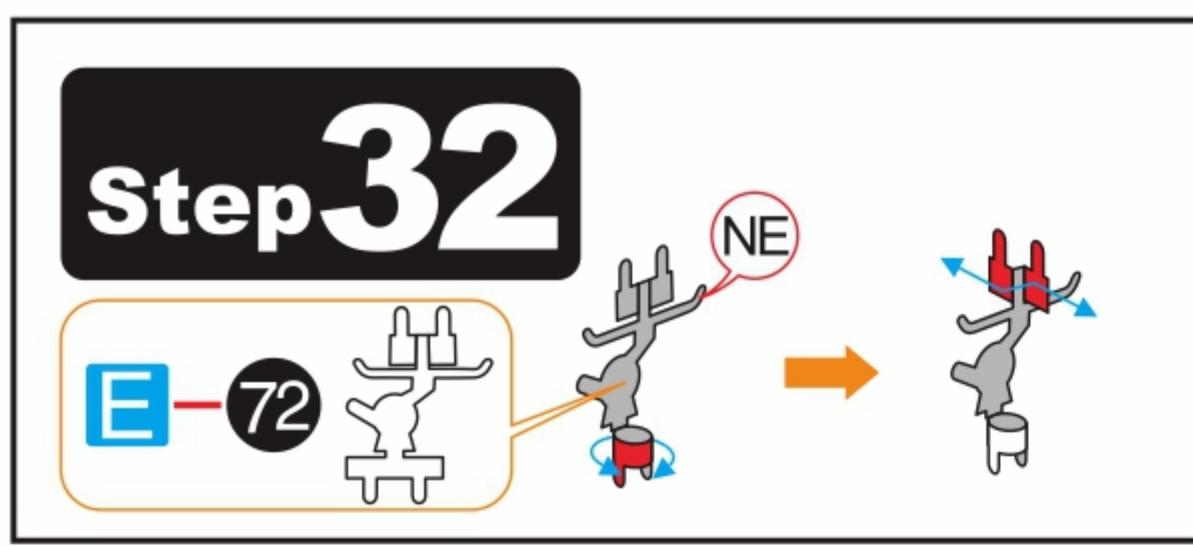
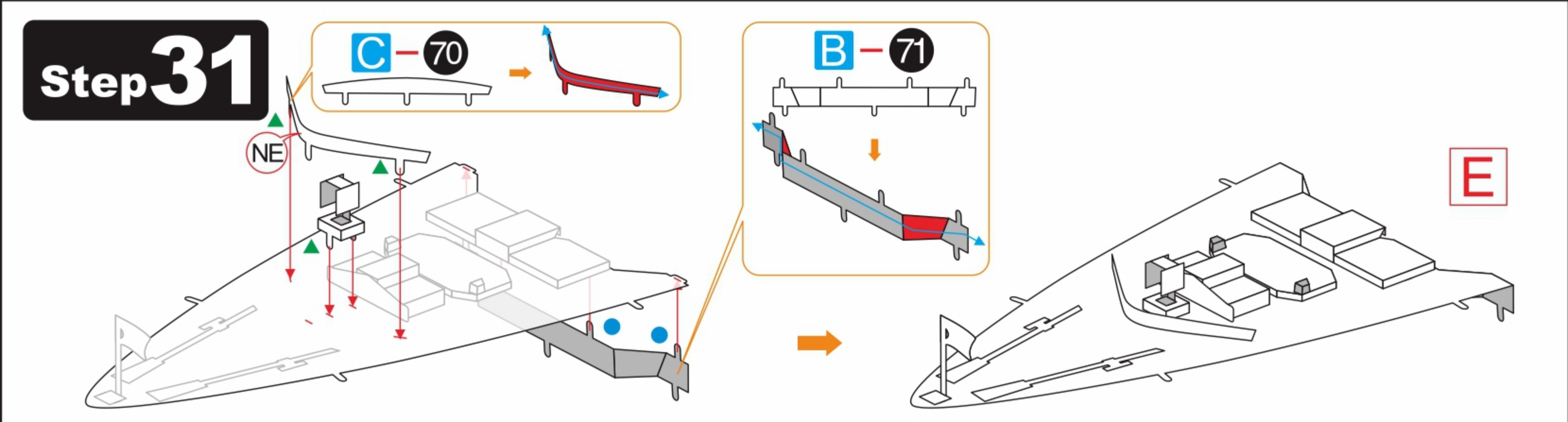
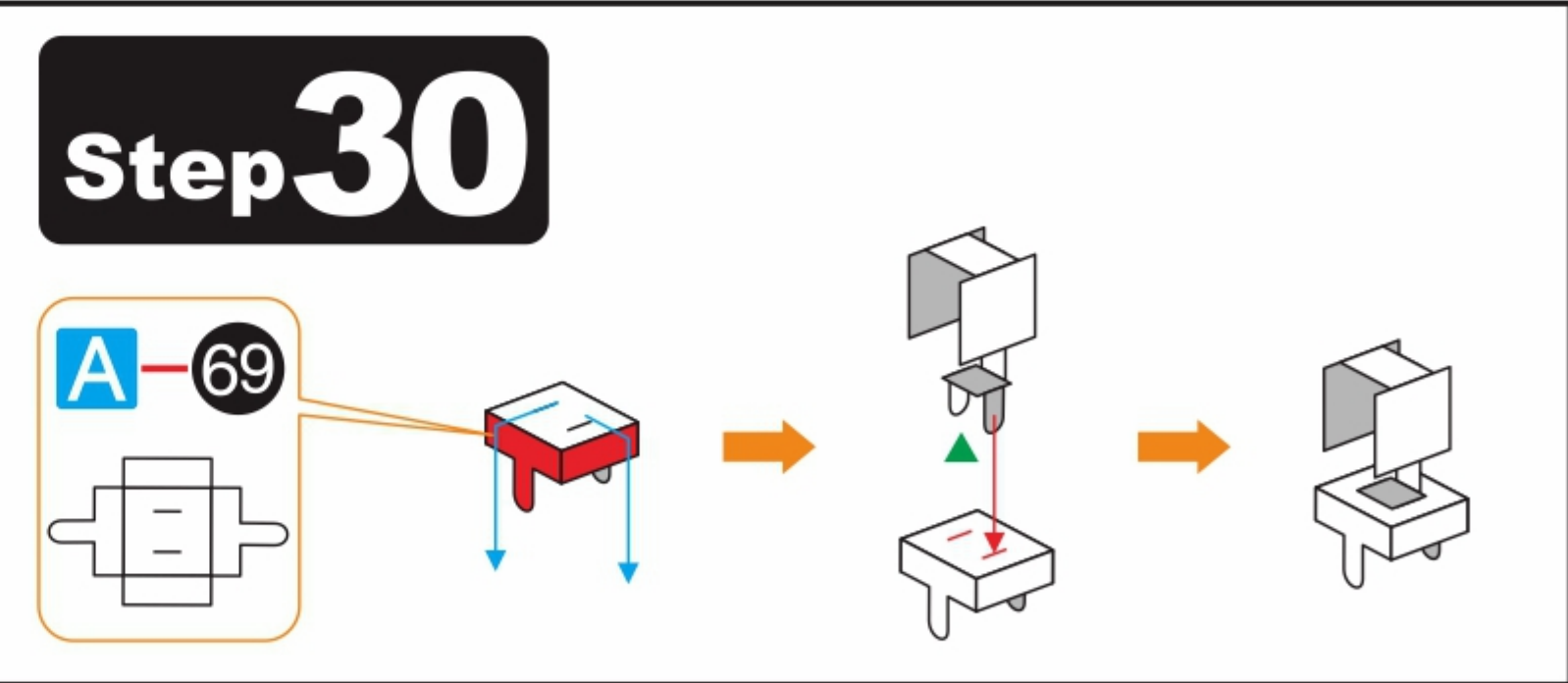
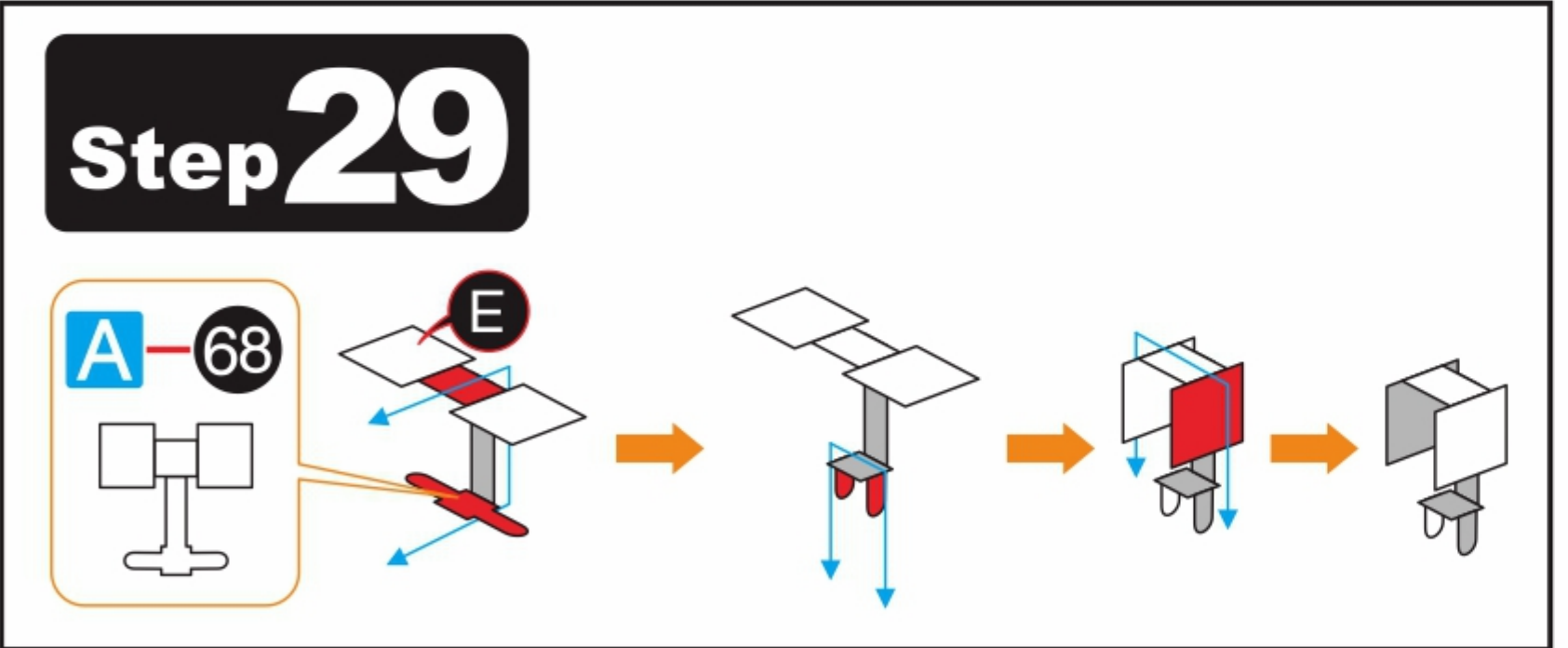
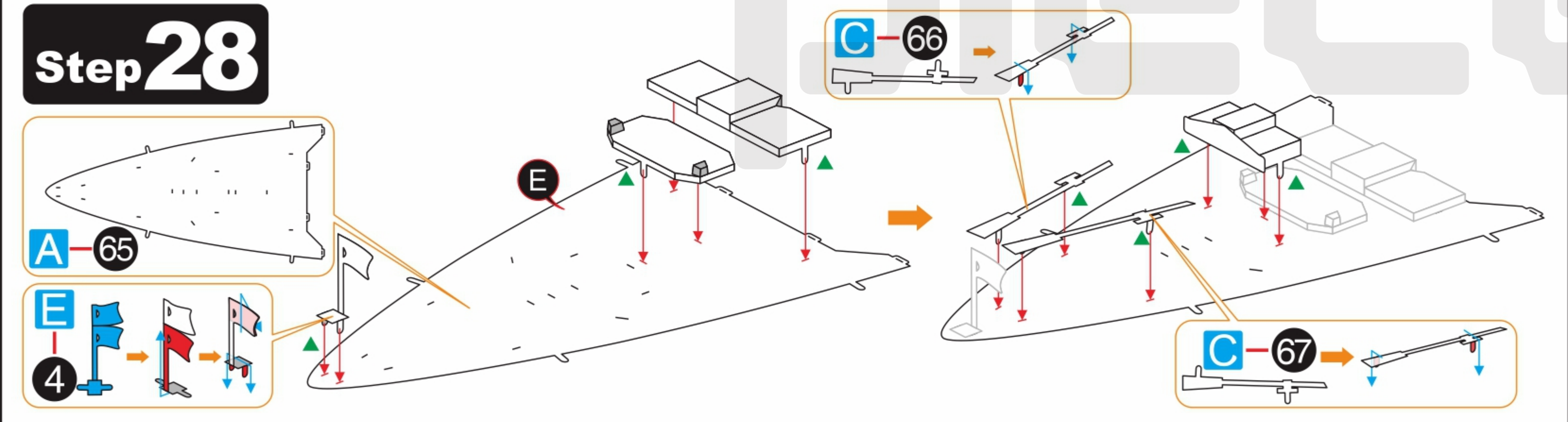
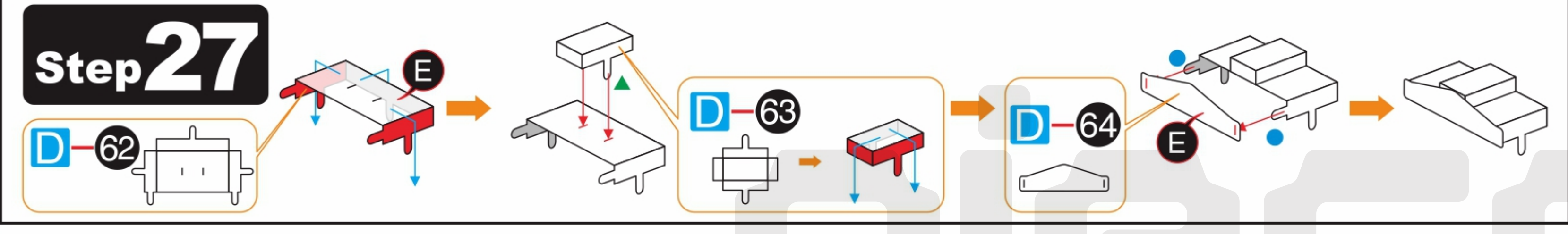
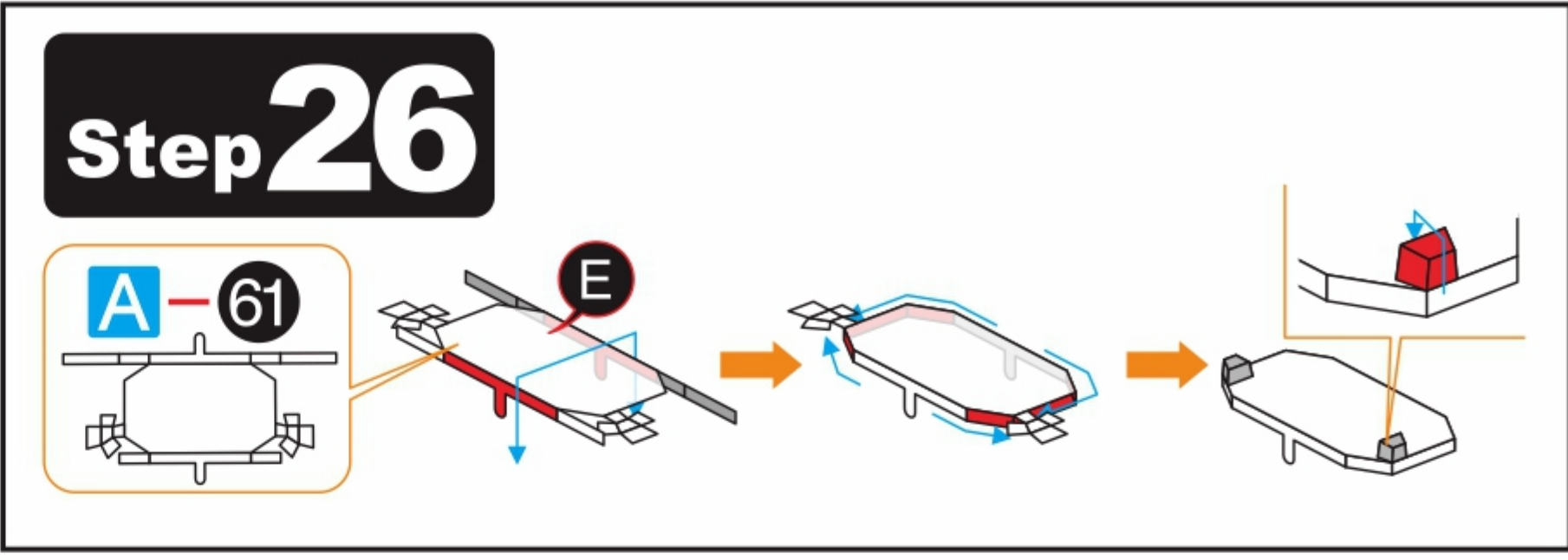
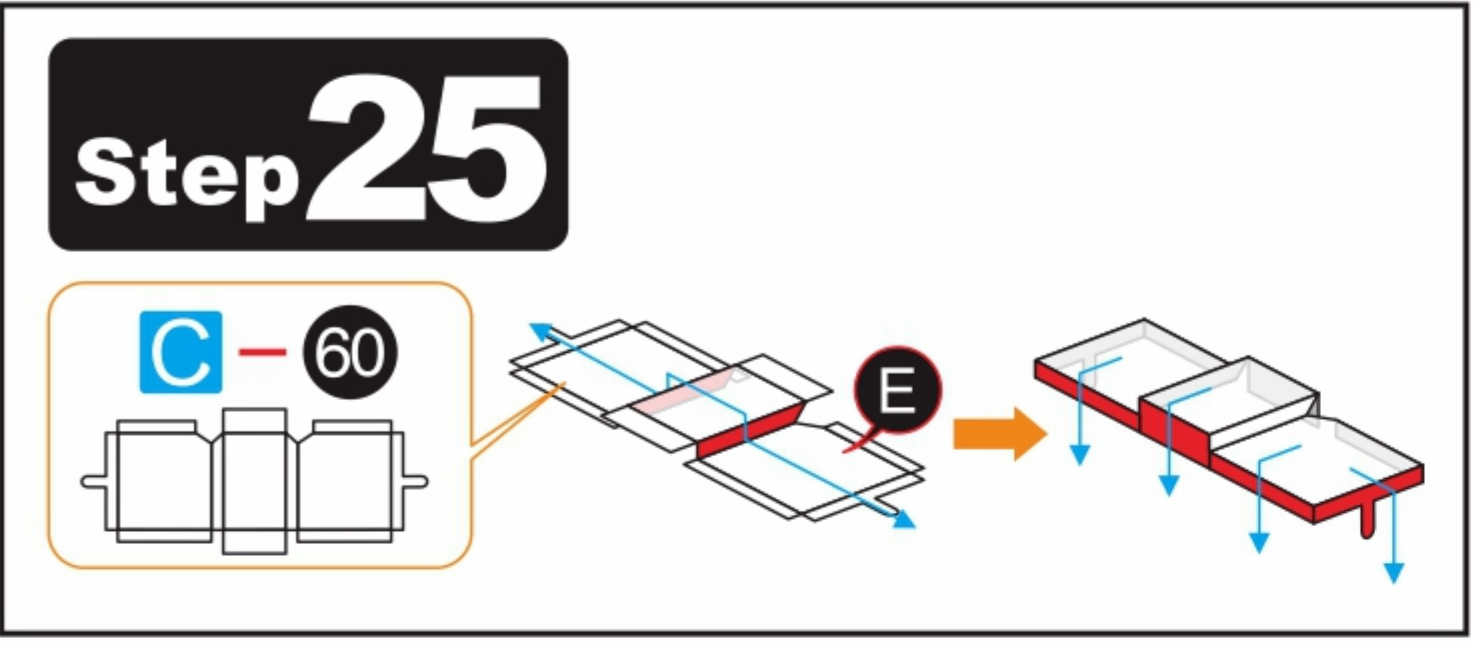
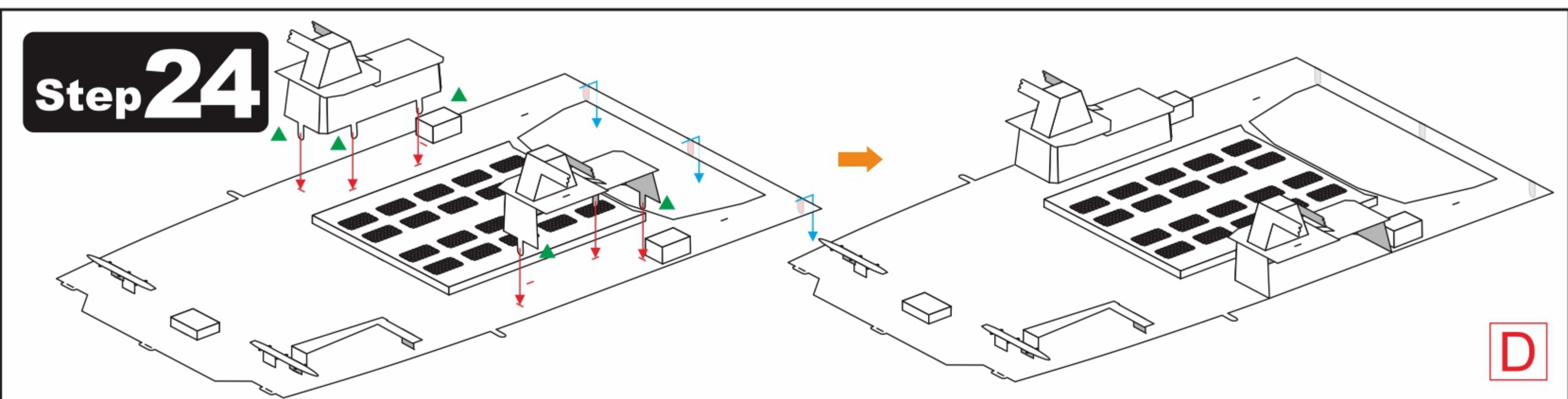
- Engraved / Color side
- Non-engraved / Silver side
- Attention Point
- Keep the parts symmetrical

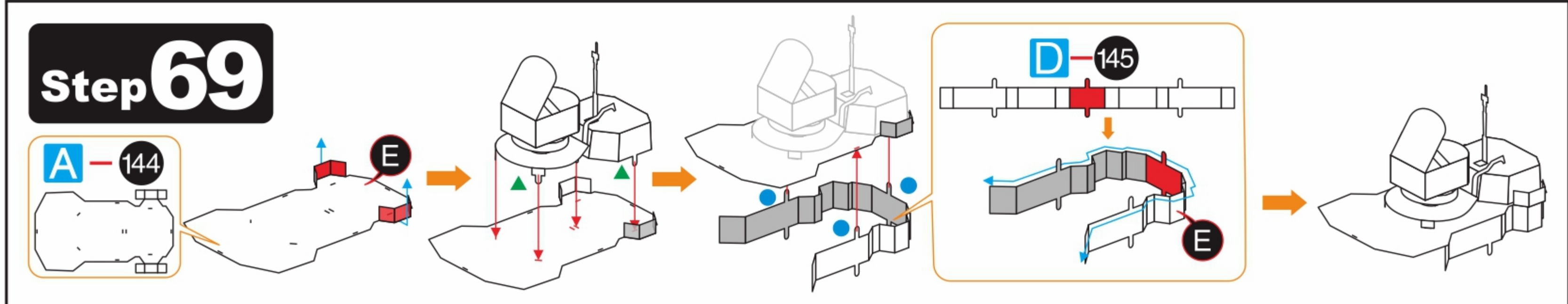
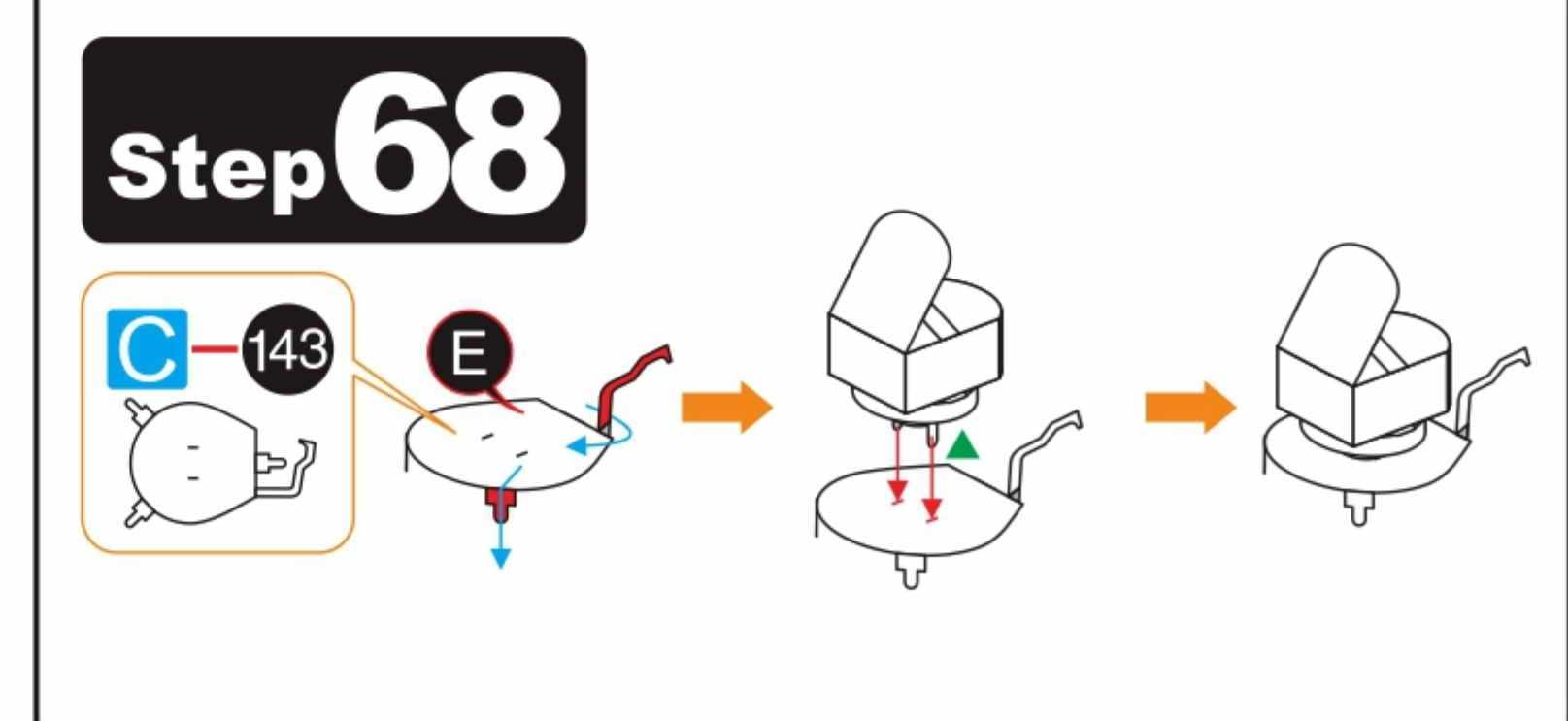
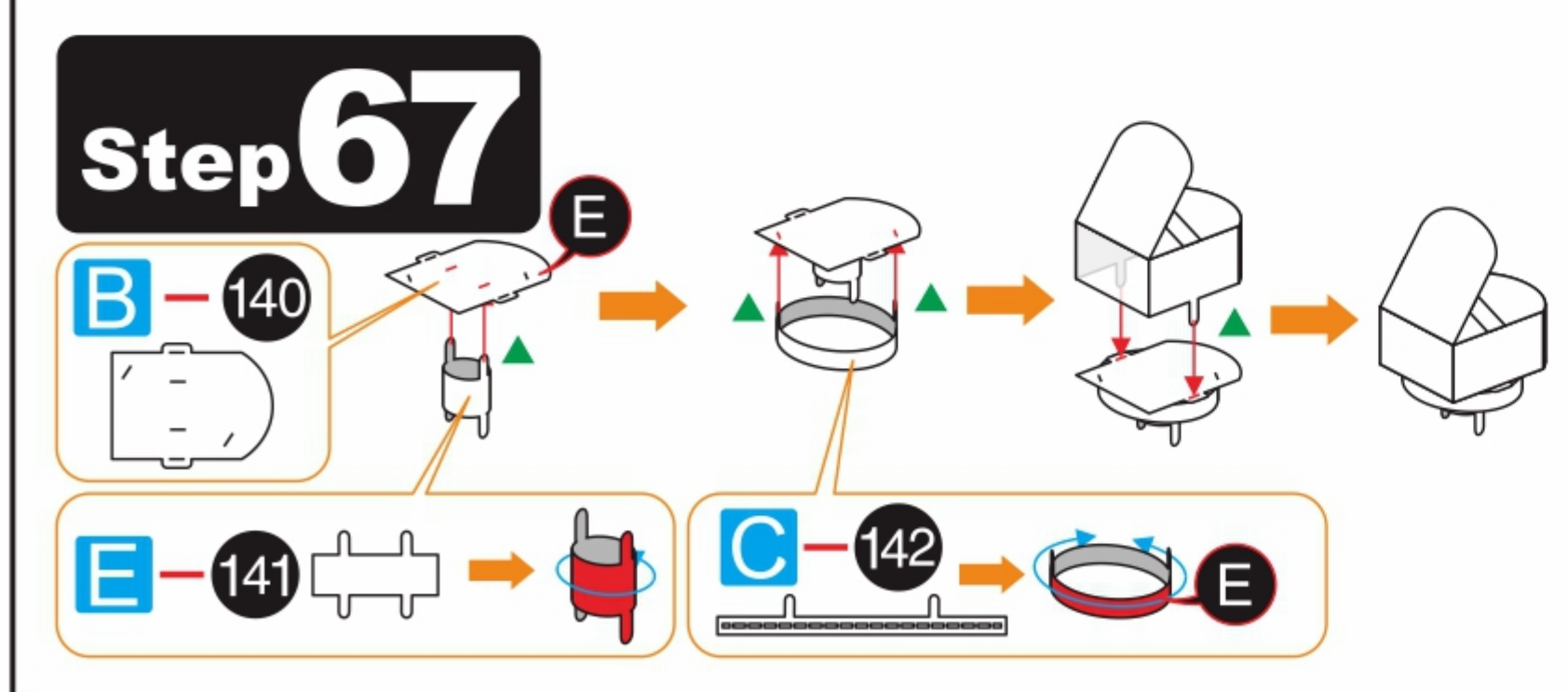
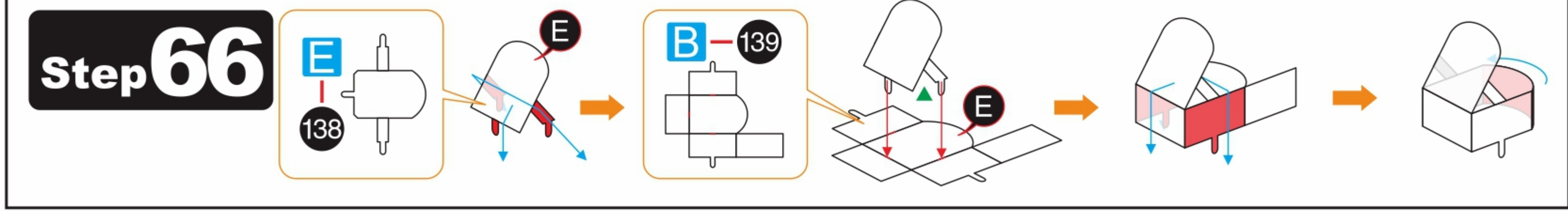
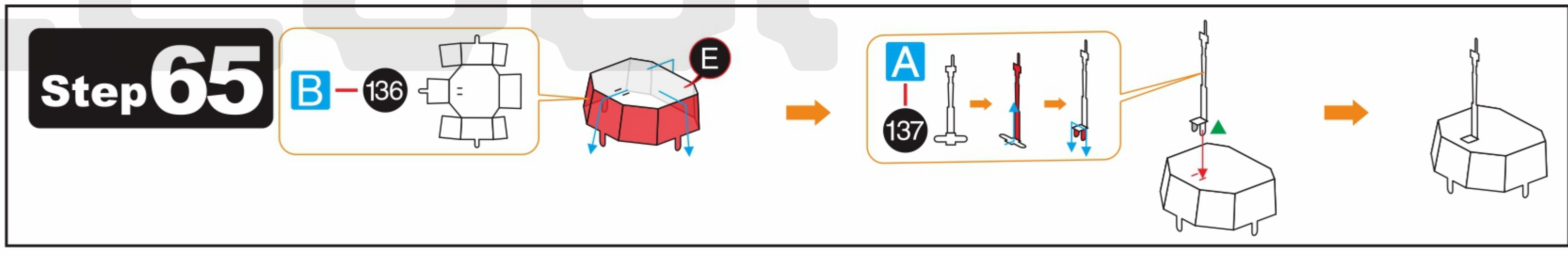
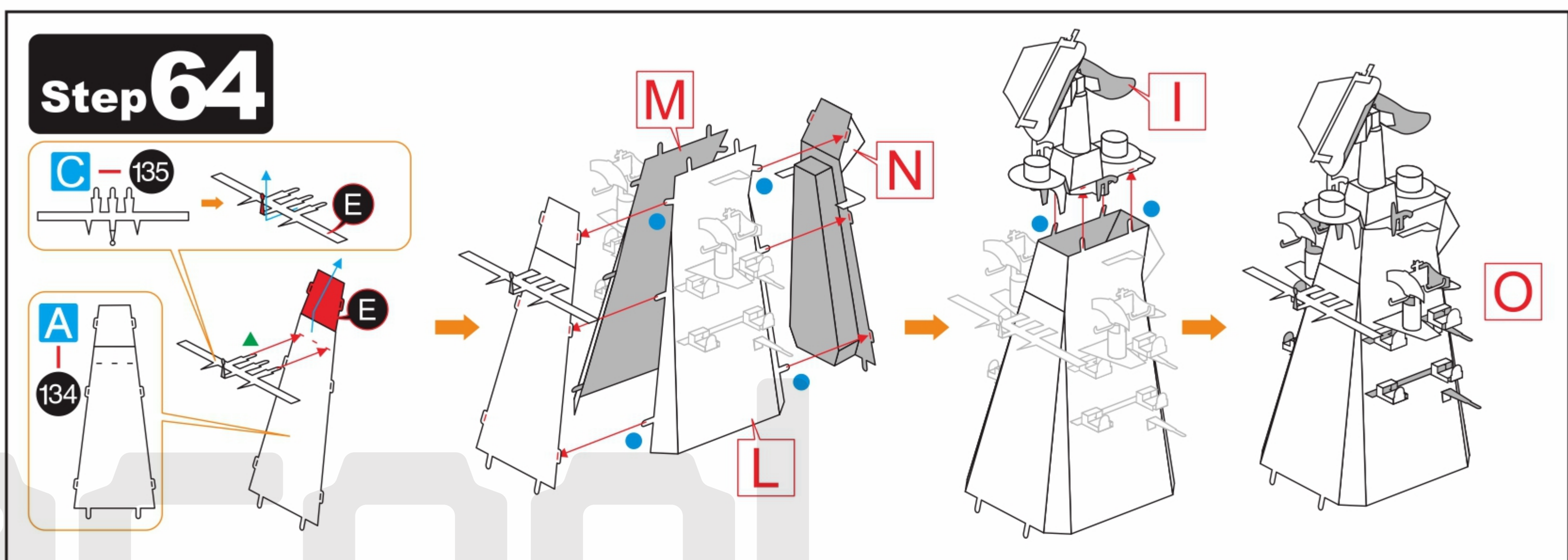
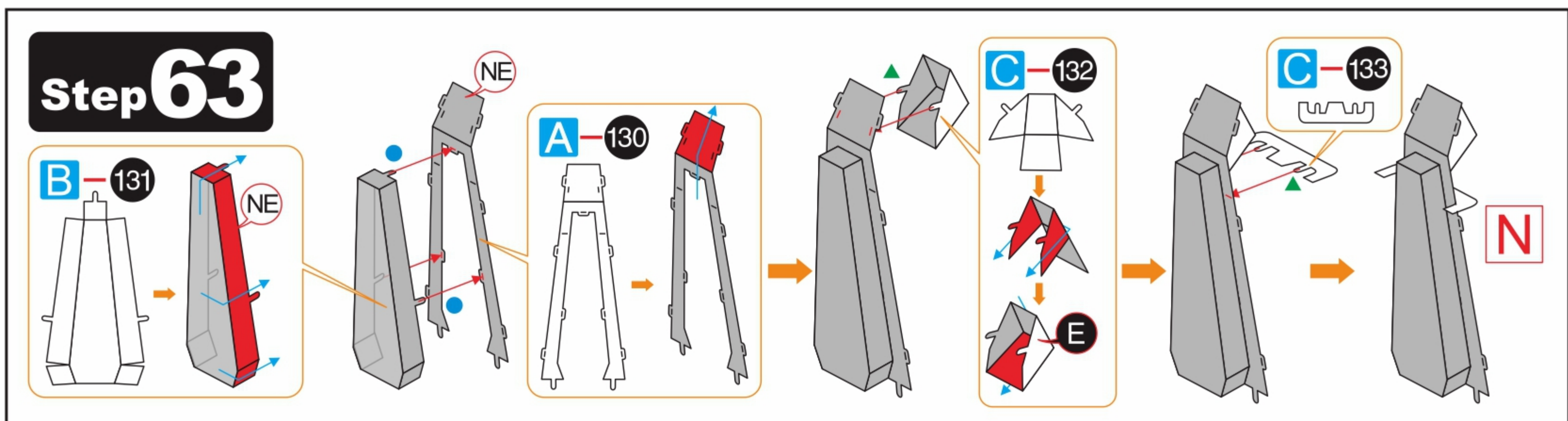
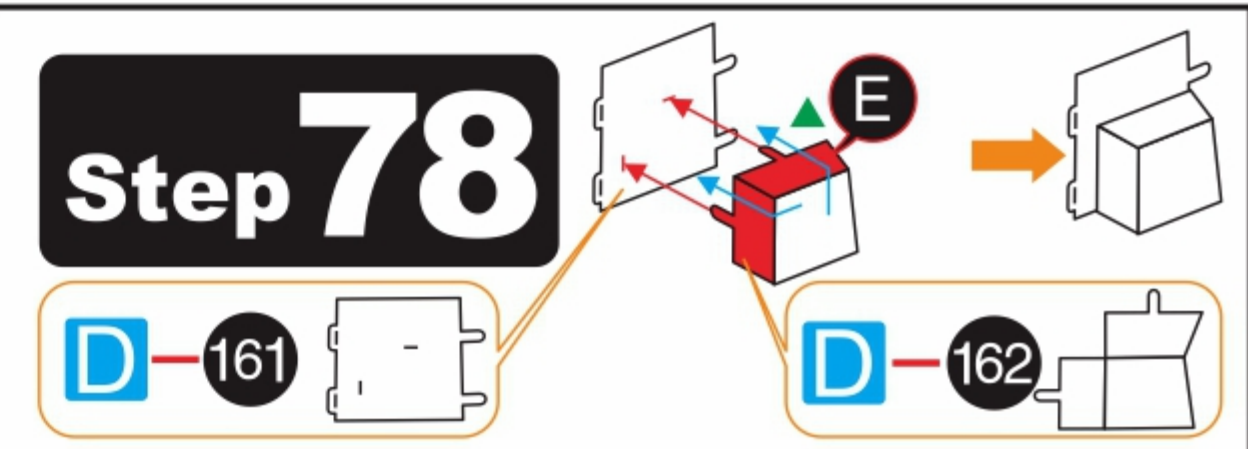
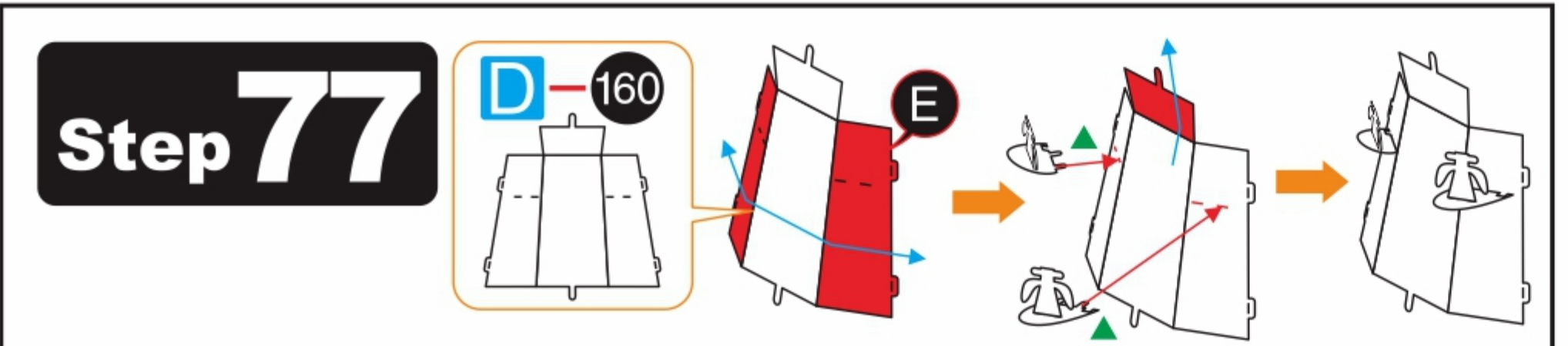
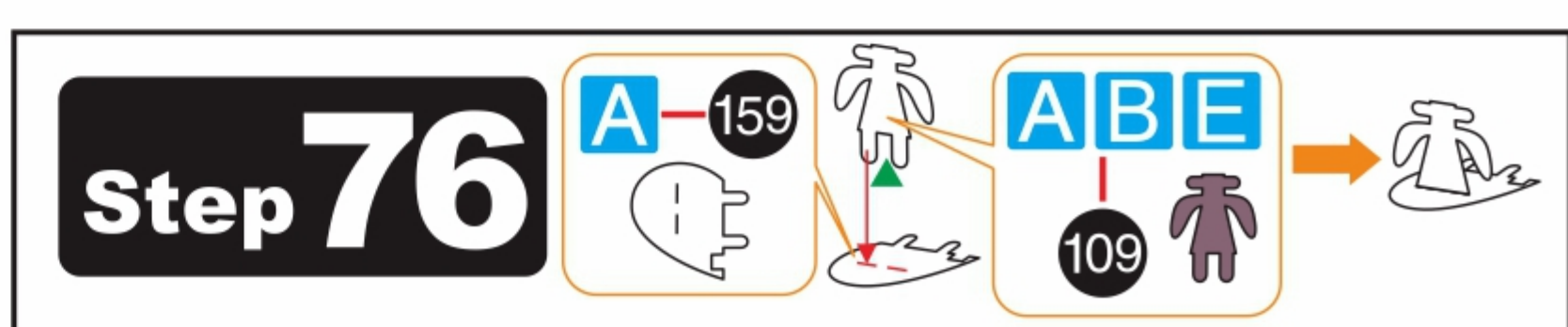
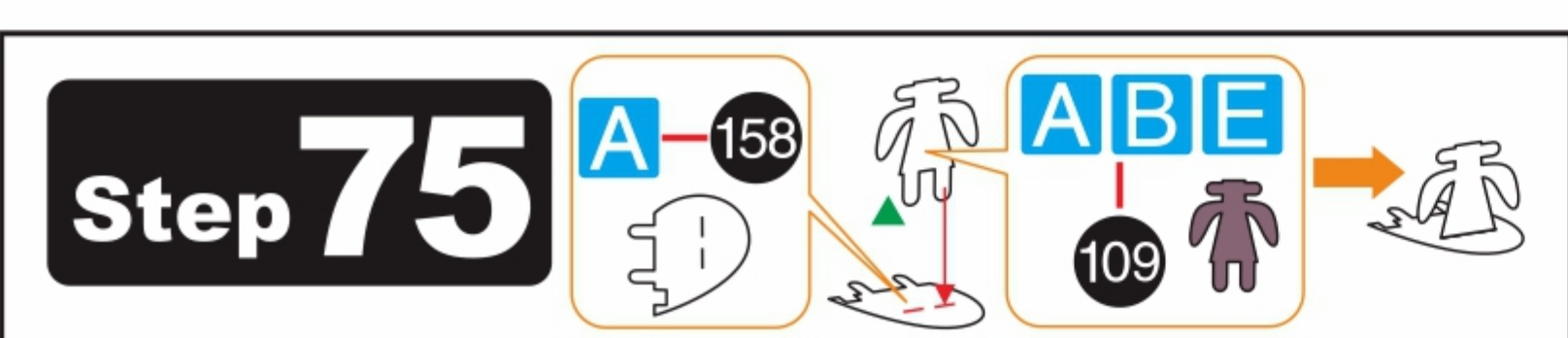
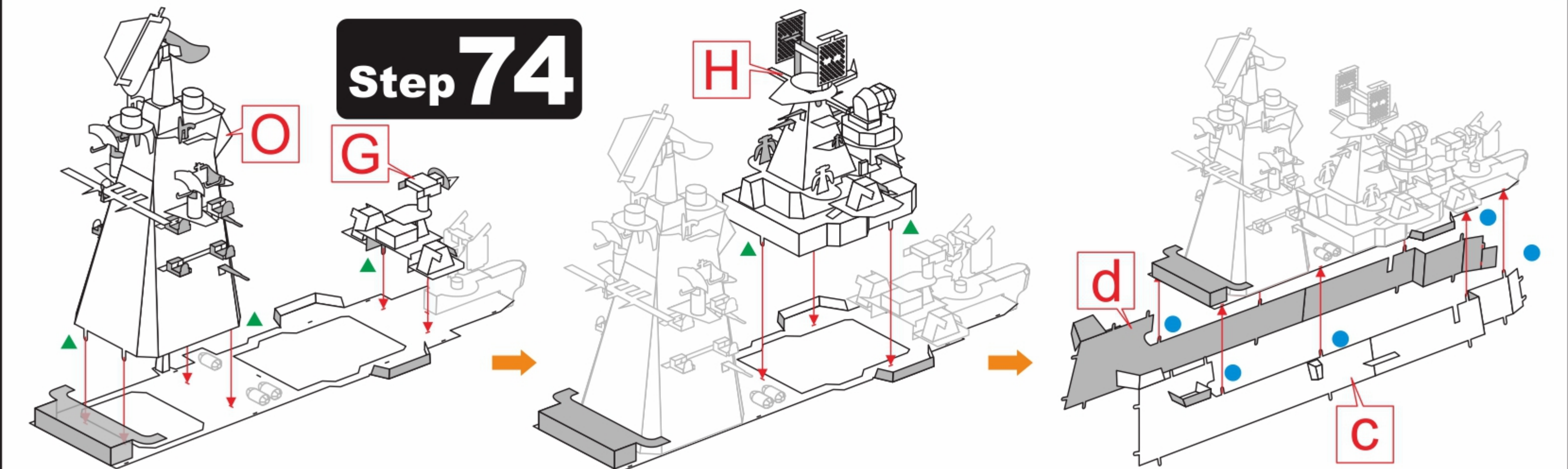
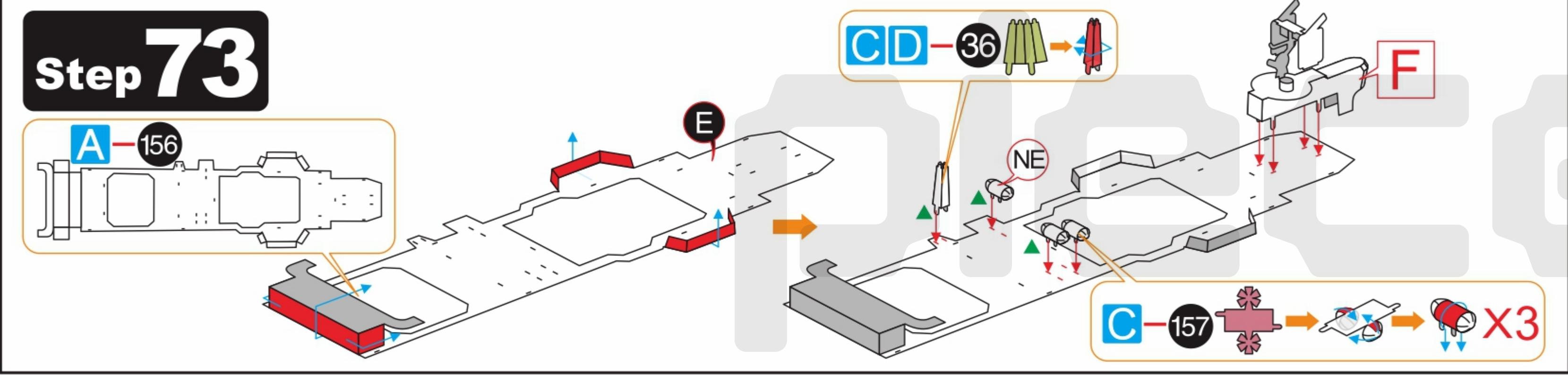
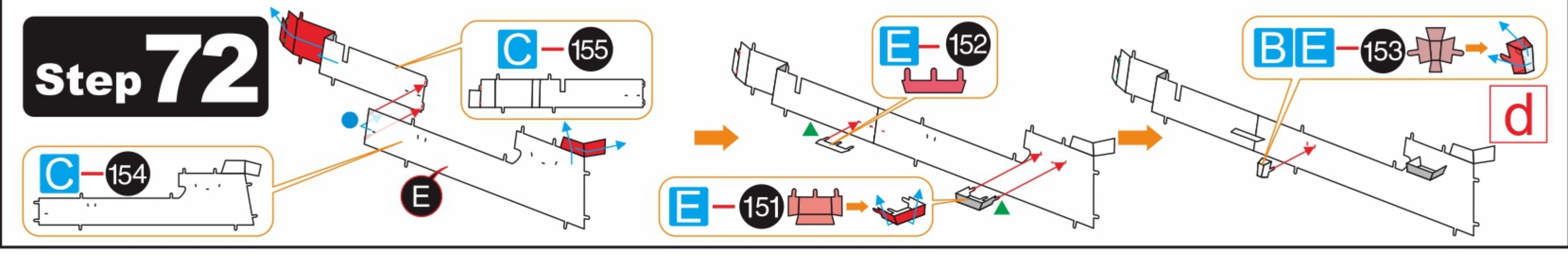
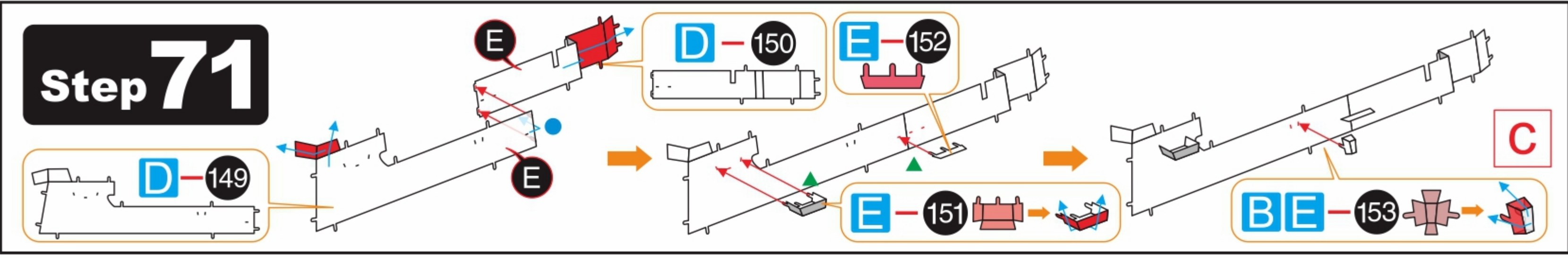
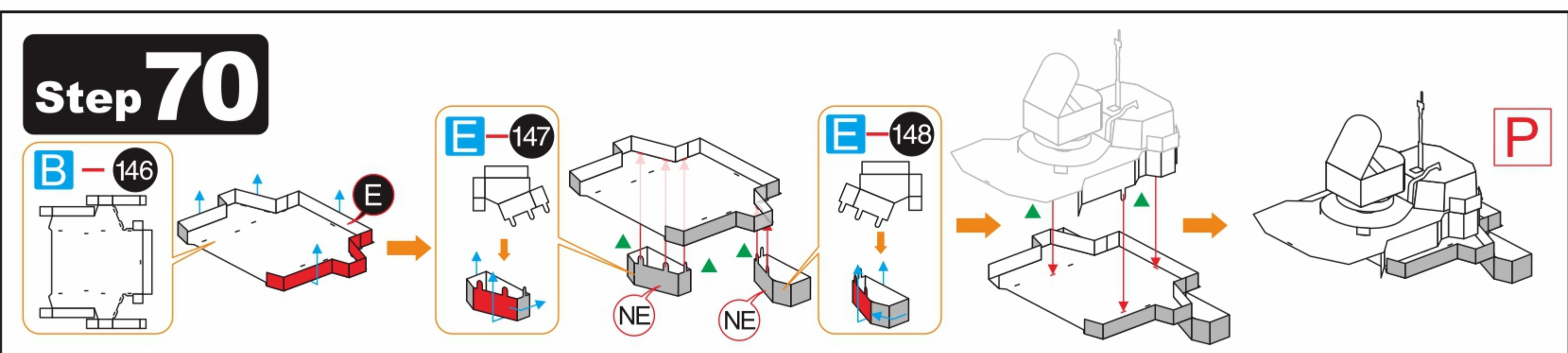
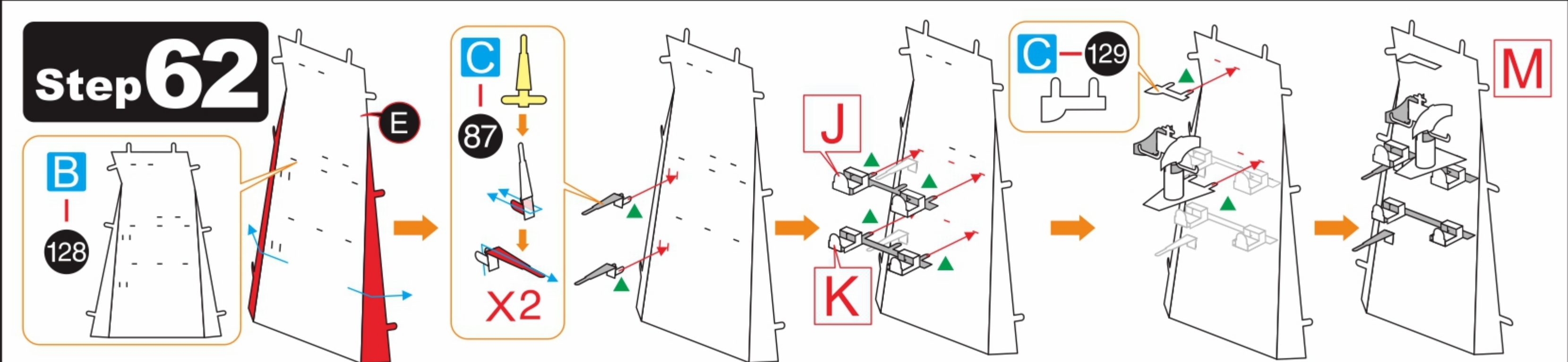
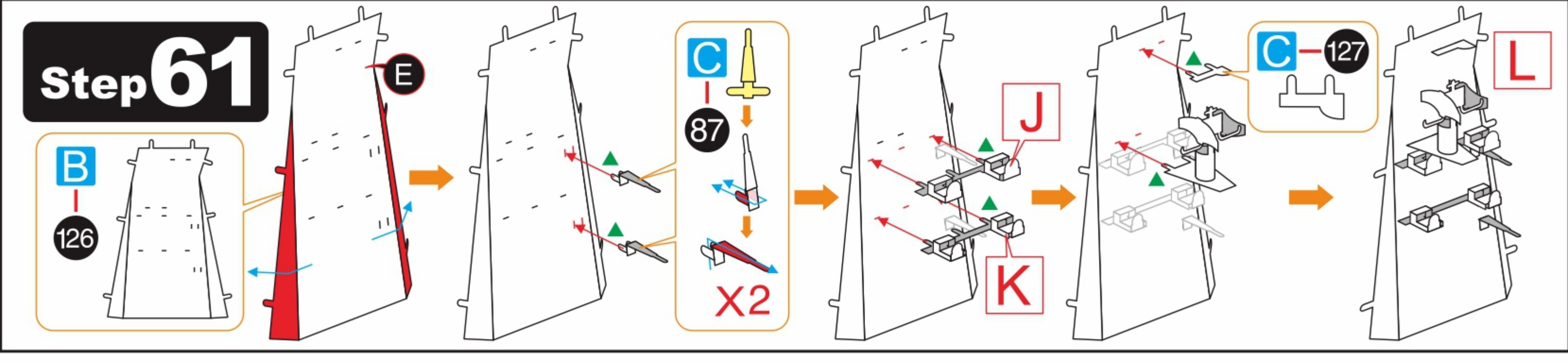
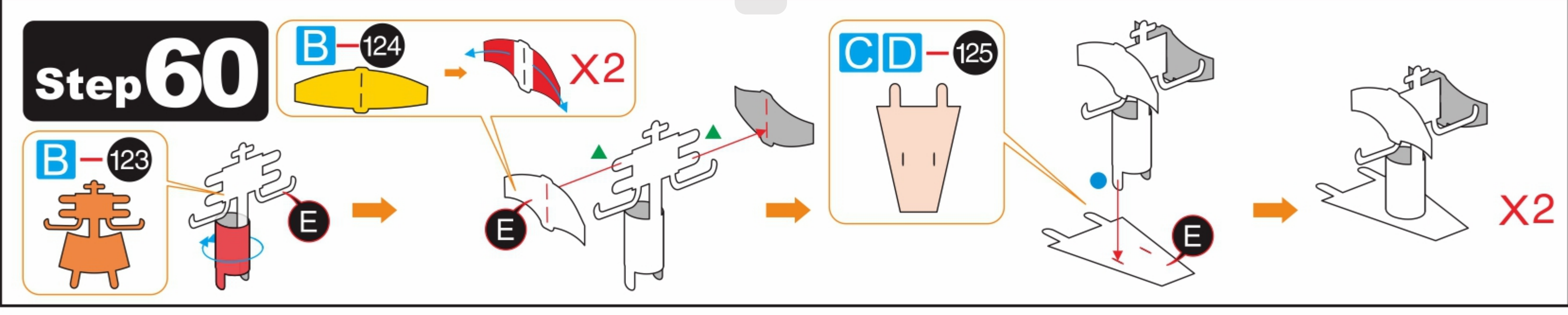
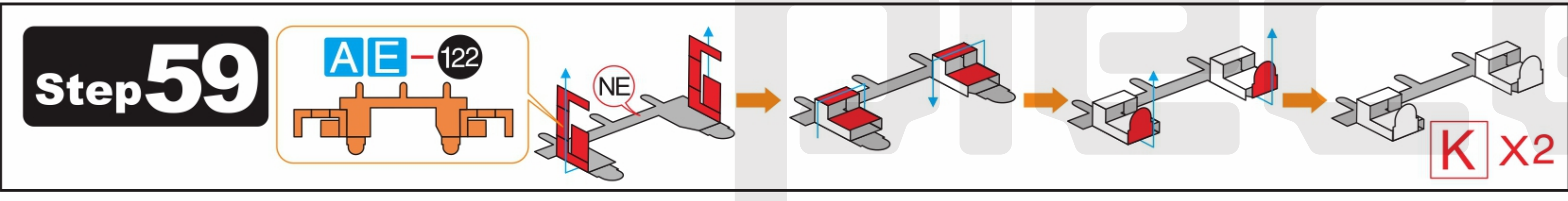
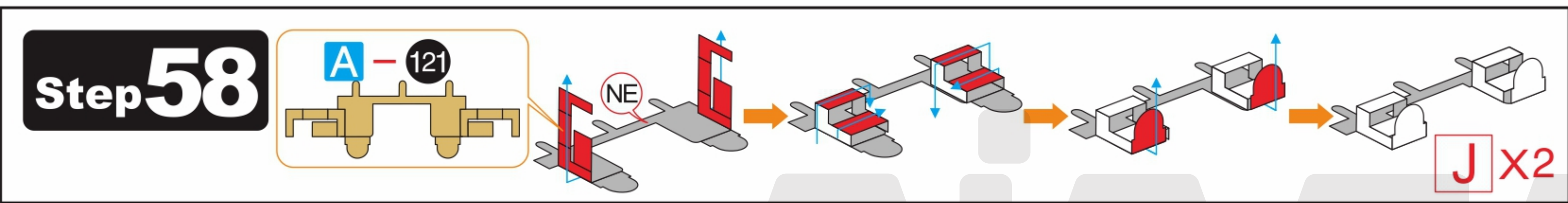
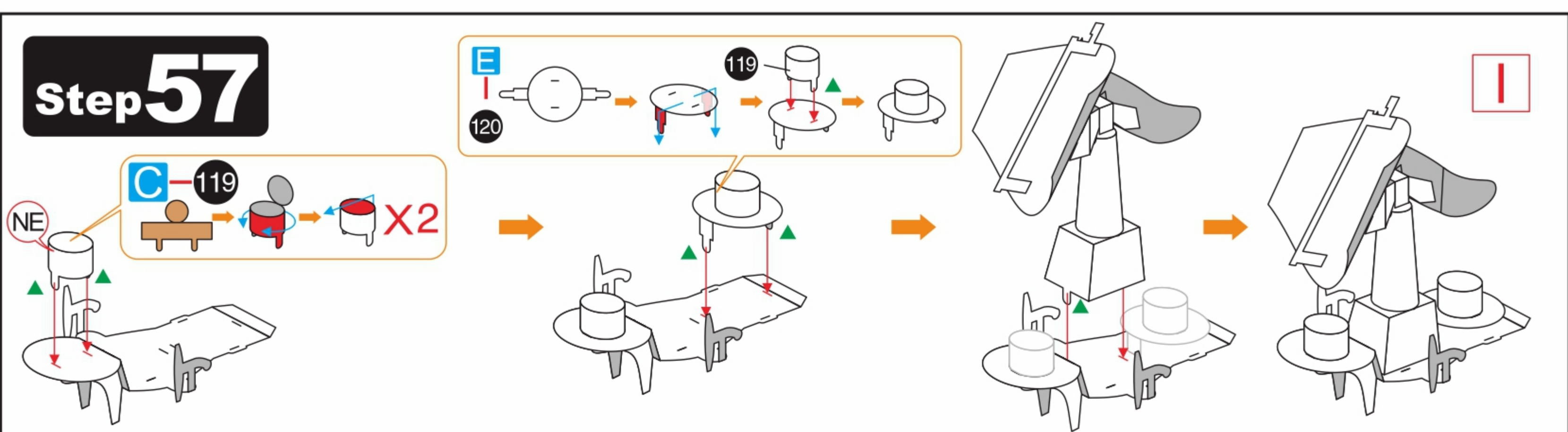
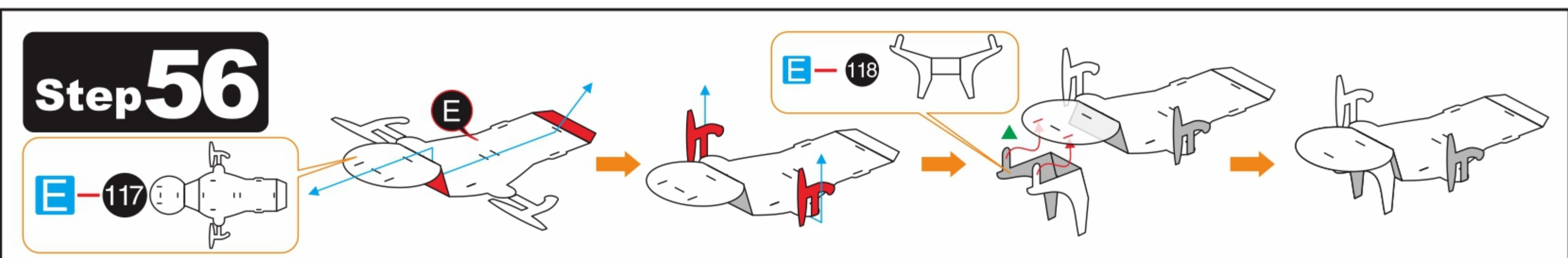
When cutting metal parts, please do not cut the "insert tab" as "nozzle position". Only cut the parts of the current step when cutting the parts. Do not cut all the parts at one time to avoid loss.

When encountering the parts of the folding line, please pay attention to the front and back of the metal sheet and the direction of the folding. According to the direction indicated in the instruction, cut lightly and fold slowly. It is best to fold it once. Do not fold it repeatedly to avoid damage to the parts.

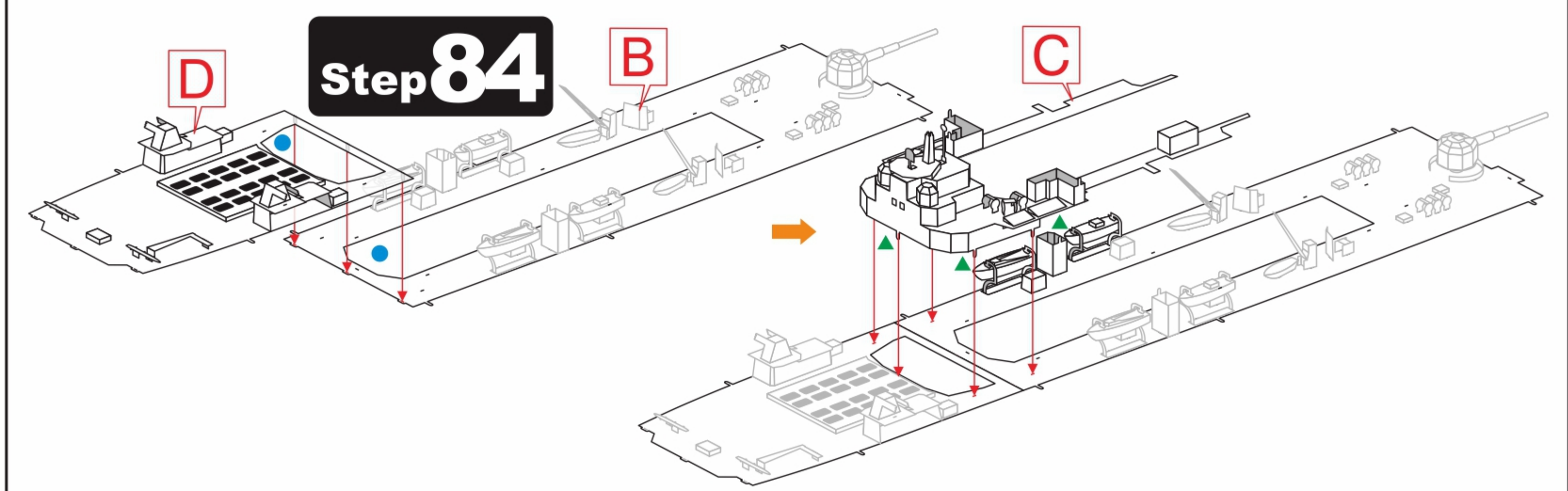
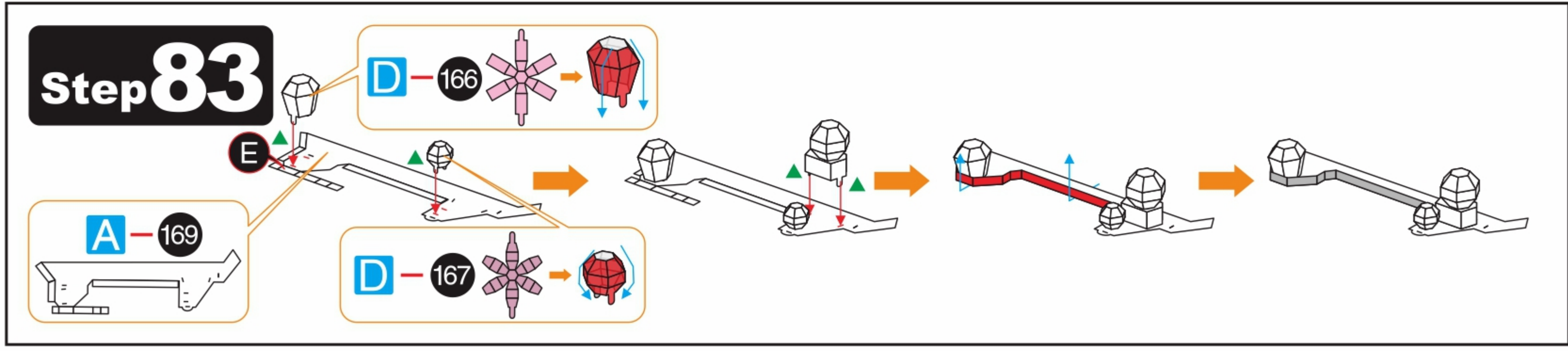
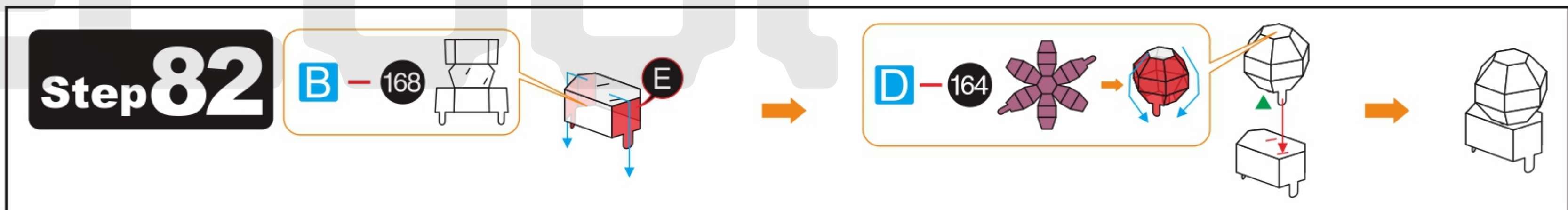
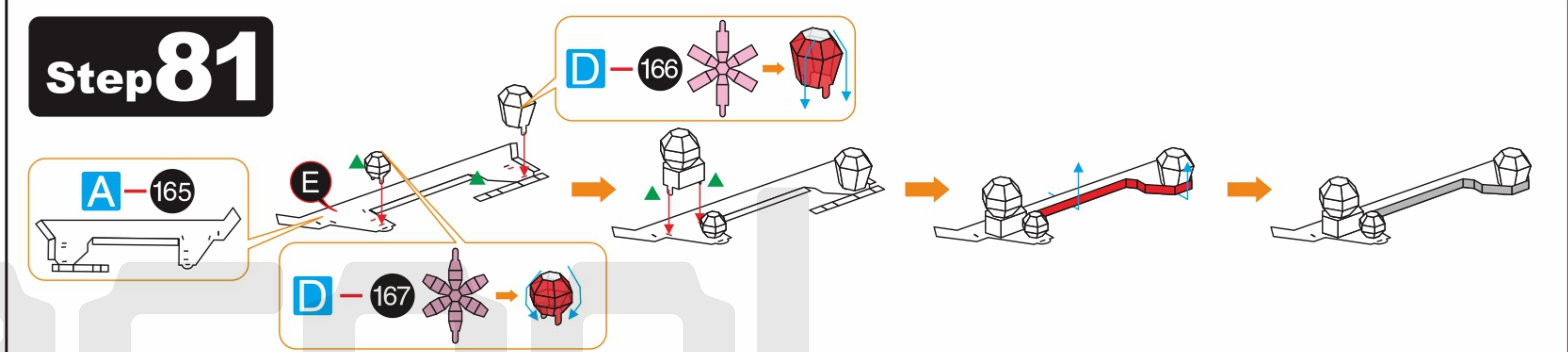
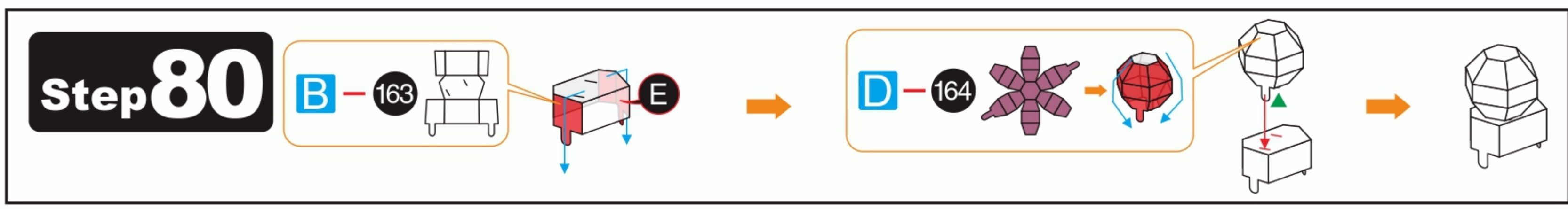
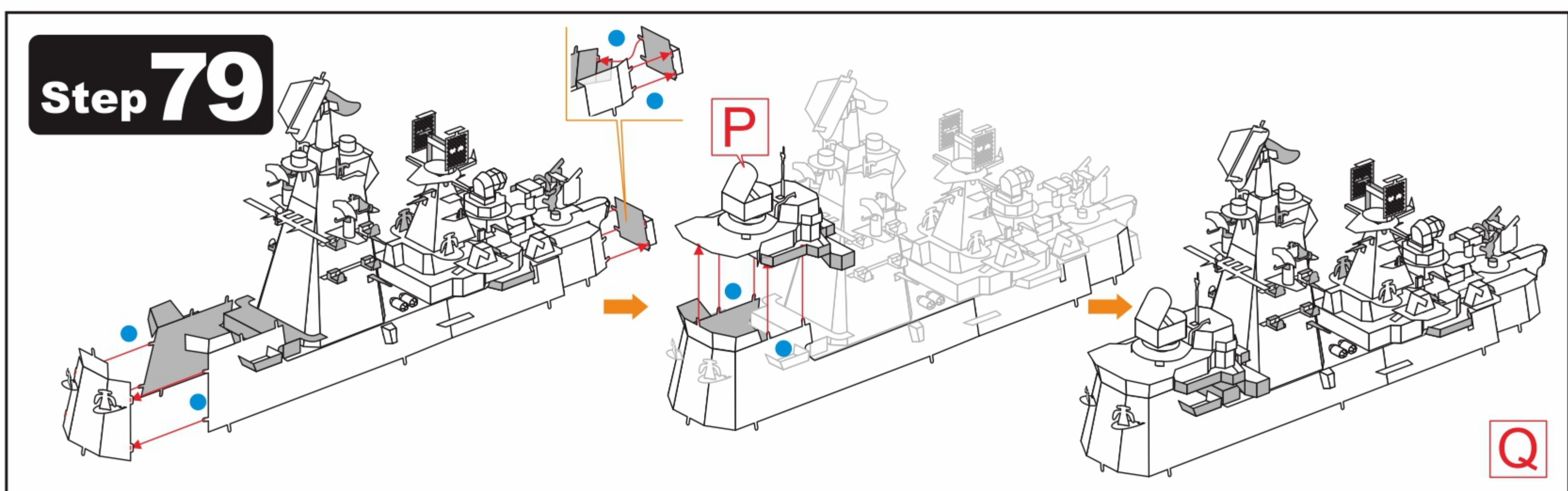
Assembly Flow Chart

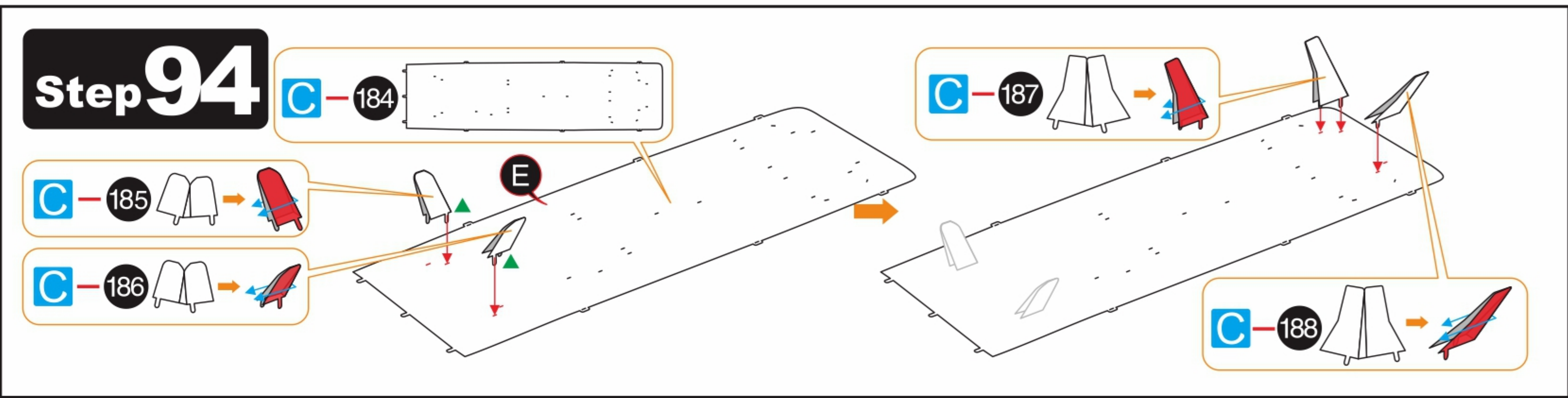
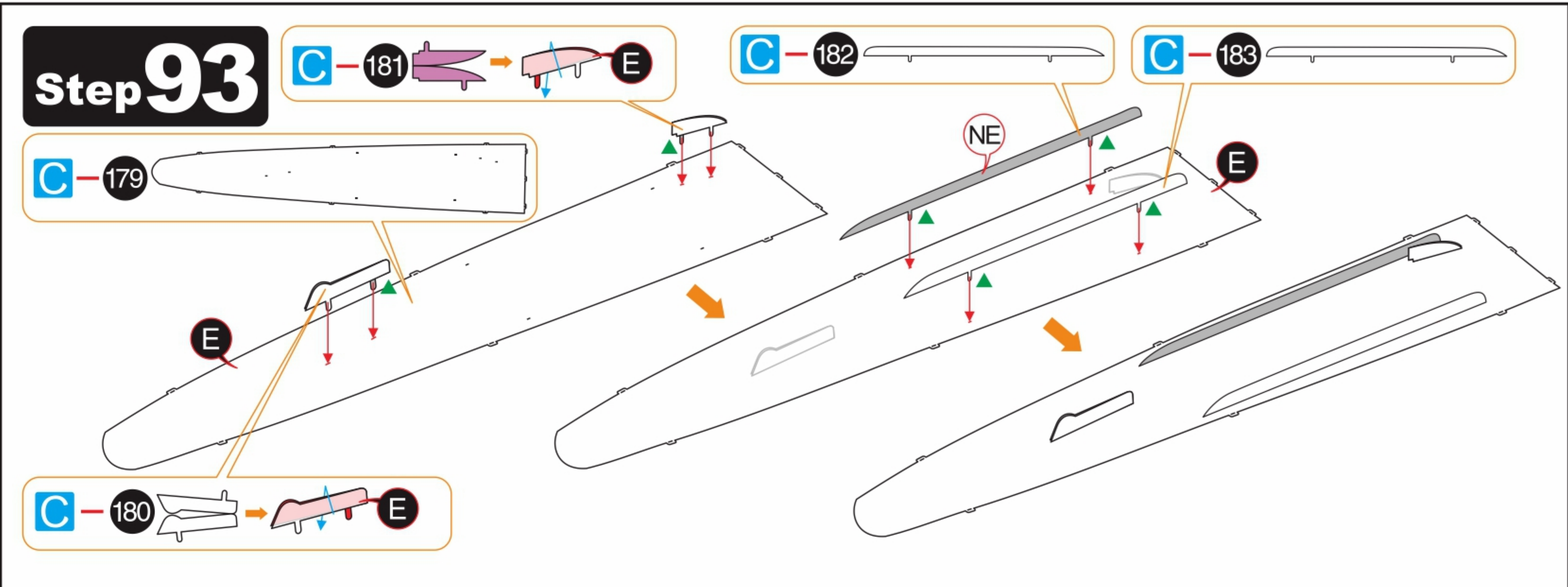
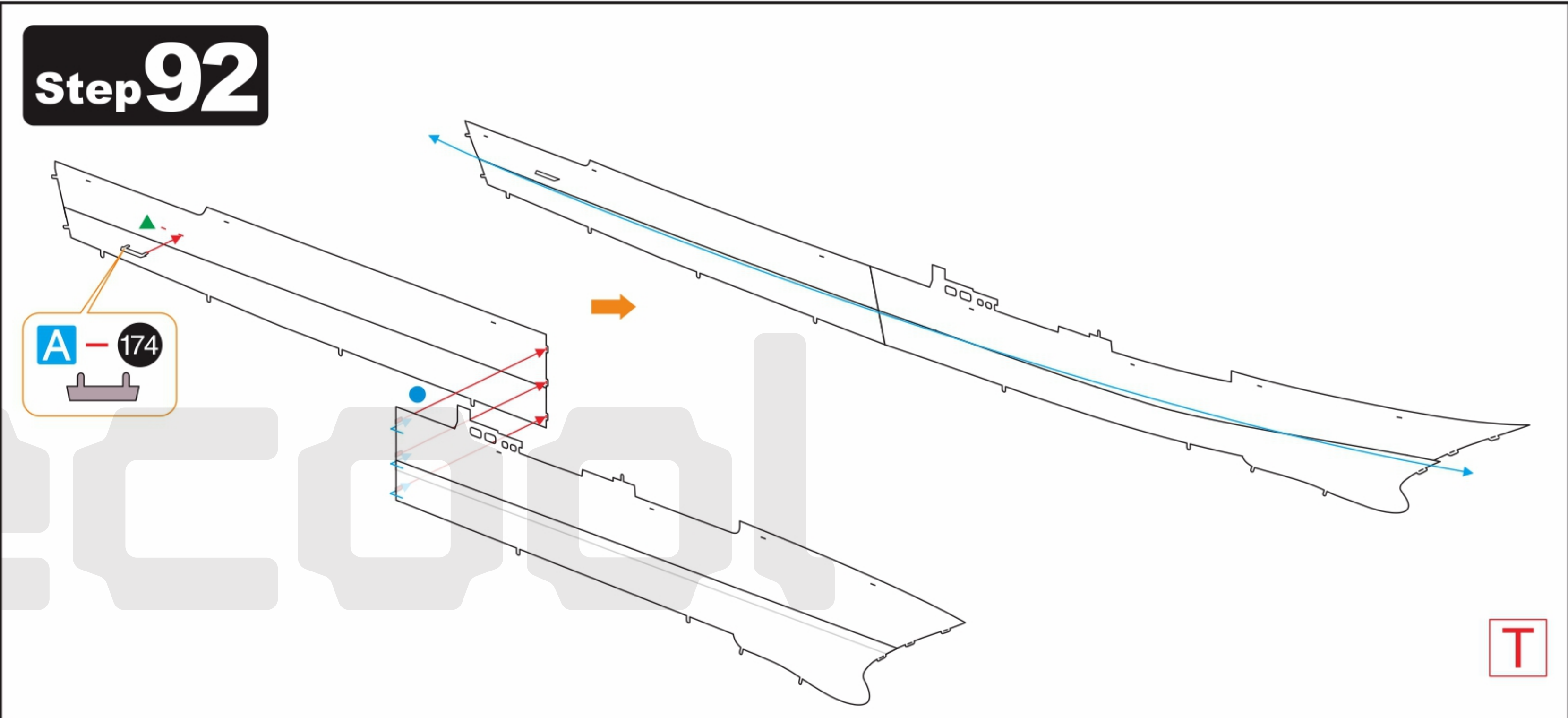
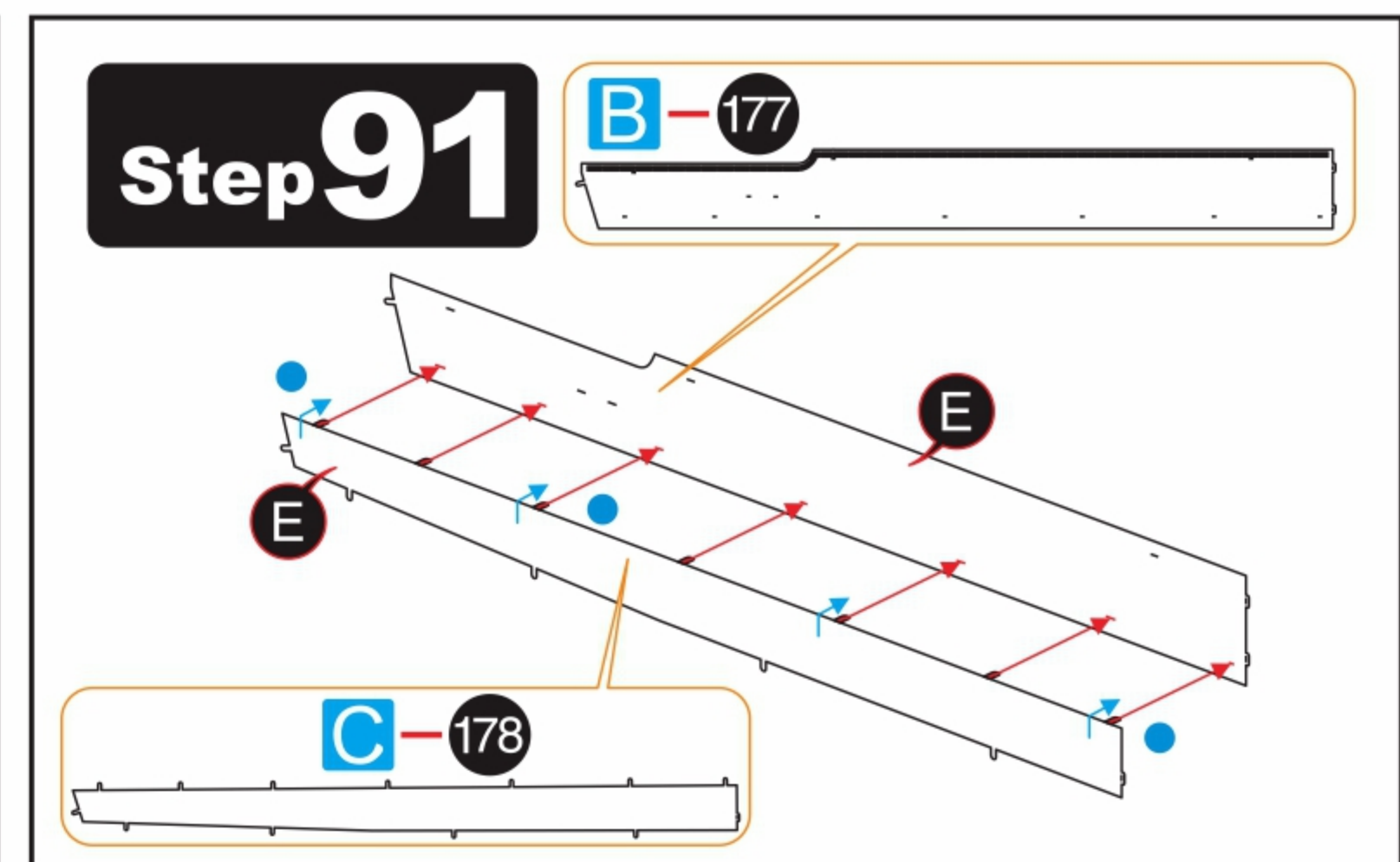
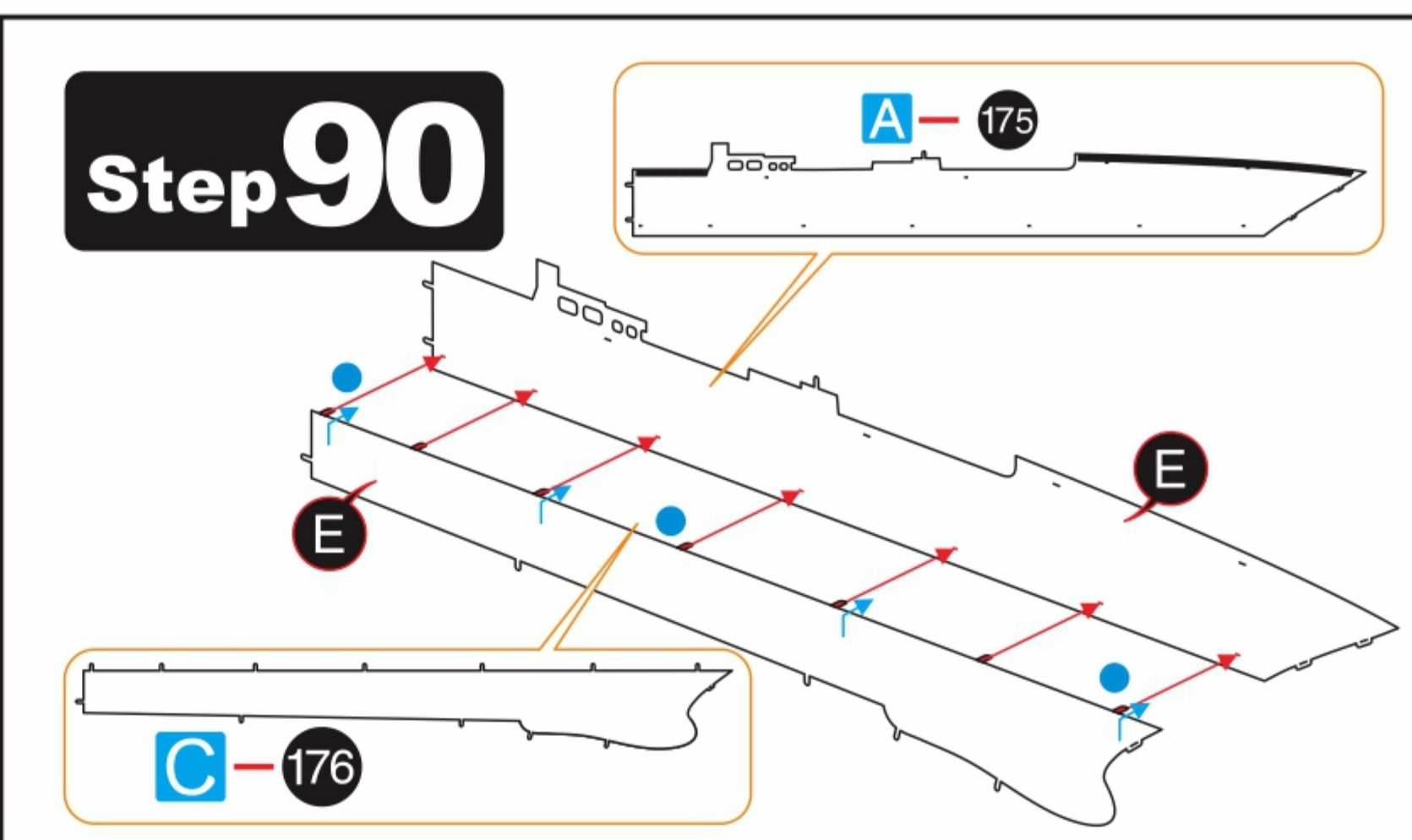
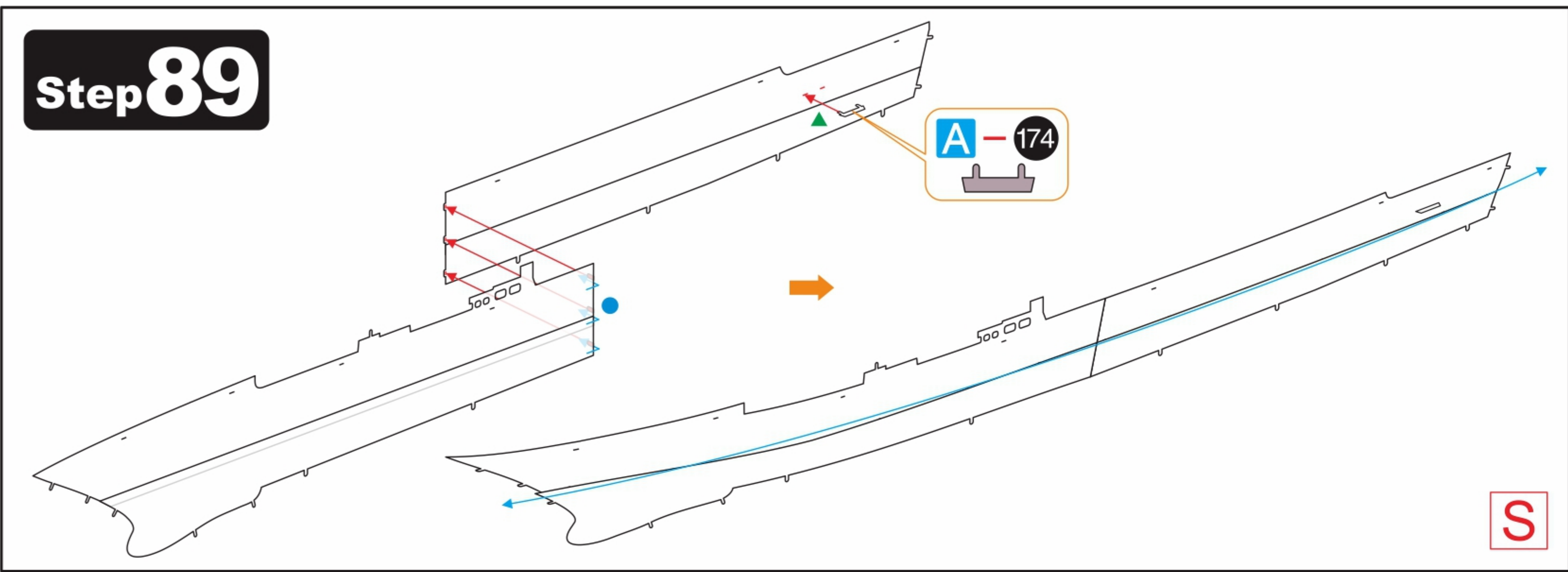
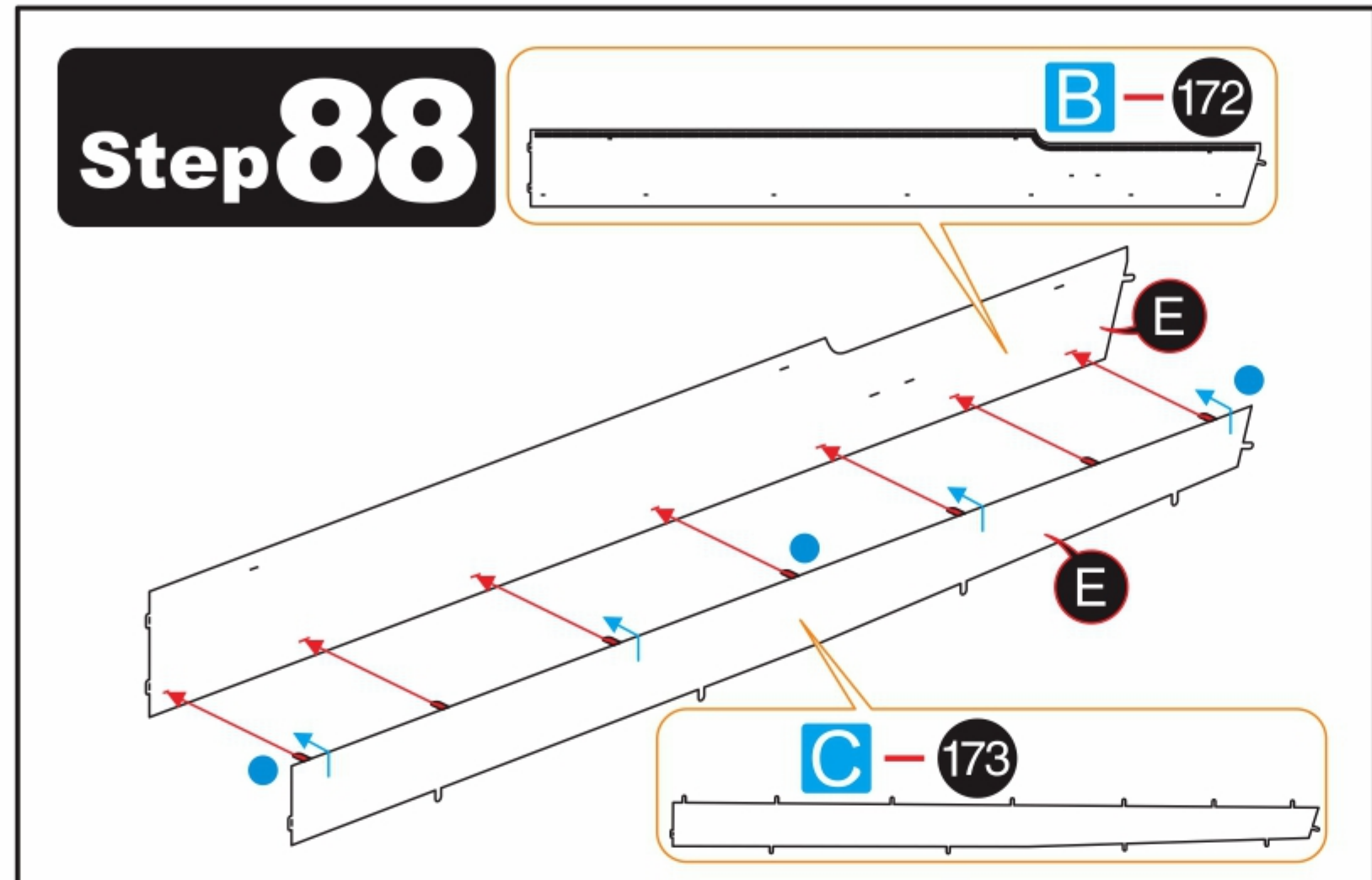
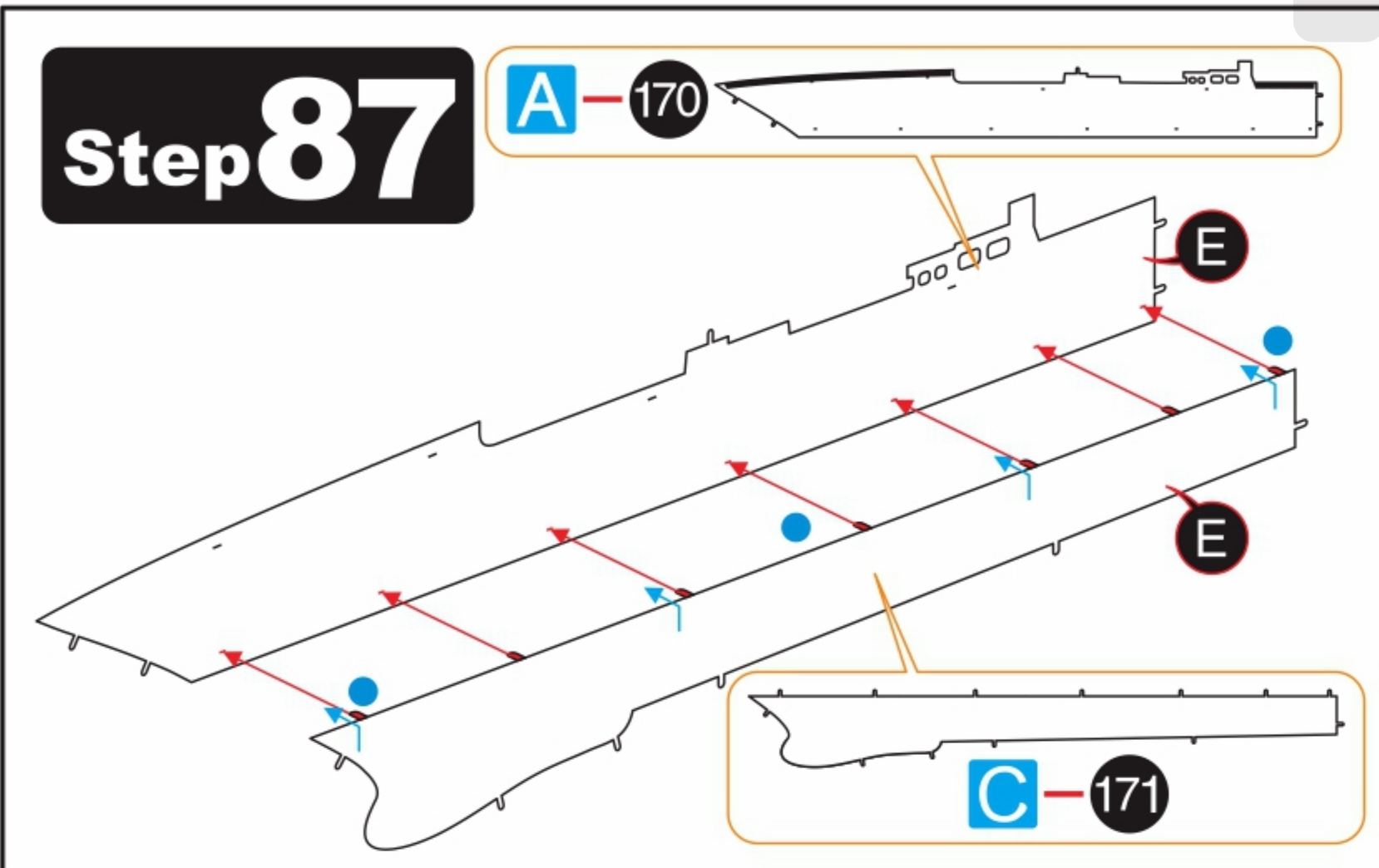
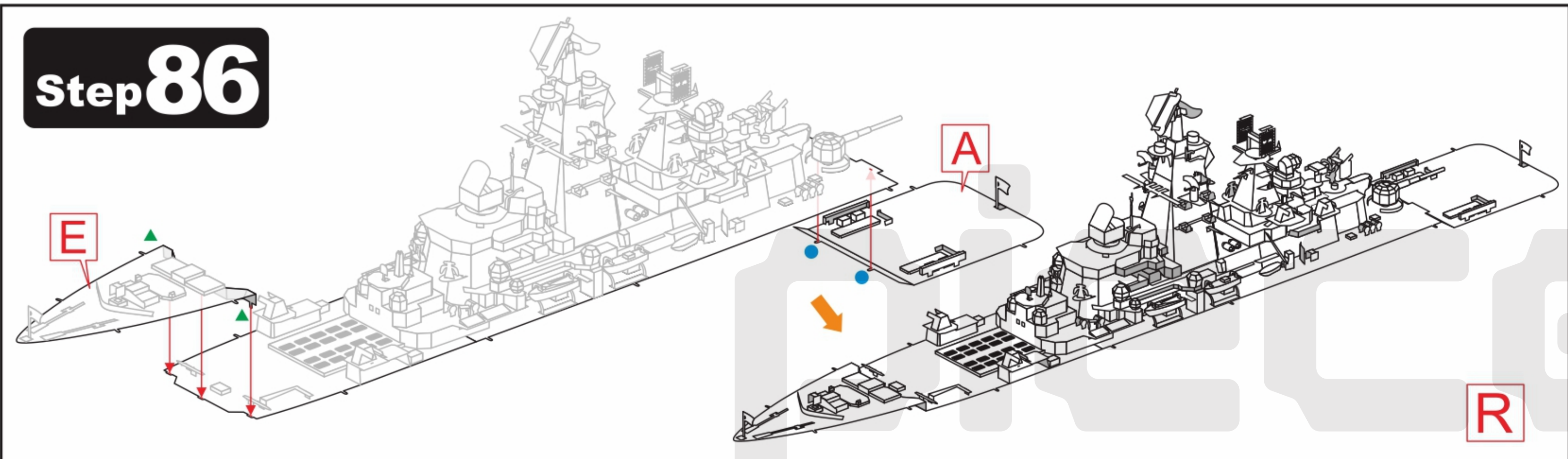
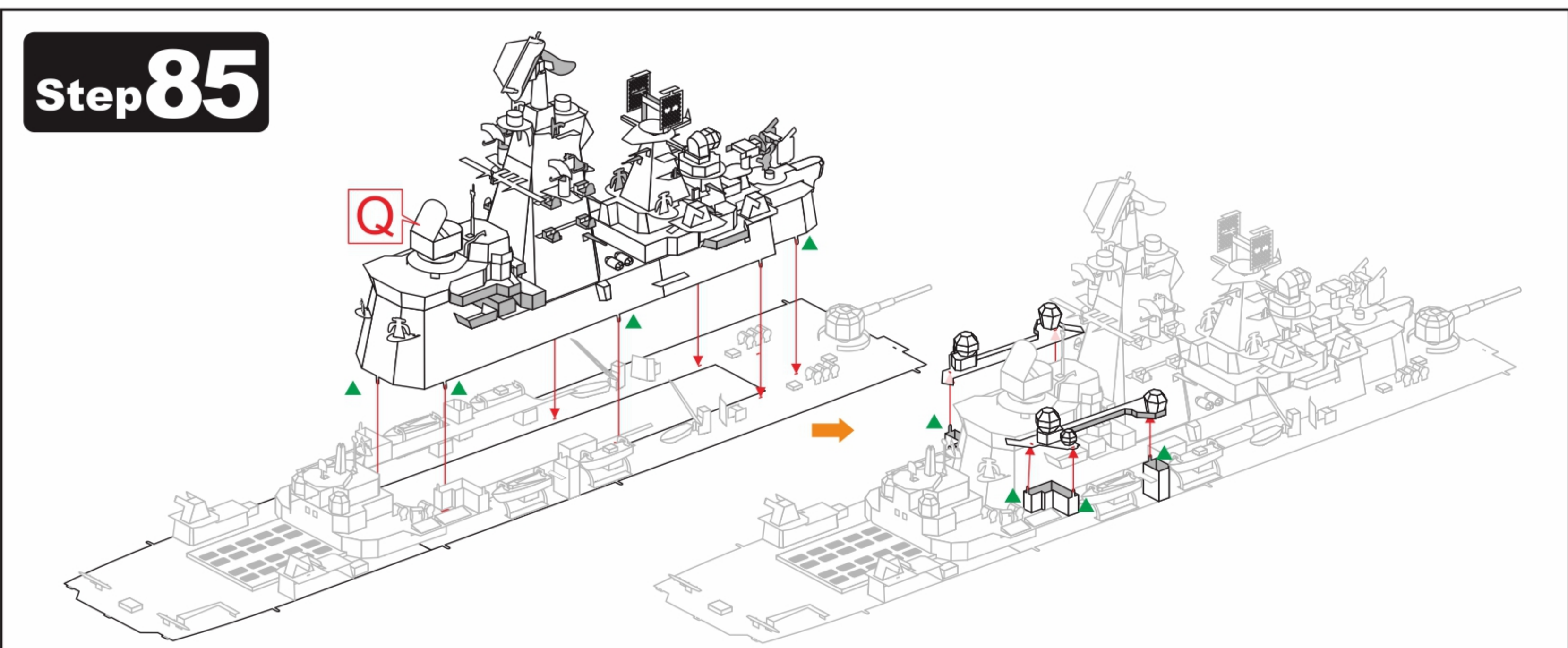




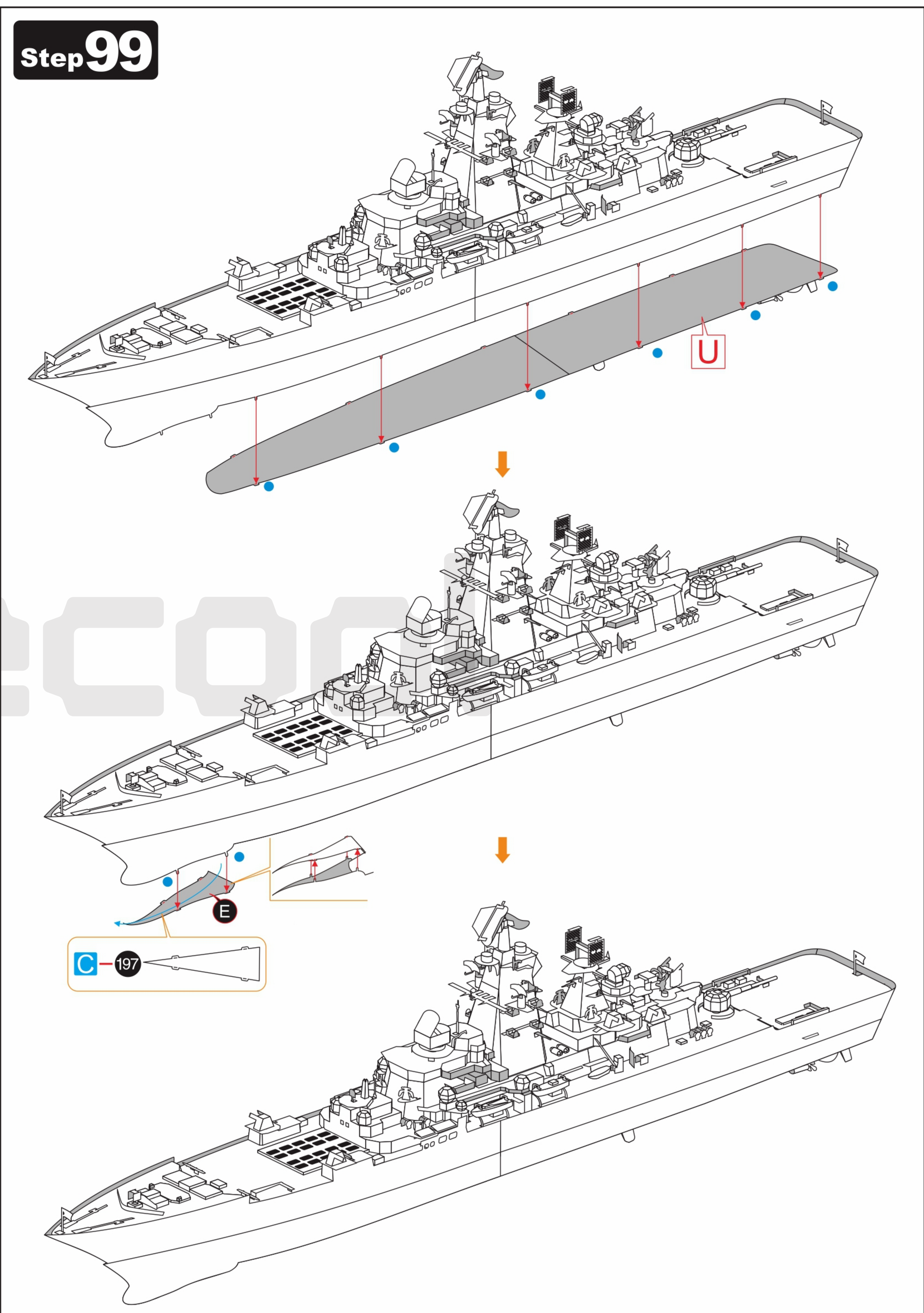
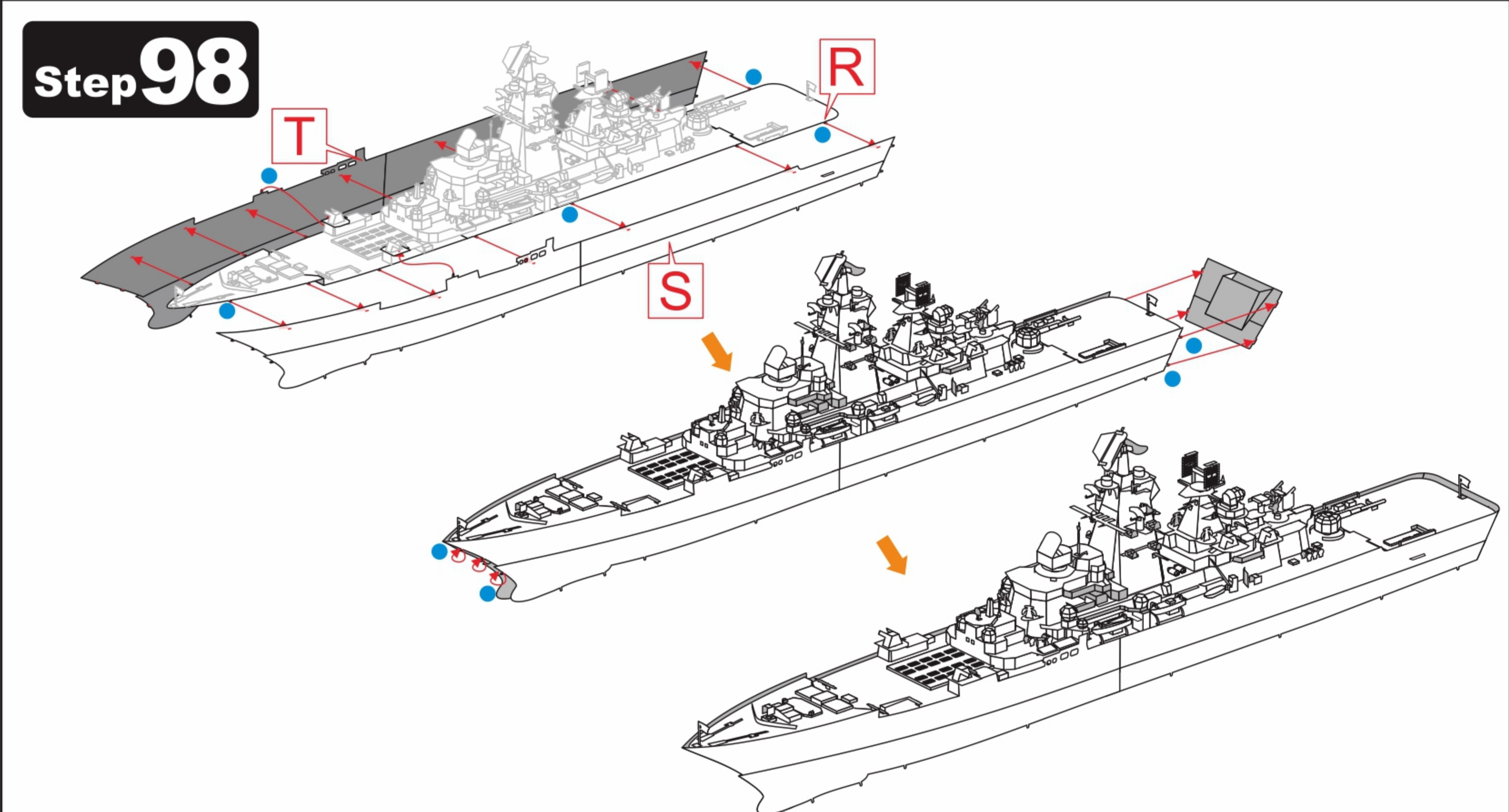
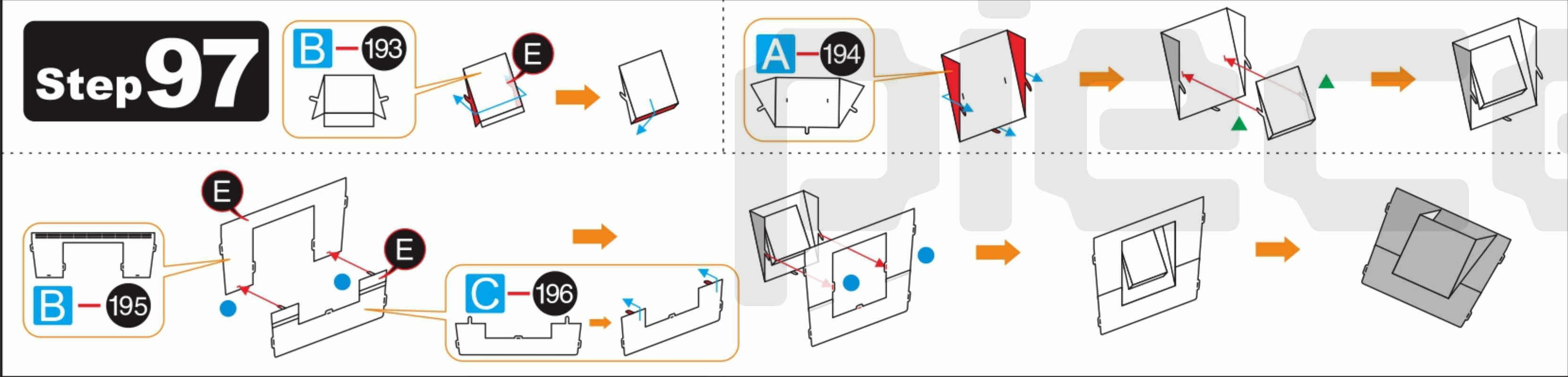
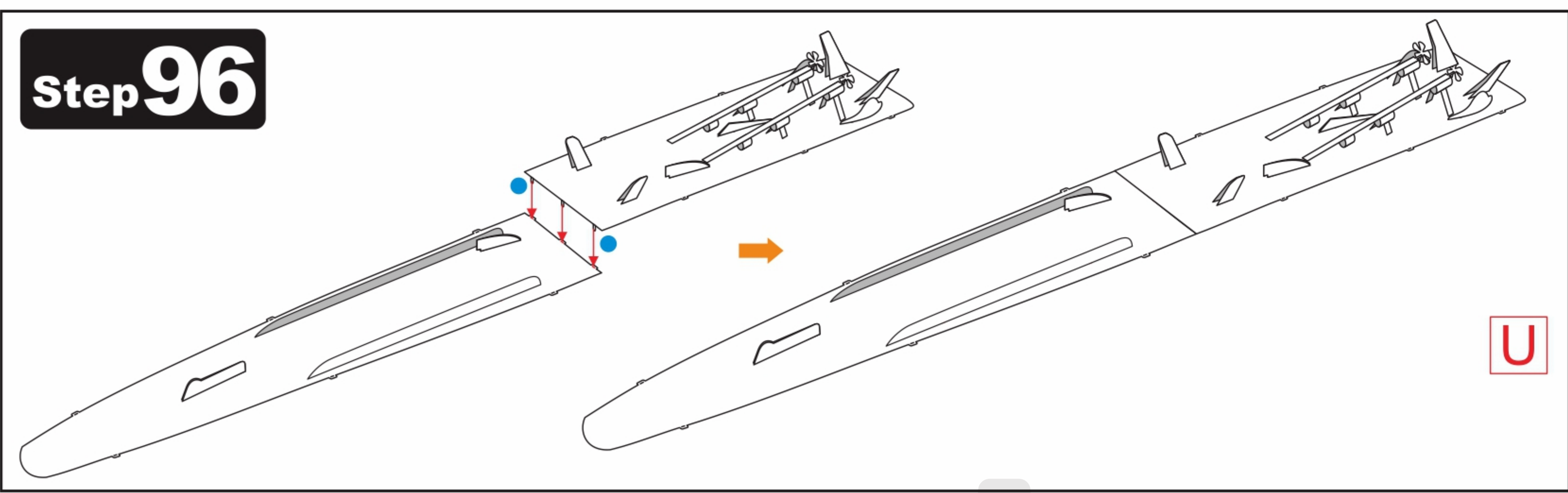
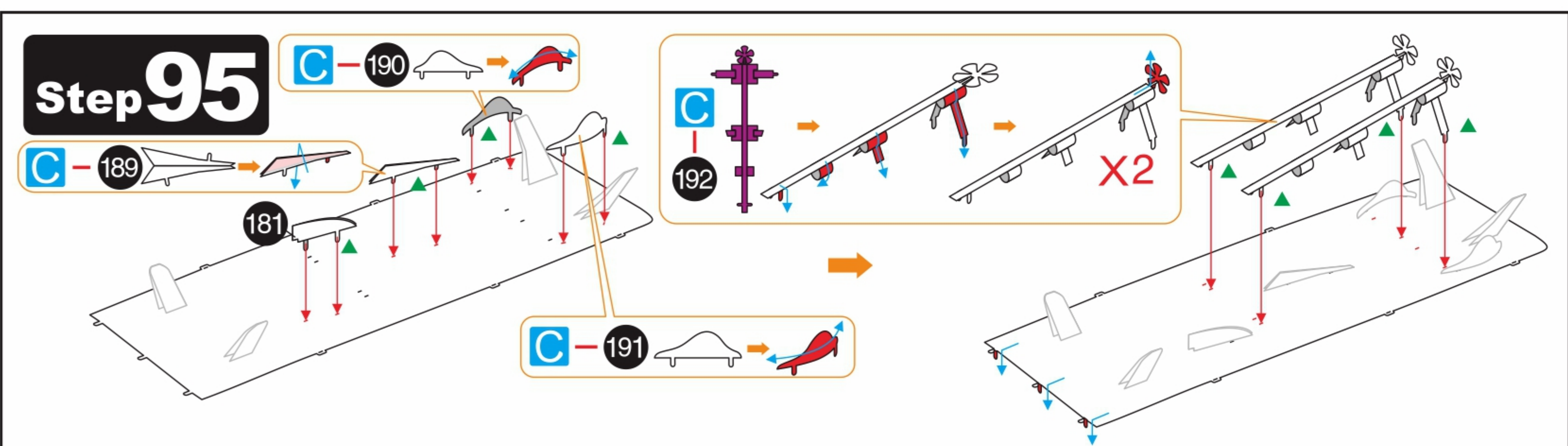


9 10
11 12





13 14
15 16



piececool

RUSSIAN BATTLECRUISER PYOTR VELIKIY HP110

Metal Sheet + Parts Package

Sketch Map

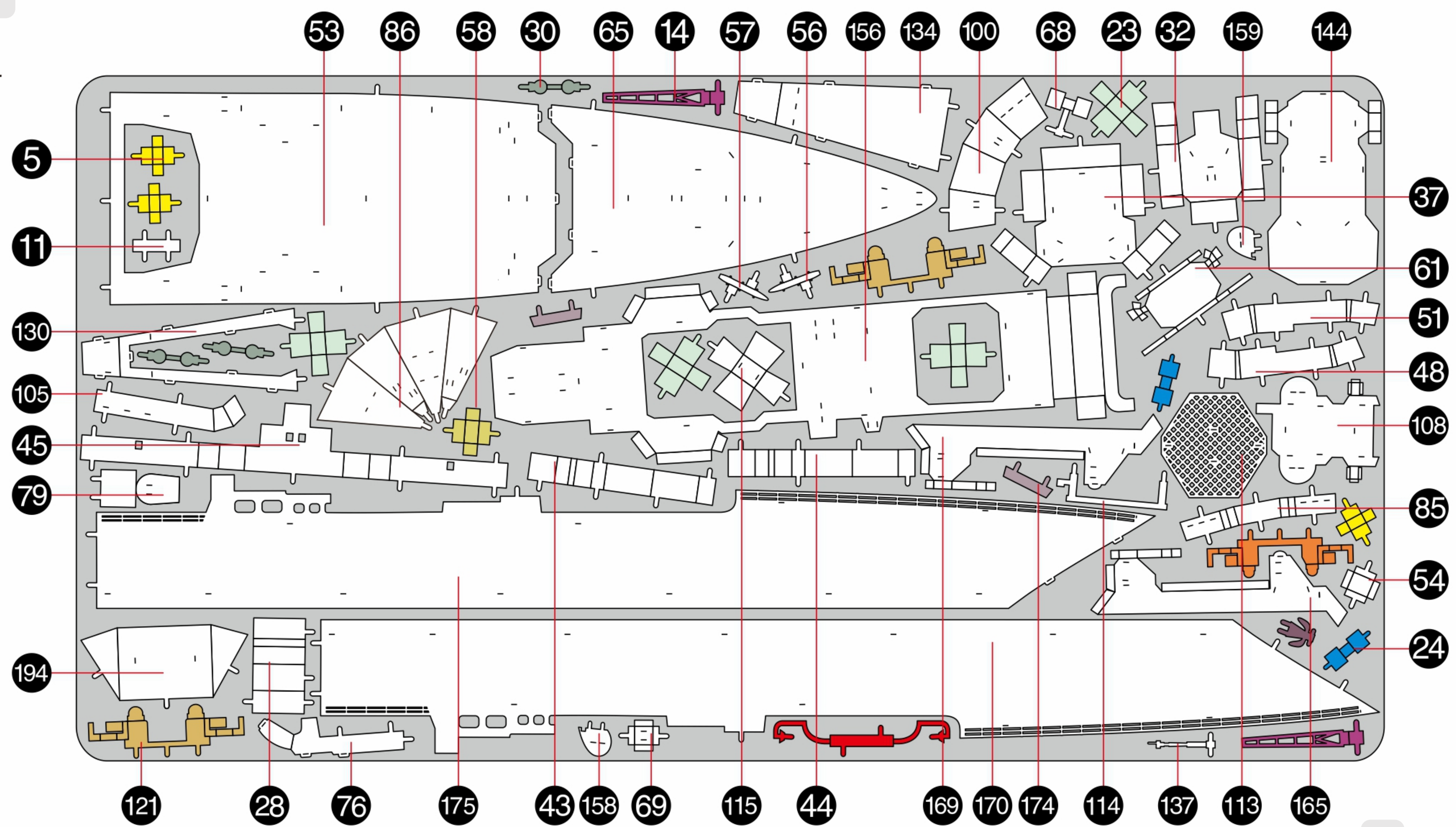
© WIST PLASTIC & METAL TECHNOLOGY LIMITED. ALL RIGHTS RESERVED.

Electronic version download address: <http://www.piececool.com/cpsuoming/HP110-sheet metal schematic diagram.pdf>

CP-PART-HP110#-A1-2019.08.31

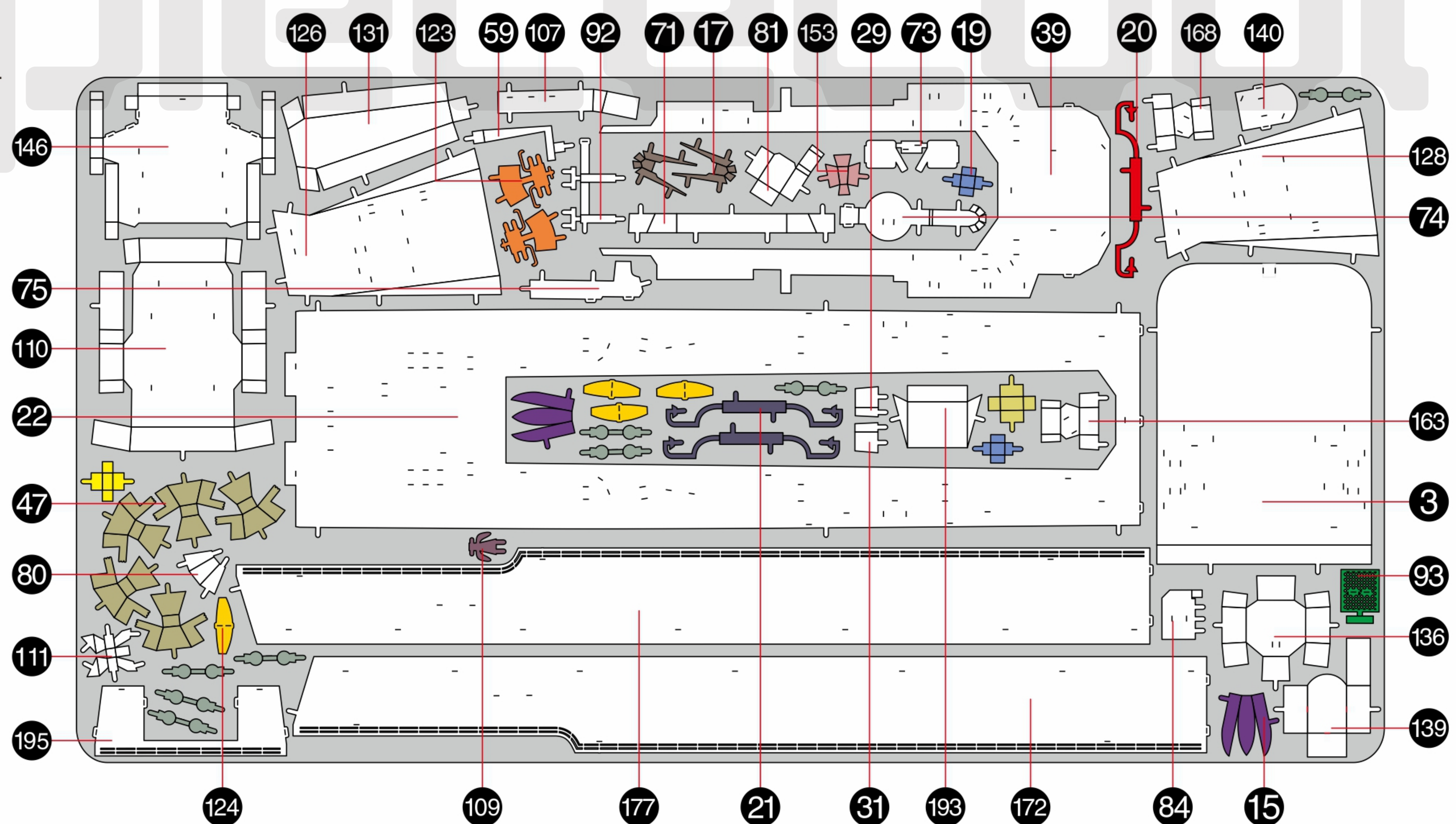
Metal Sheet

A

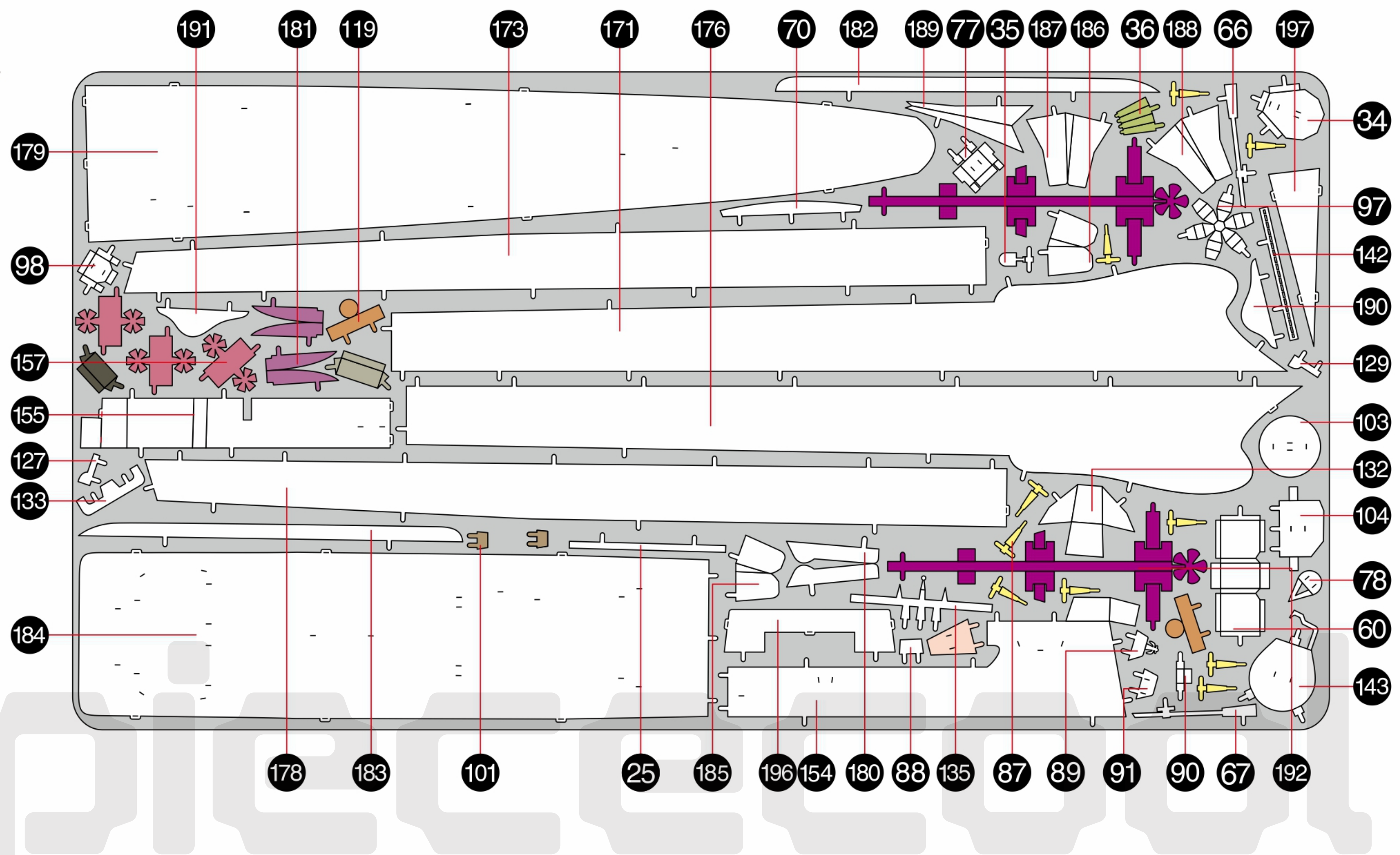


Metal Sheet

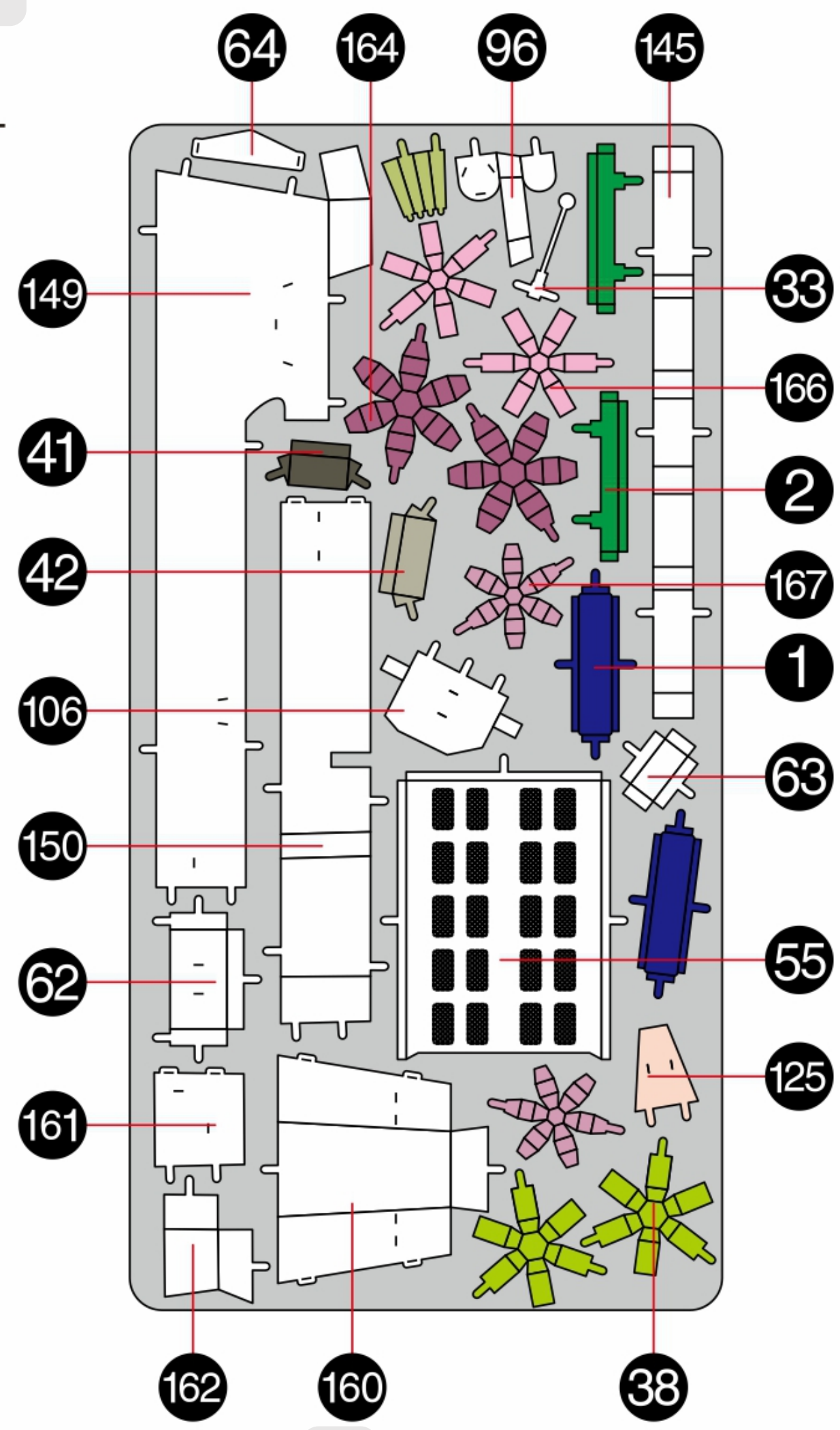
B



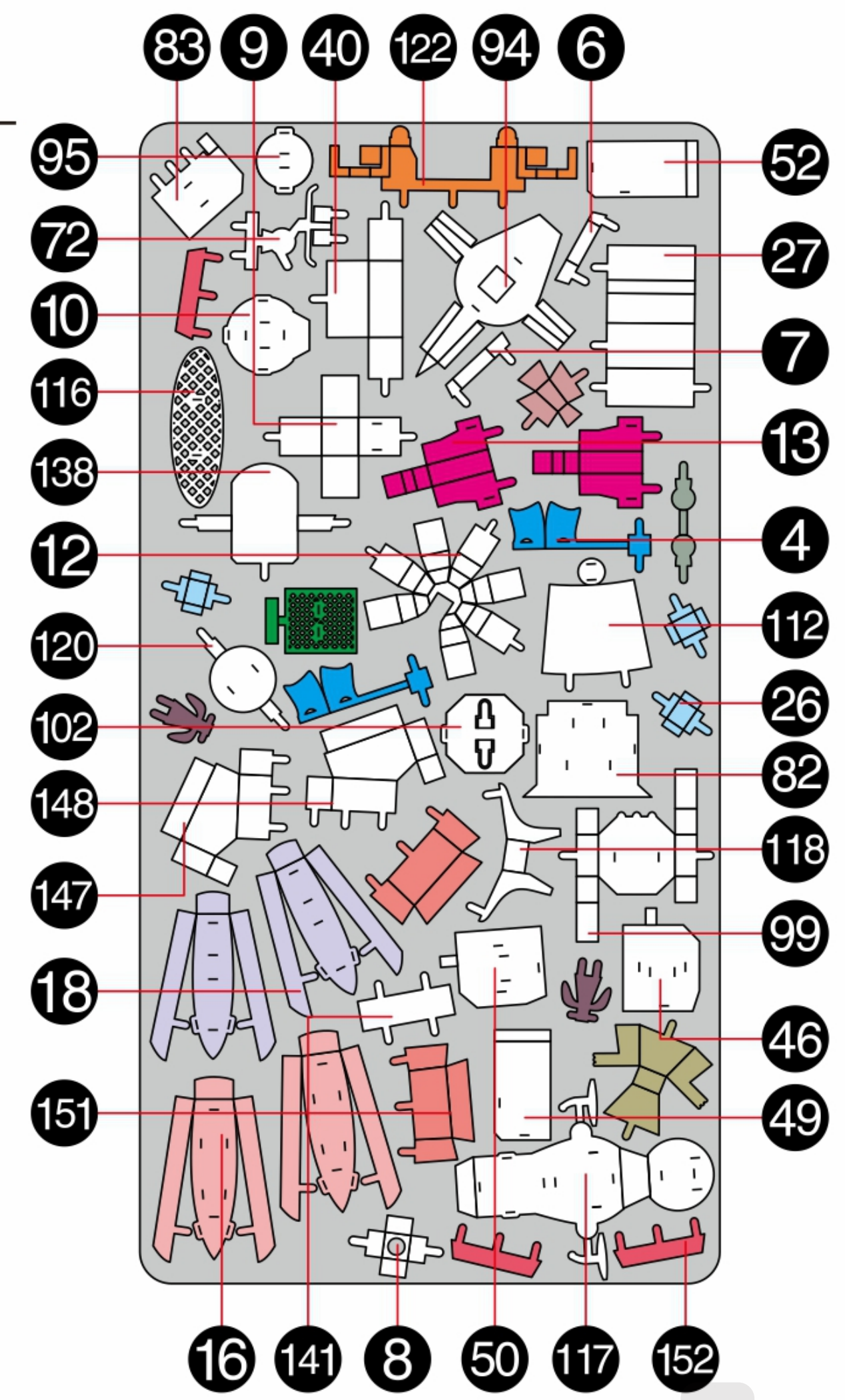
Metal Sheet



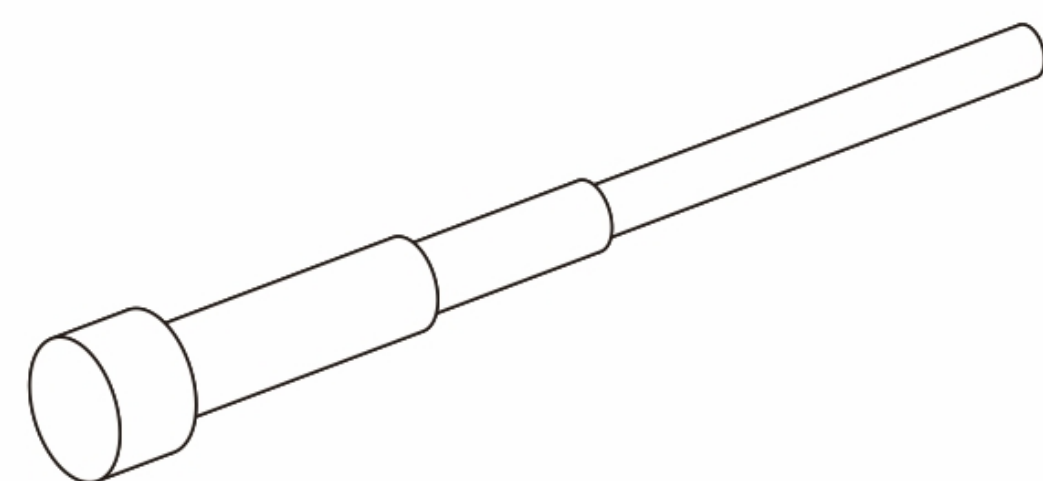
Metal Sheet



Metal Sheet



Parts Package



Barrel X1