

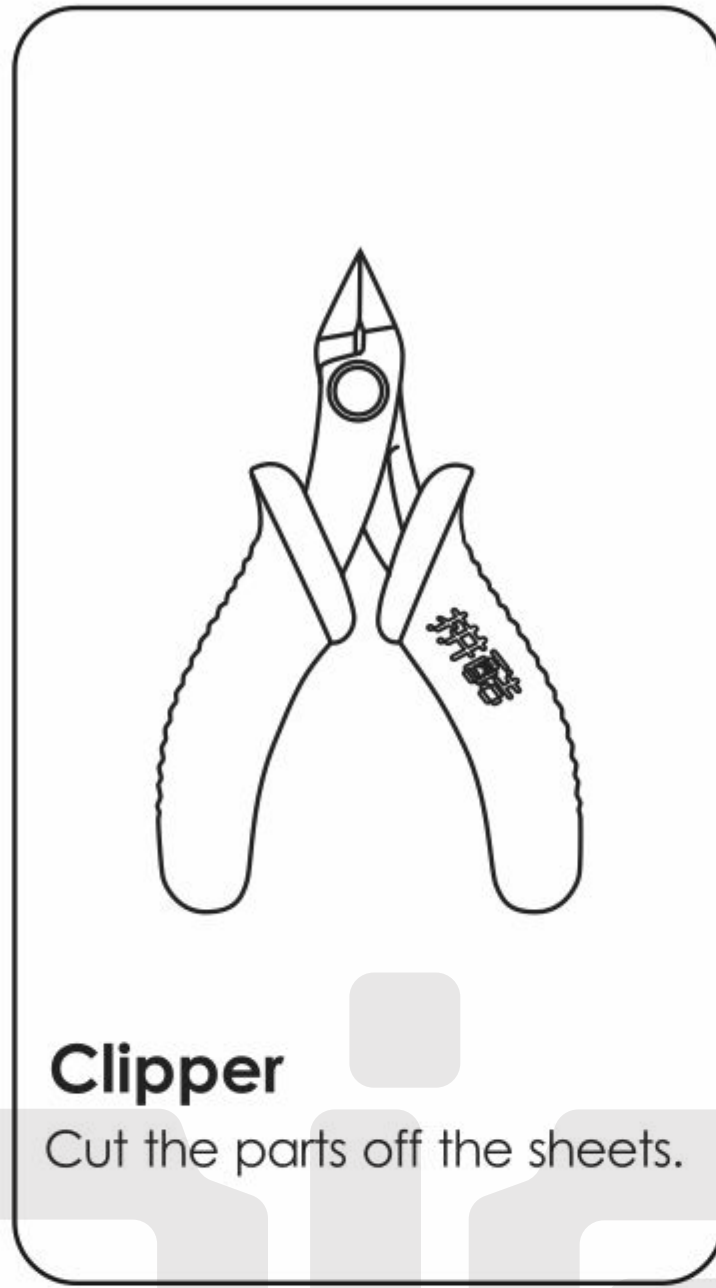
THE IMPERIAL GUARDS OF MING DYNASTY HP090



CP-ASSY-HP090#-A1-20190831

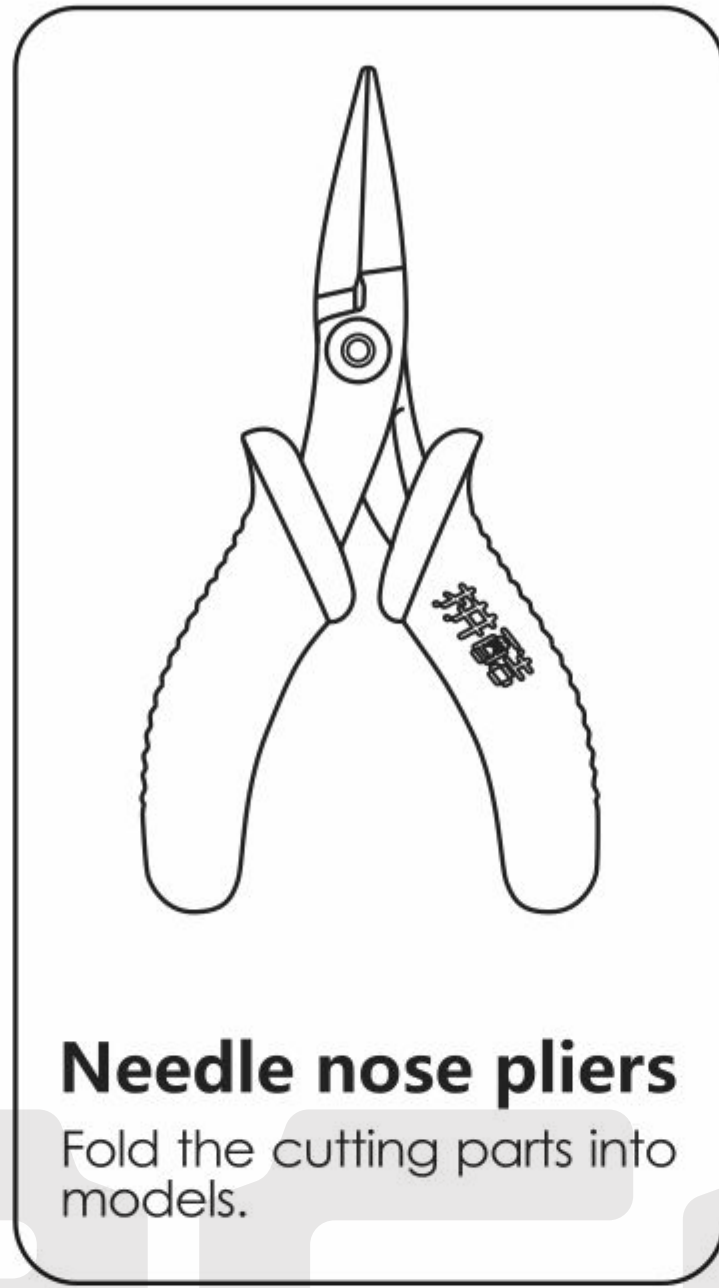
Installation Reminder

- Prepare tools:



Clipper

Cut the parts off the sheets.



Needle nose pliers

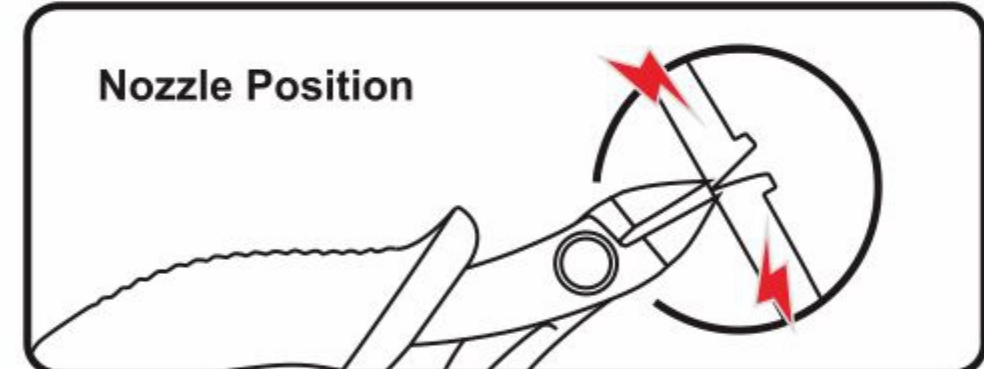
Fold the cutting parts into models.

It is recommended to use piececool authentic assembly tools to build or fix the design. It is tailor made for the metal pieces and user friendly.

Please handle the metal trim carefully to prevent scratches.

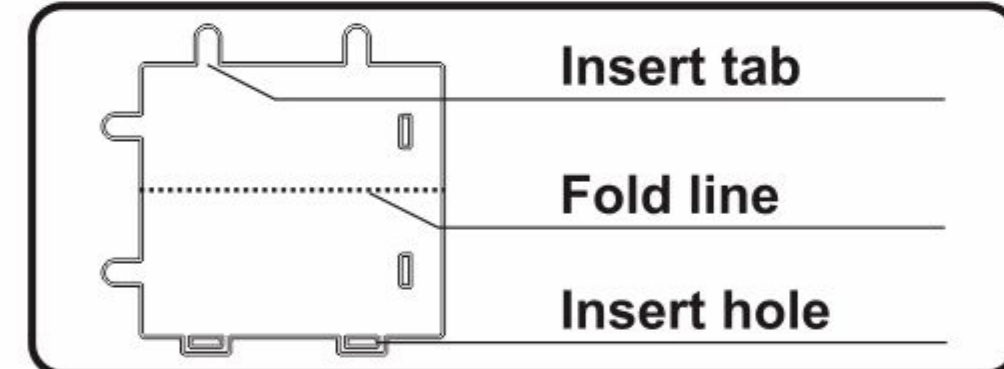
• Installation Method:

a. Remove the parts



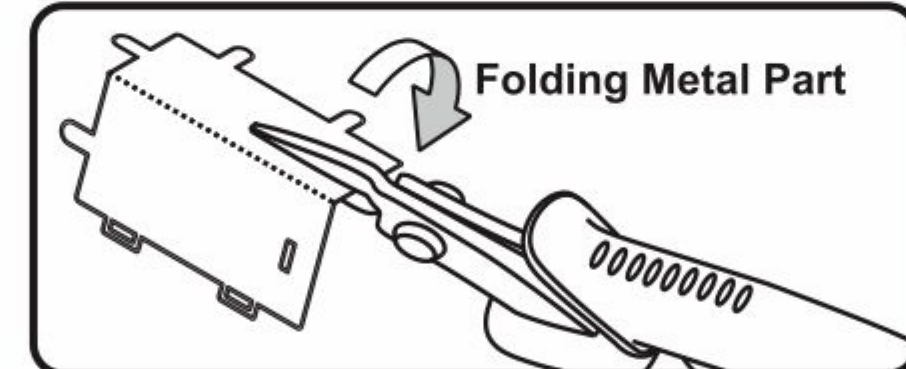
Please use the water-cutting pliers to cut the nozzle position and remove the parts.

b. Identify the parts



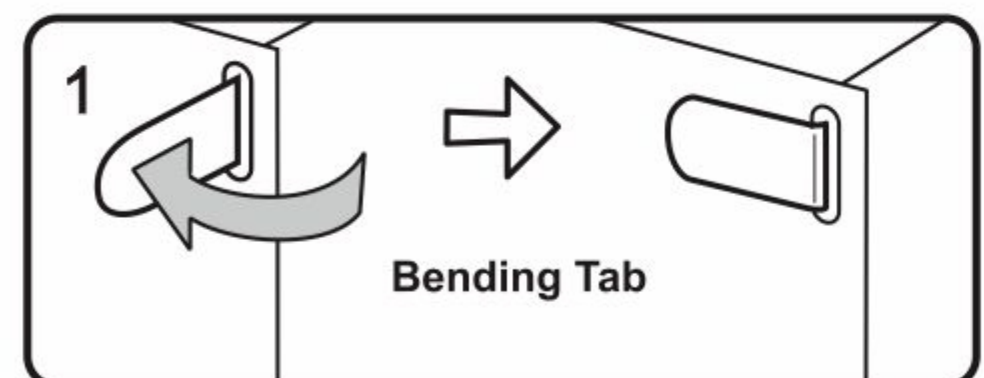
Identify the insert tab, fold line and the insert hole.

c. Folding the parts

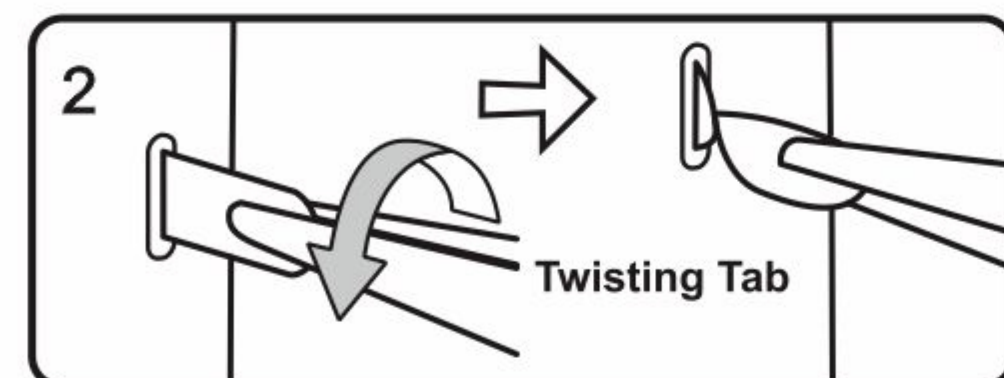


Please use the Pointed-nose pliers to fold the cutting parts into models.

d. Retaining the parts



Insert the hole, bending tab with angle 90°



Insert the hole, twisting tab with angle 90°

• Attention:

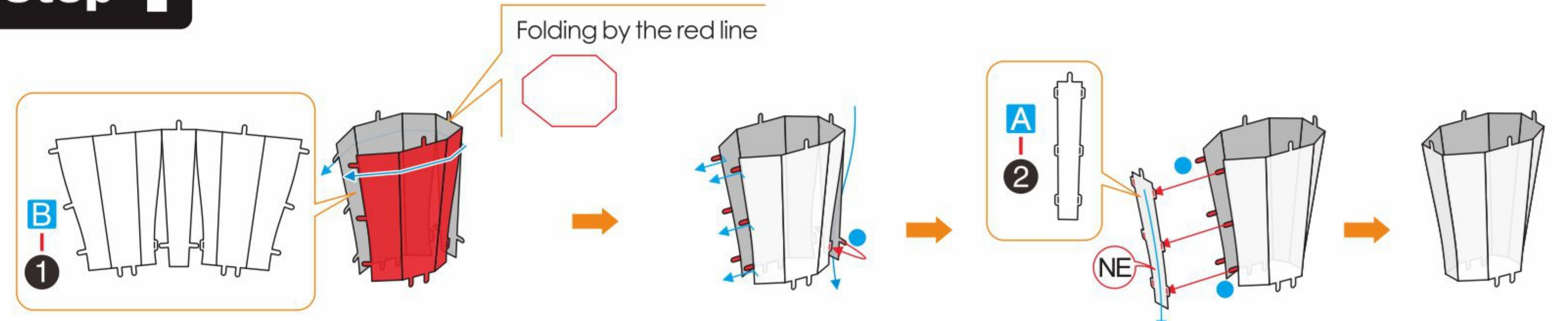
- Engraved / Color side
- Non-engraved / Silver side
- Attention Point
- Keep the parts symmetrical

When cutting metal parts, please do not cut the "insert tab" as "nozzle position". Only cut the parts of the current step when cutting the parts. Do not cut all the parts at one time to avoid loss.

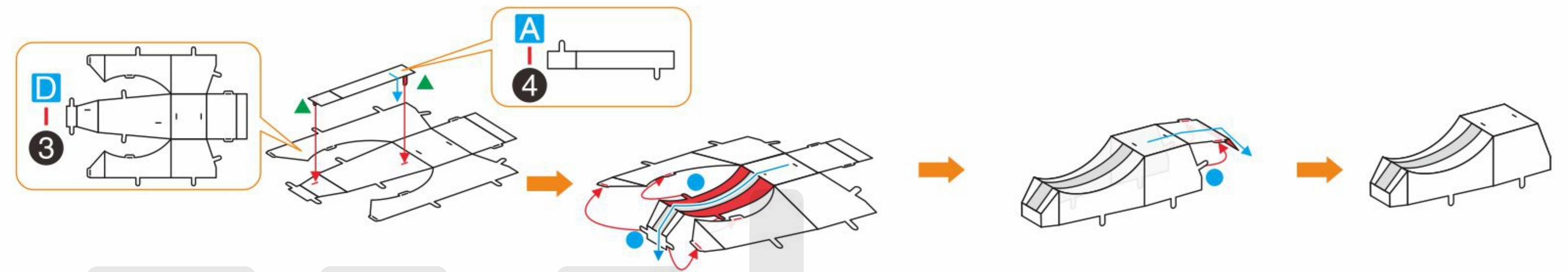
When encountering the parts of the folding line, please pay attention to the front and back of the metal sheet and the direction of the folding. According to the direction indicated in the instruction, cut lightly and fold slowly. It is best to fold it once. Do not fold it repeatedly to avoid damage to the parts.

Assembly Flow Chart

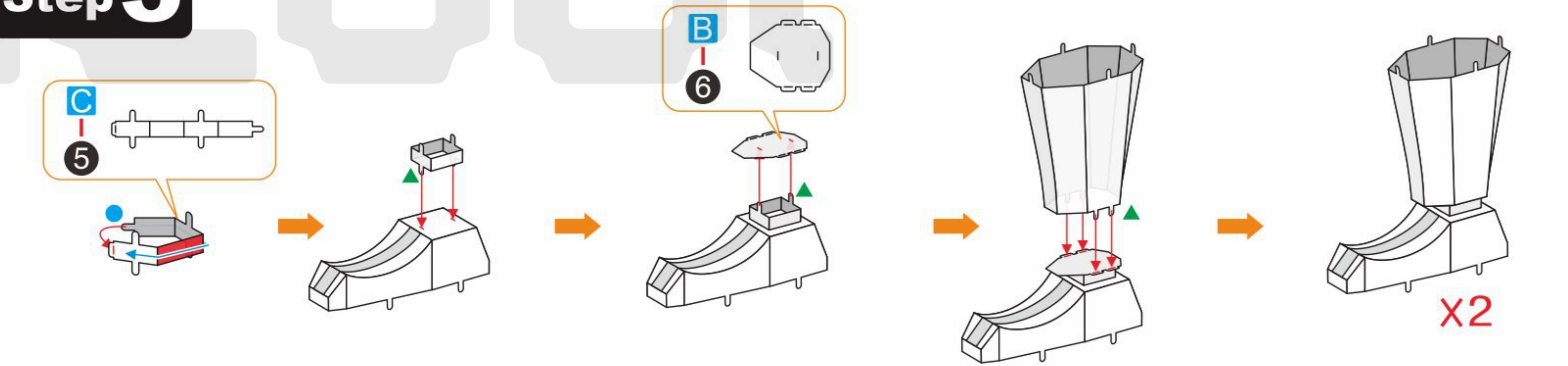
Step 1



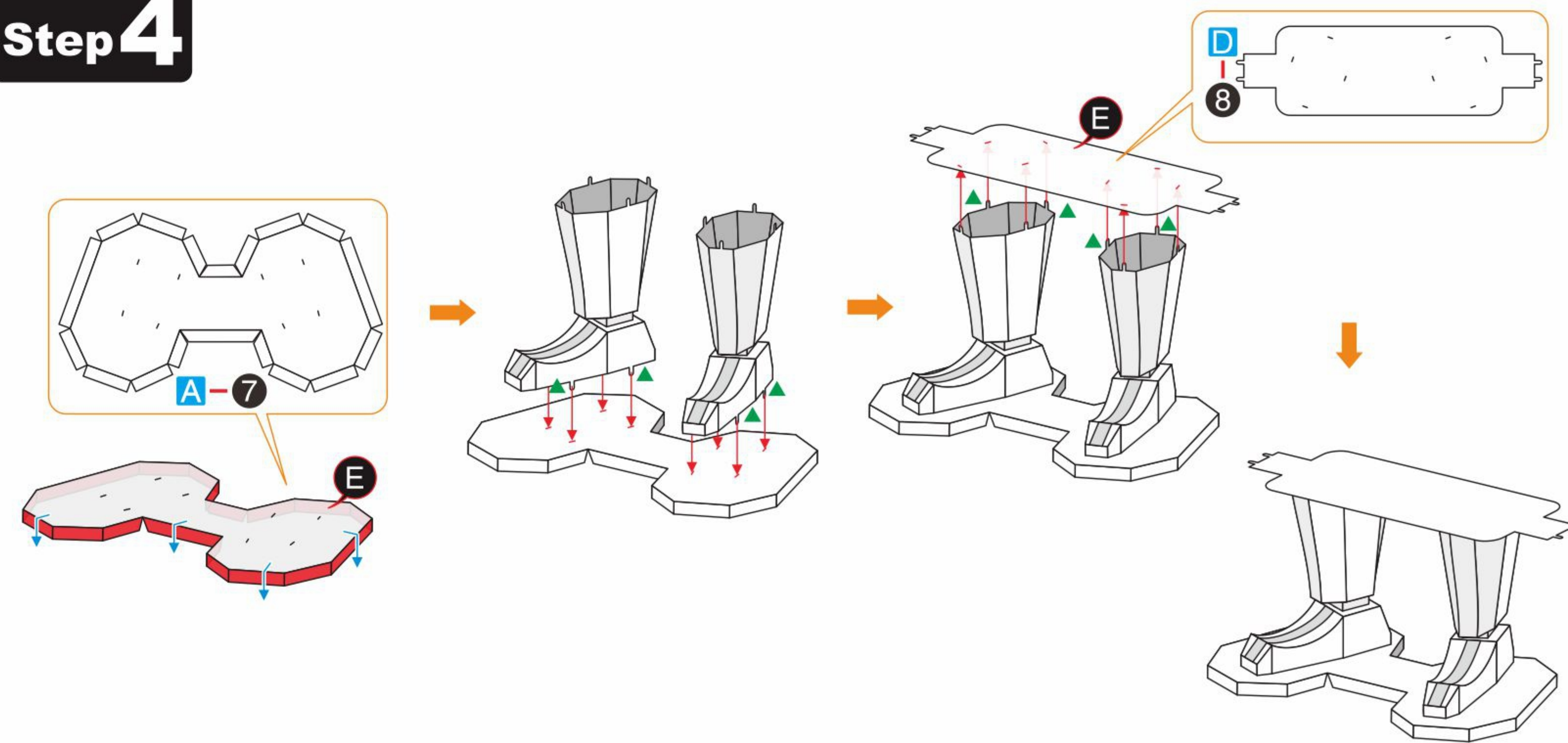
Step 2



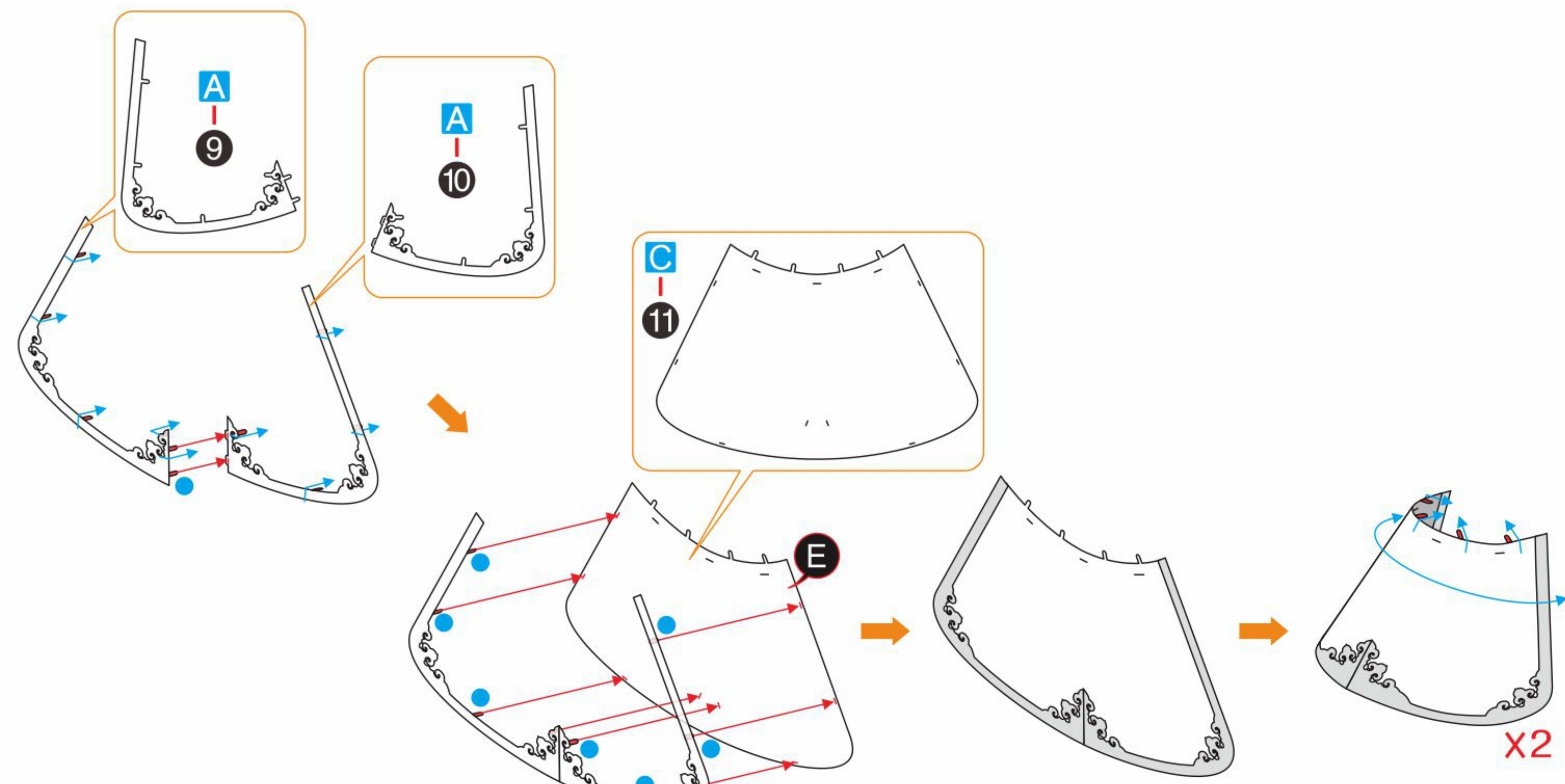
Step 3



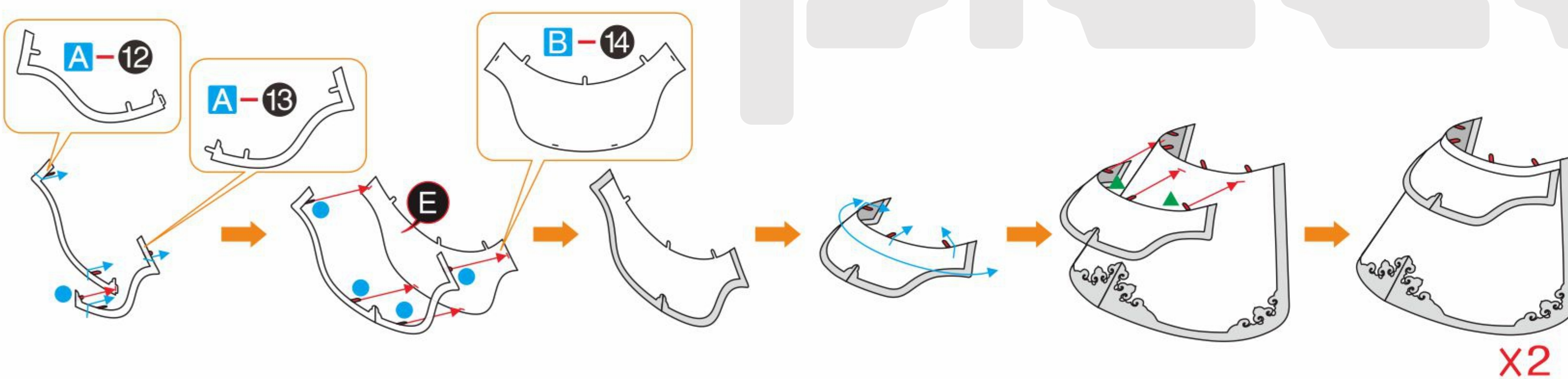
Step 4



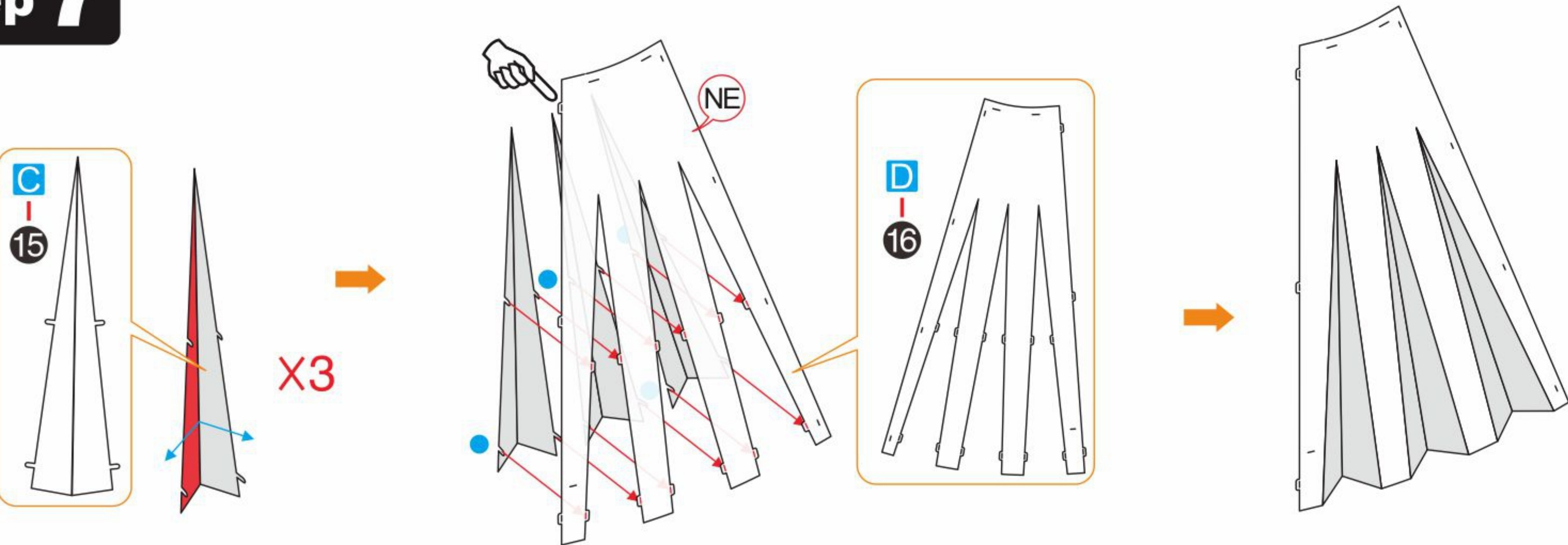
Step 5



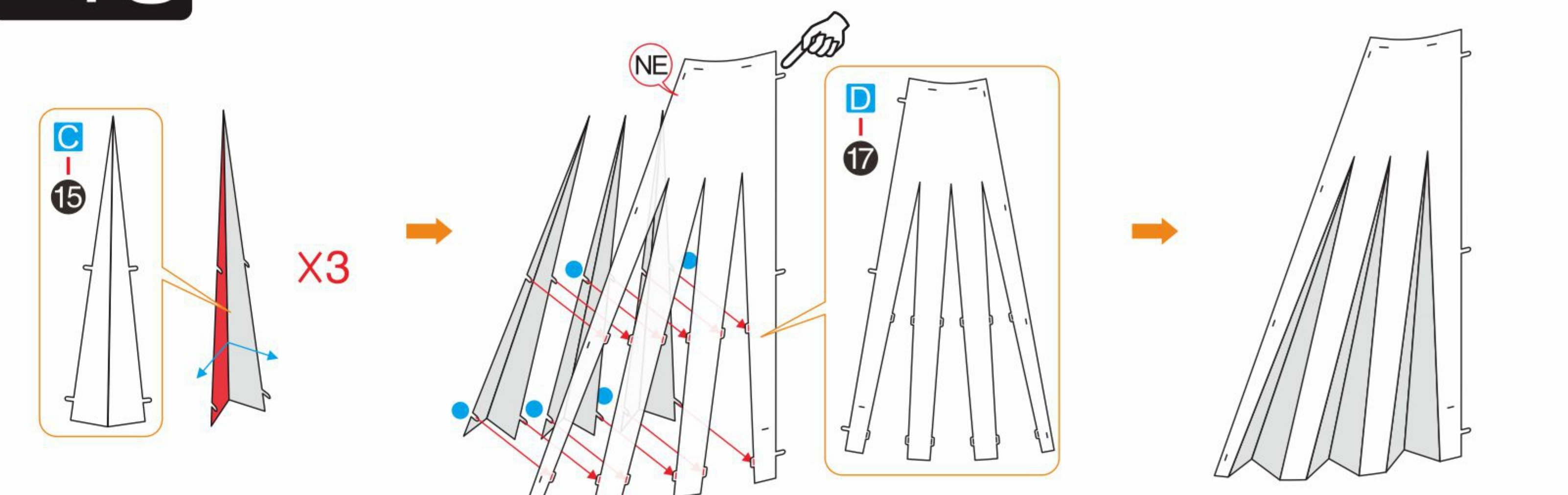
Step 6



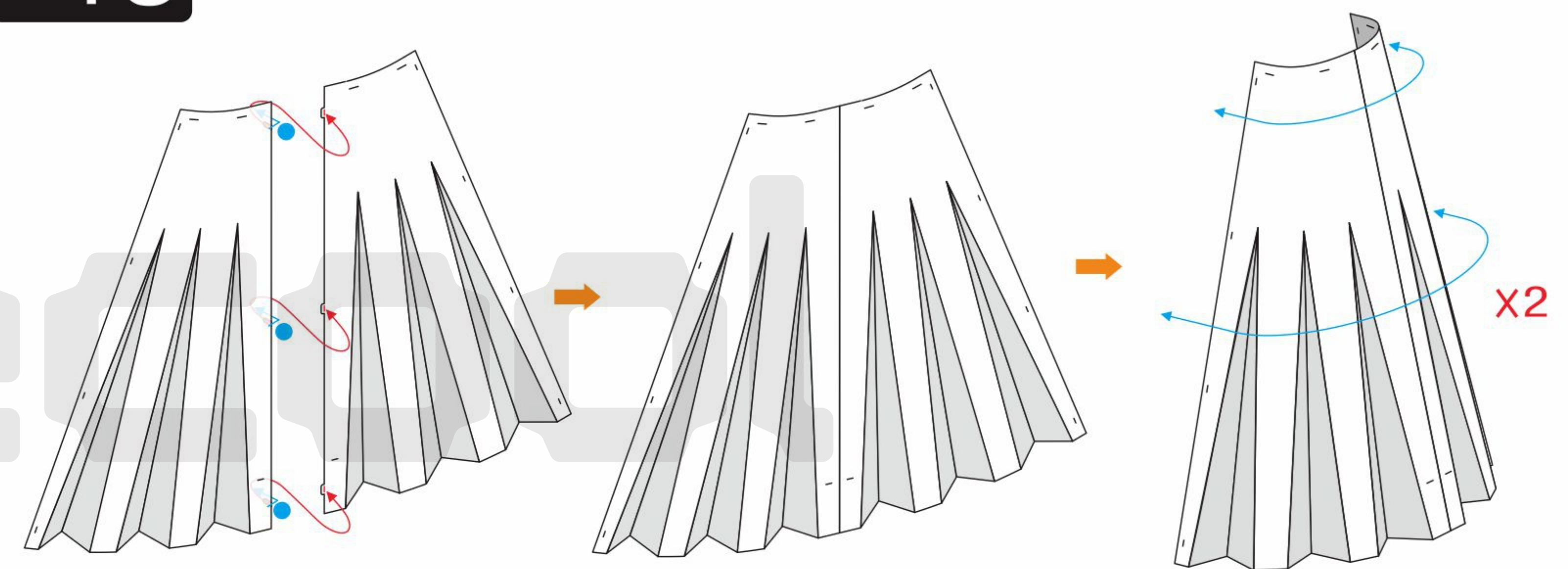
Step 7



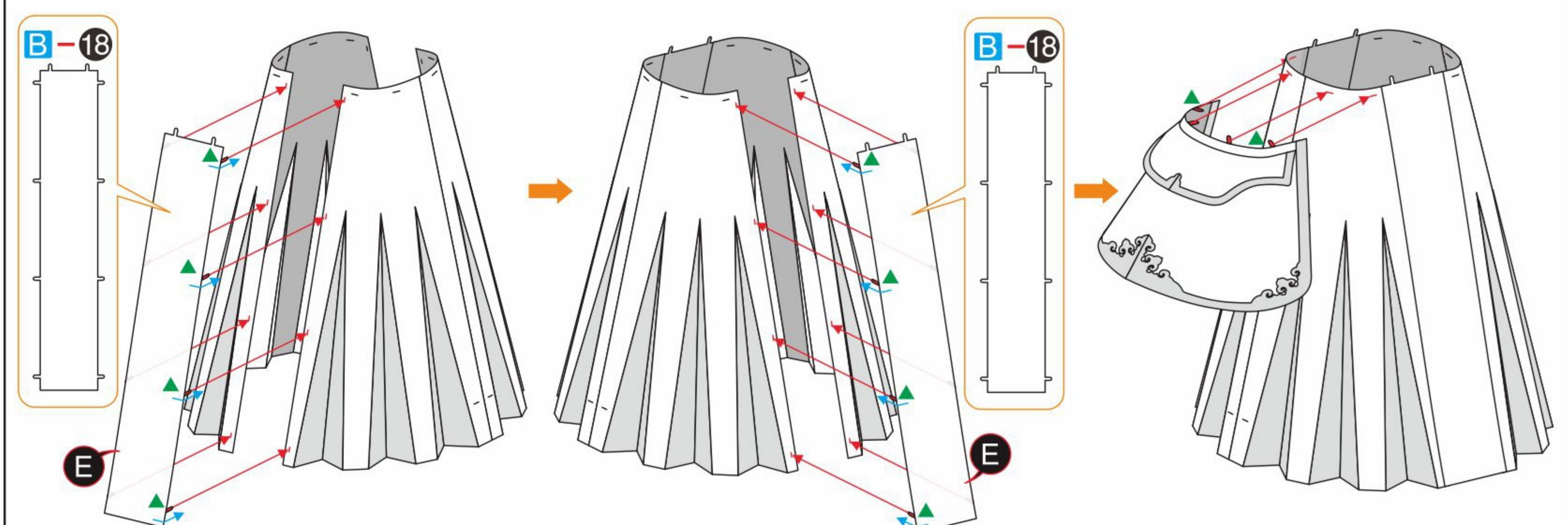
Step 8

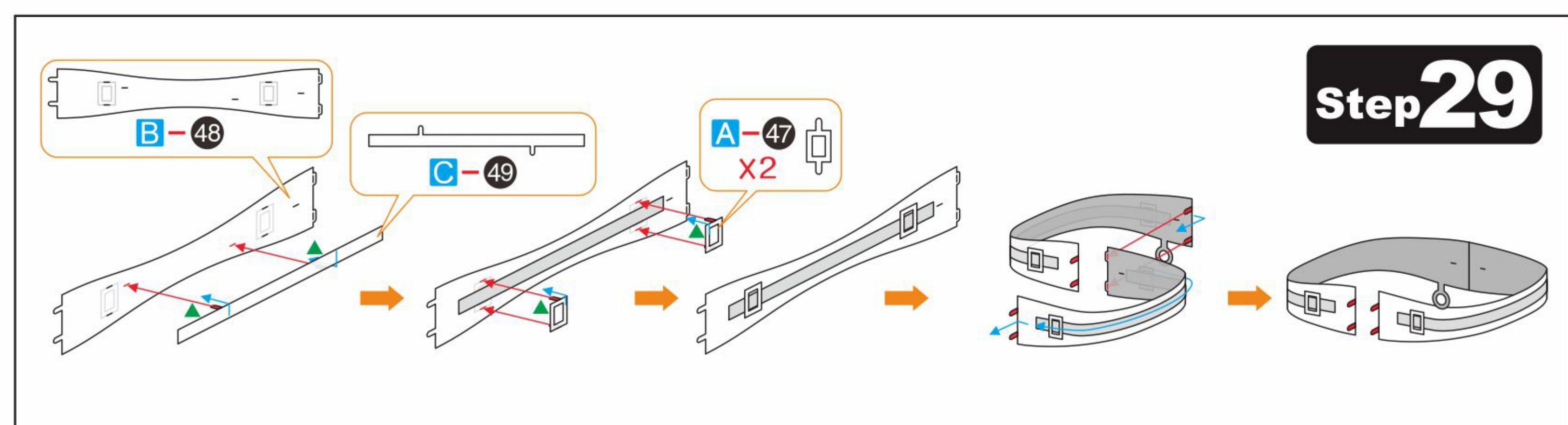
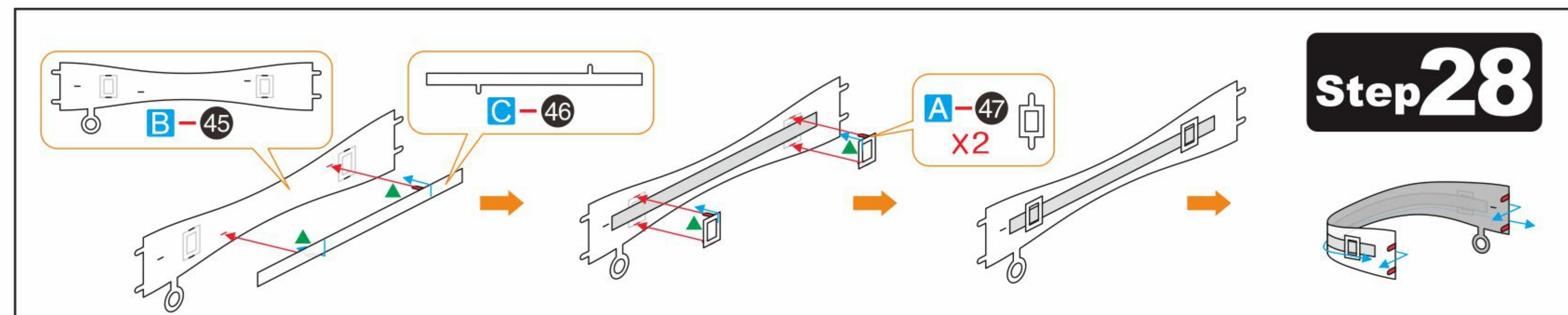
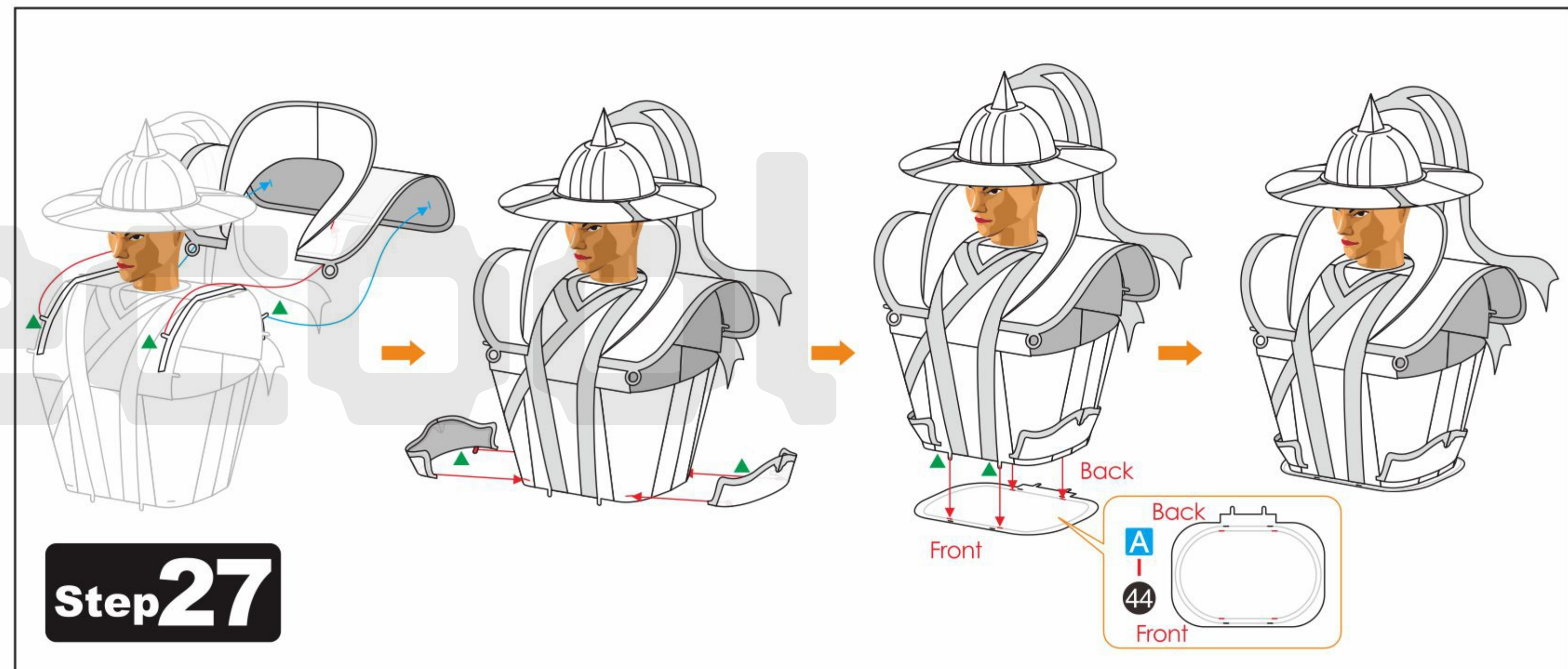
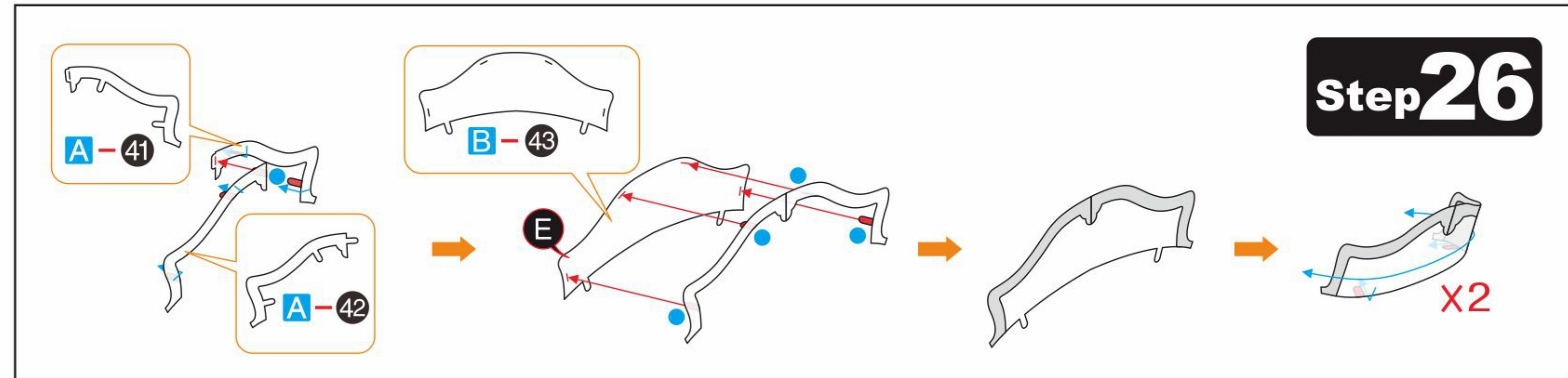
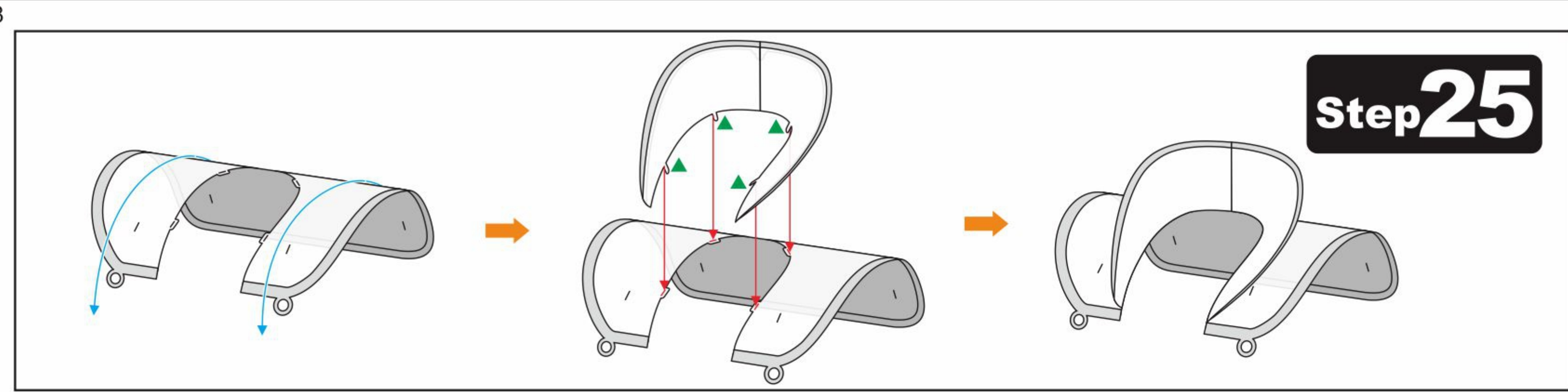
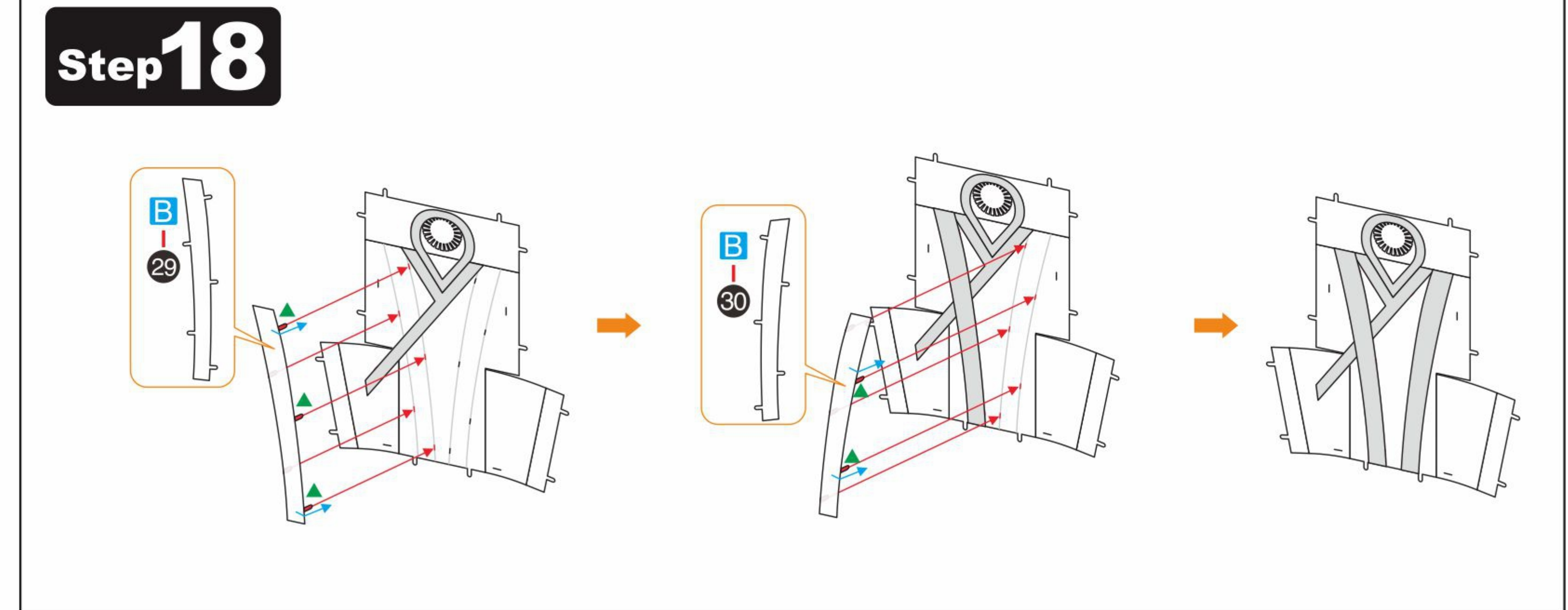
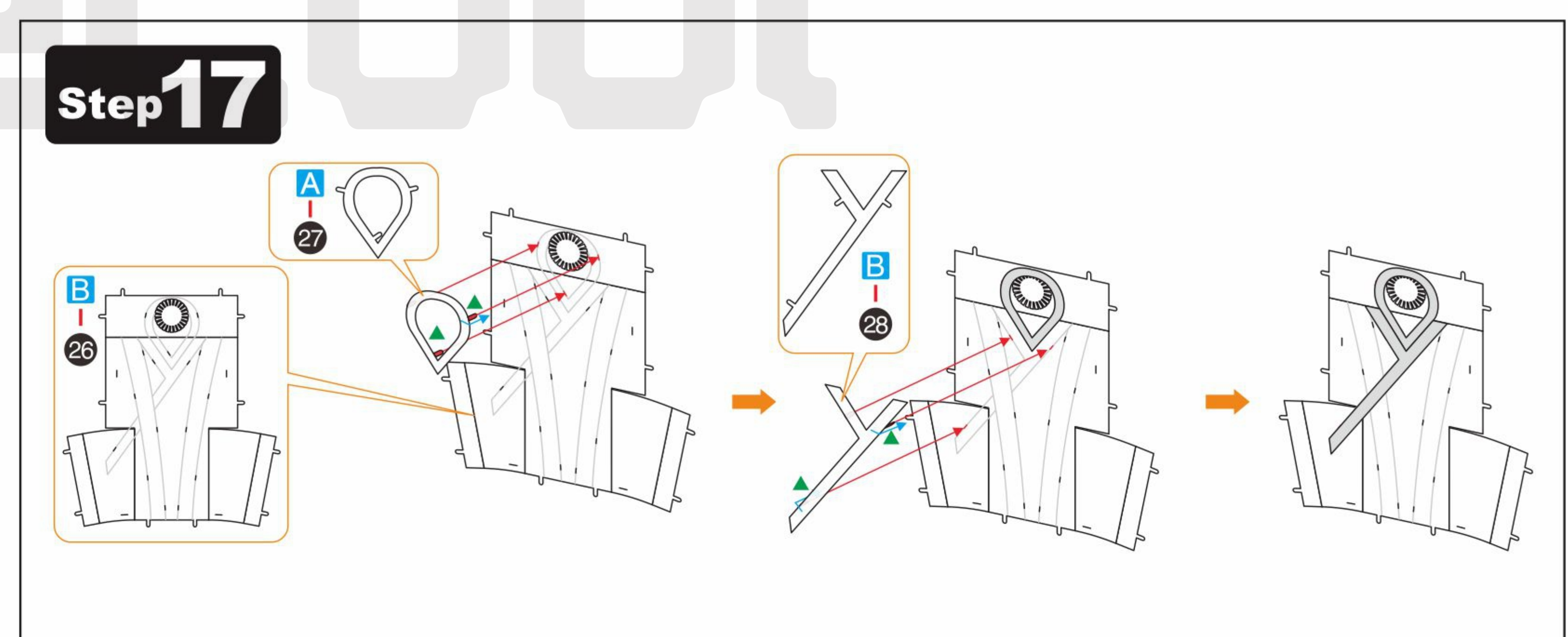
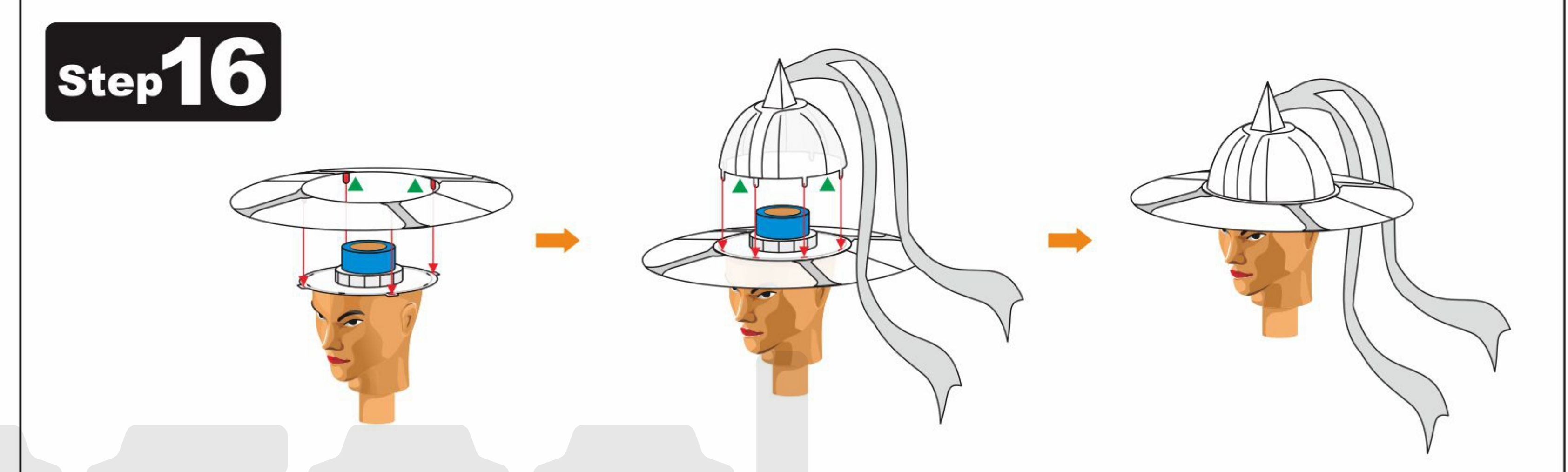
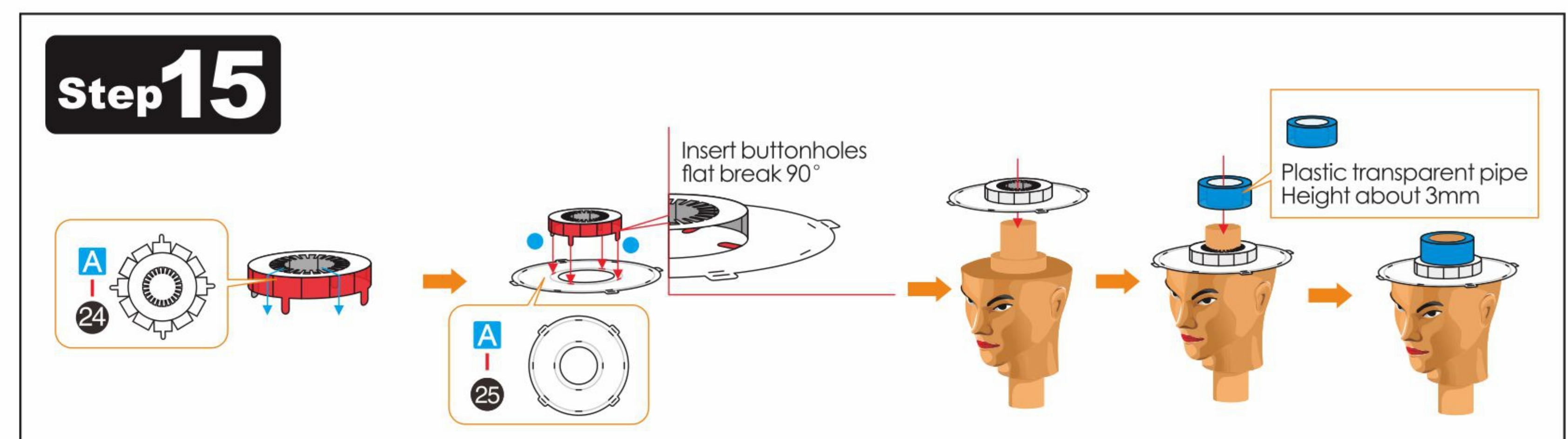
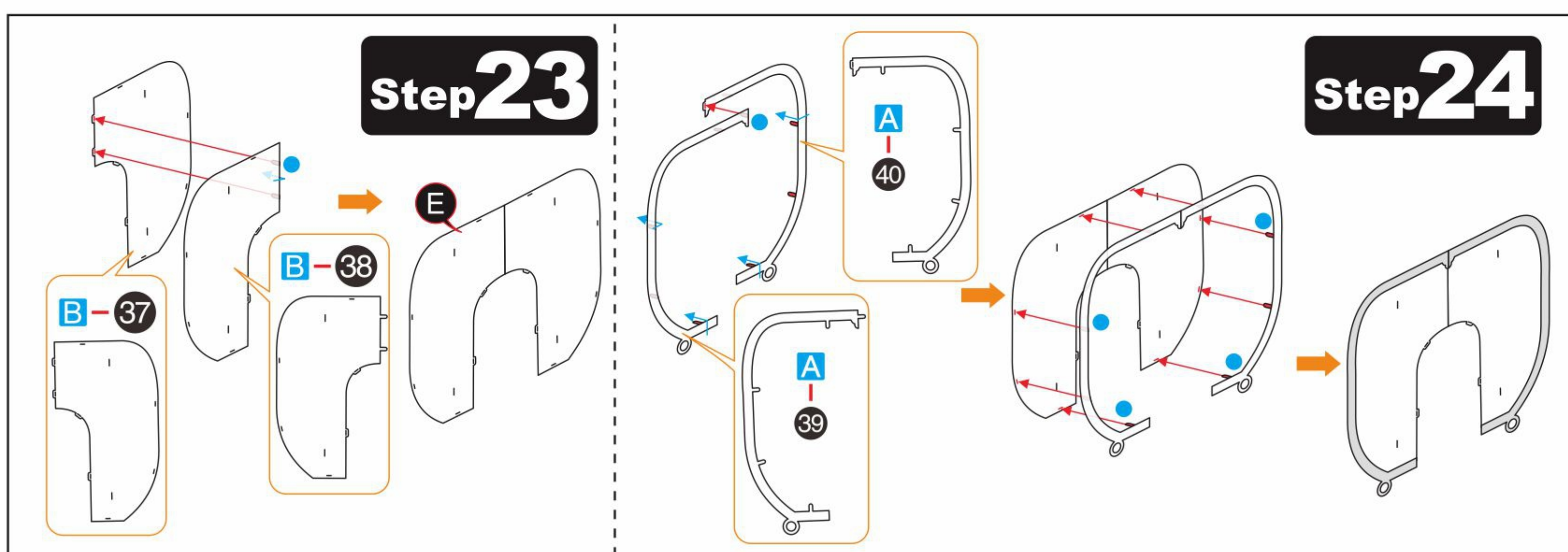
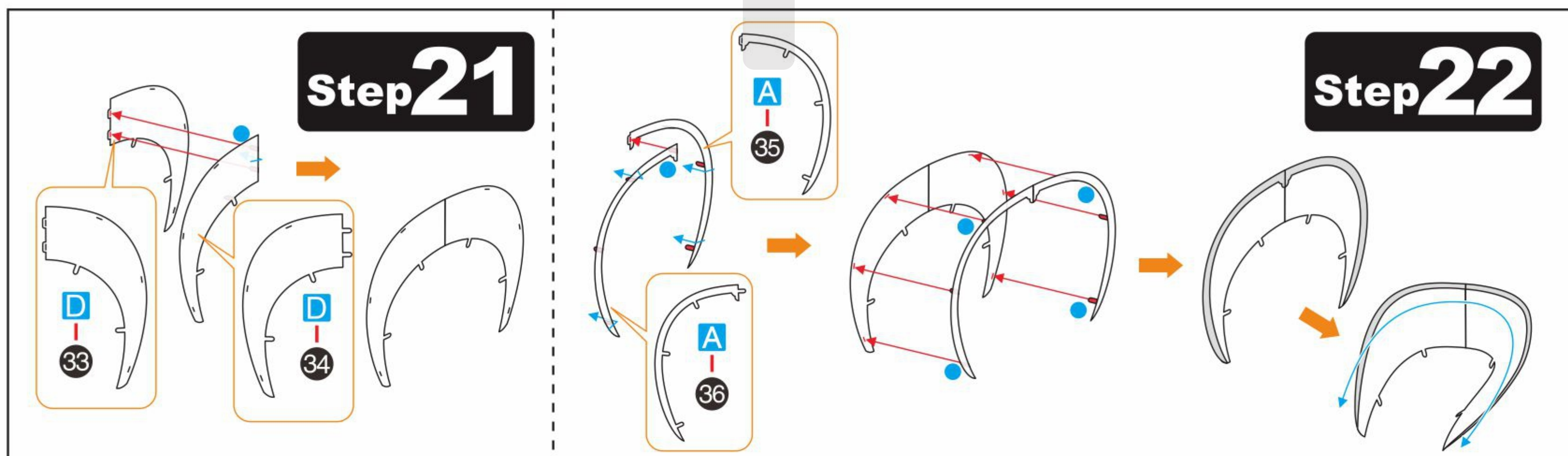
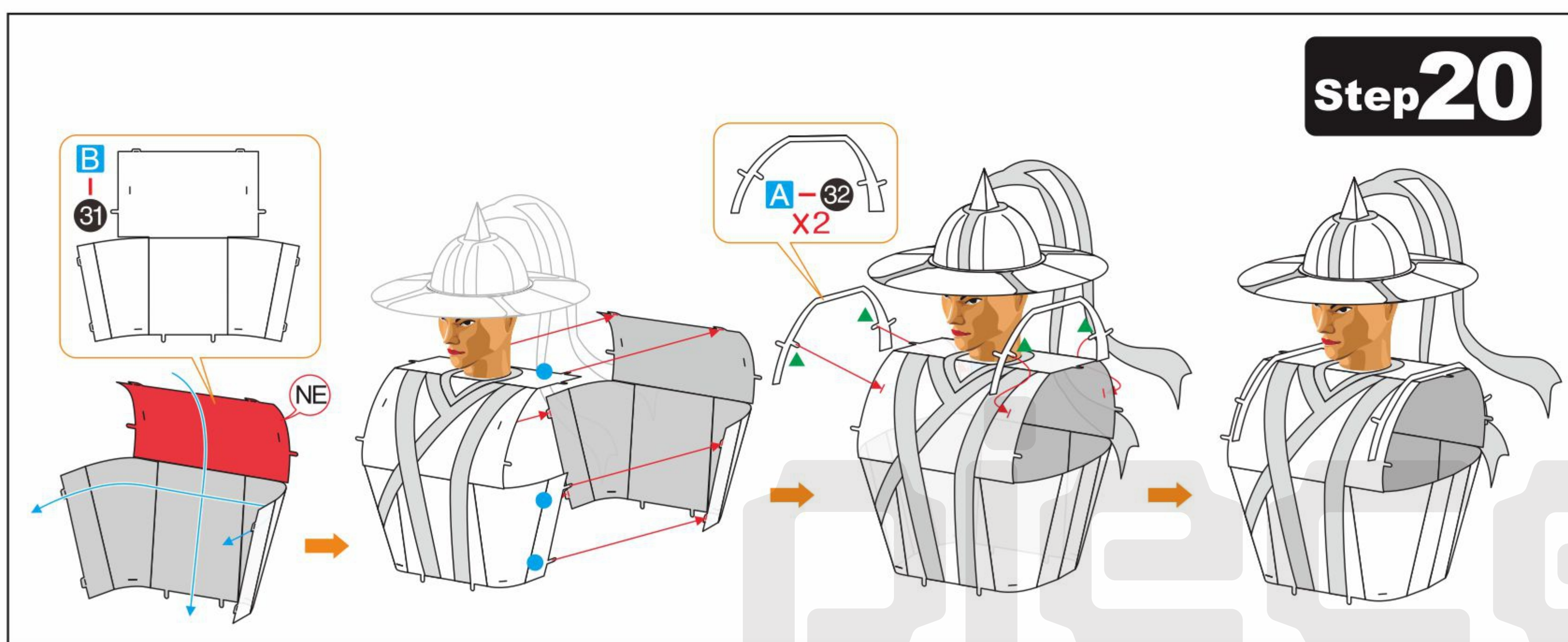
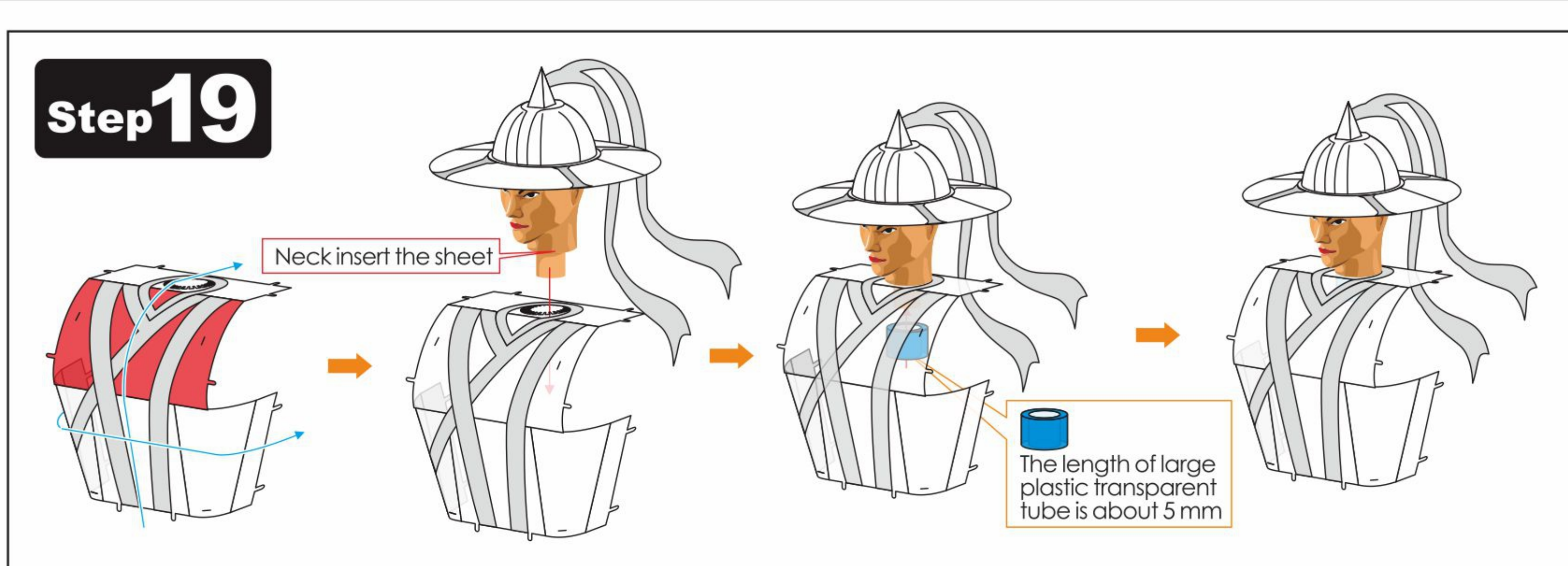
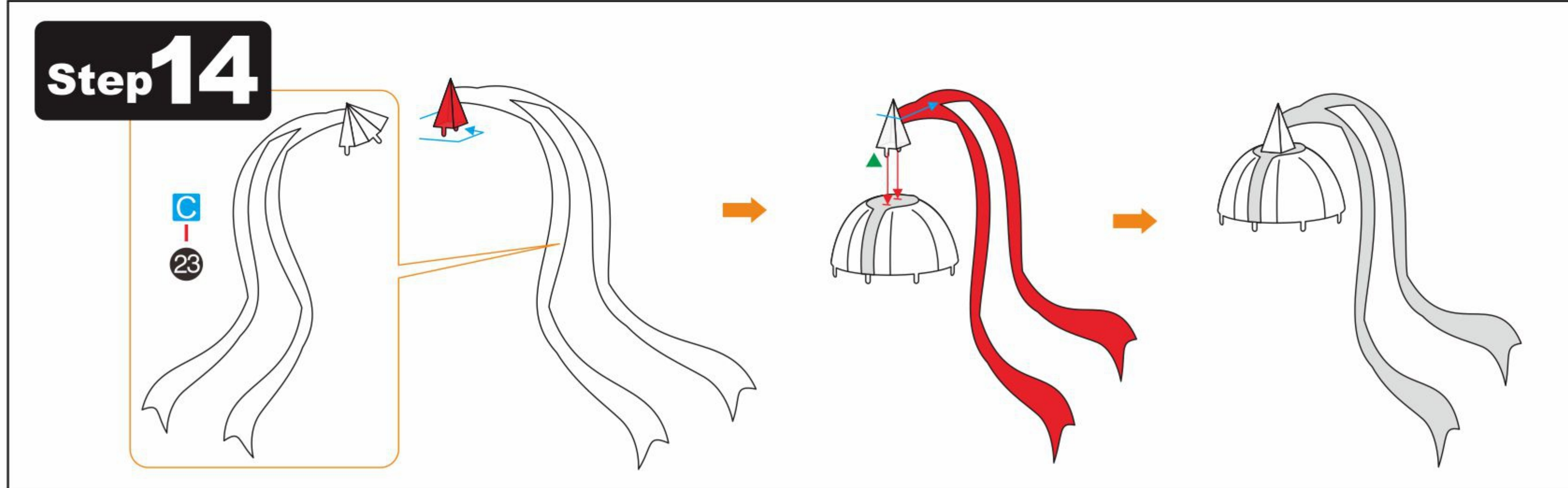
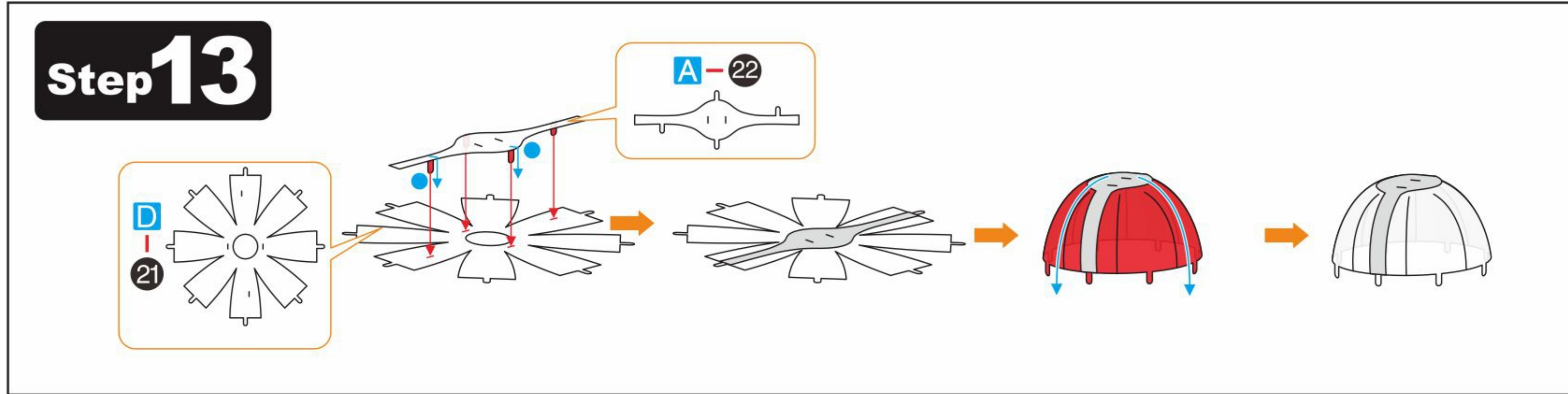
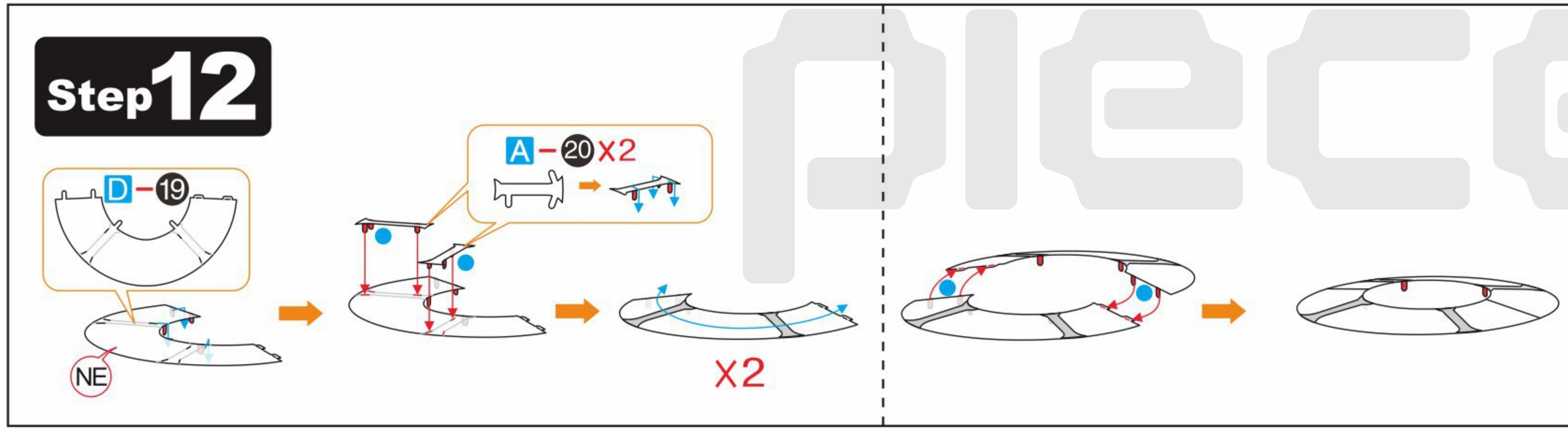
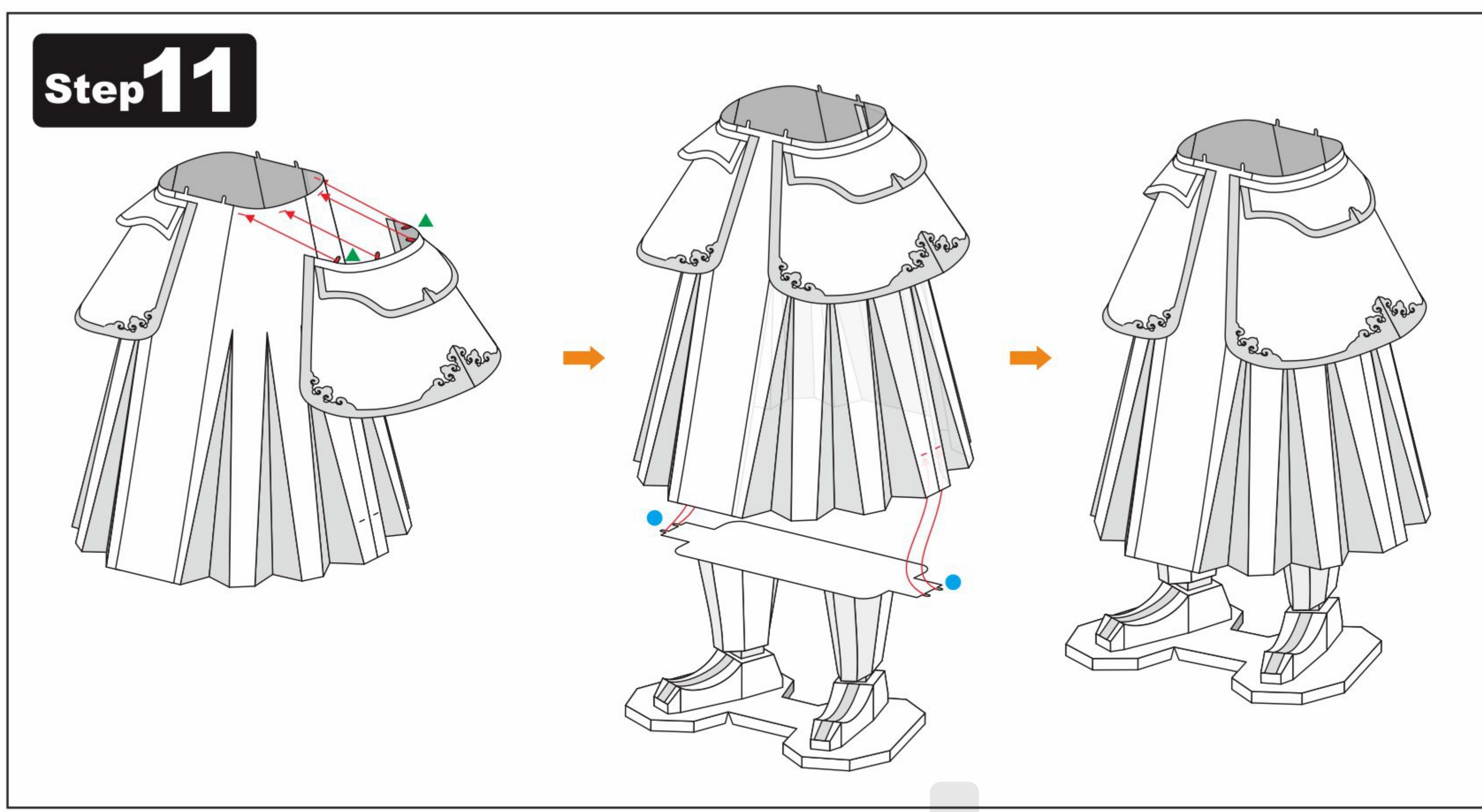


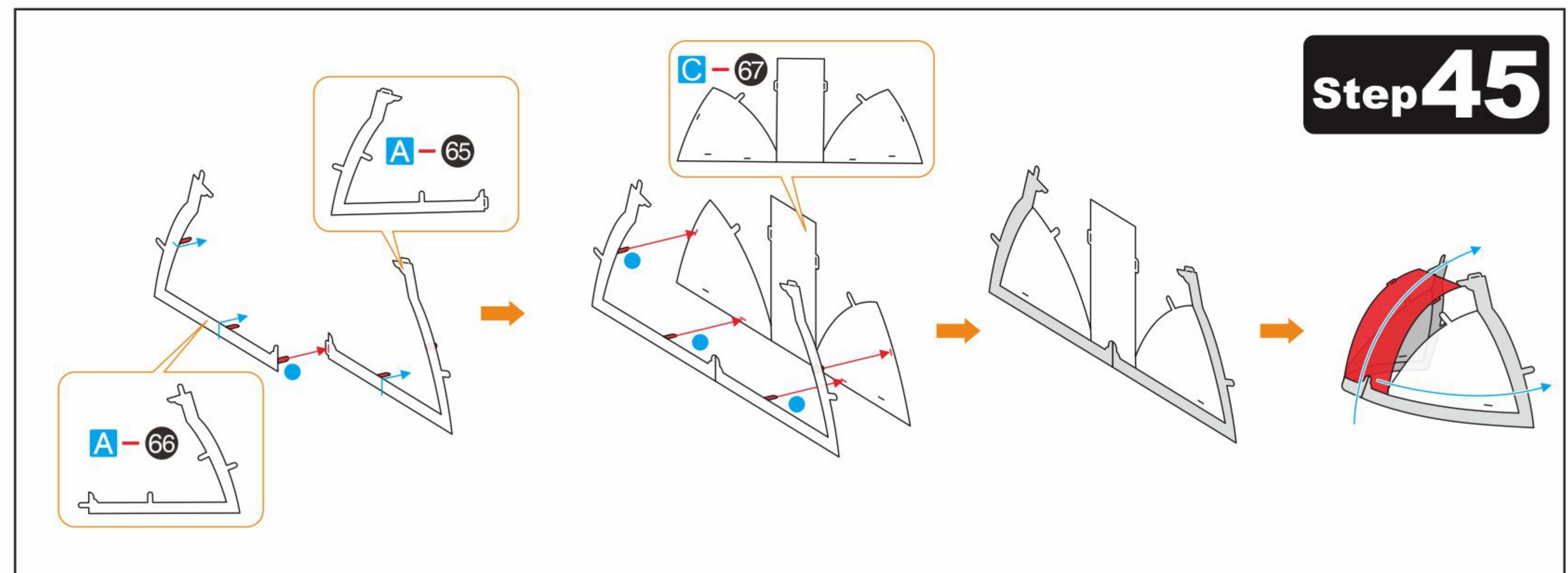
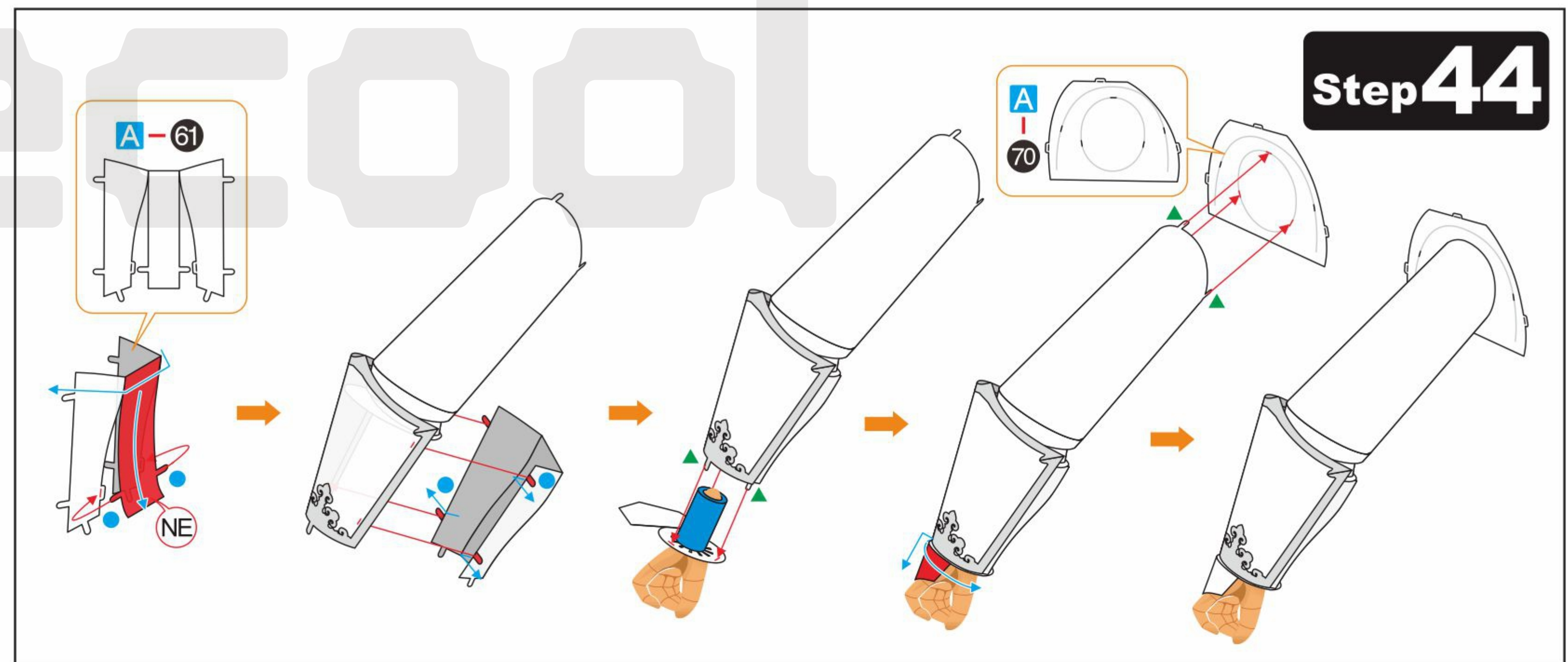
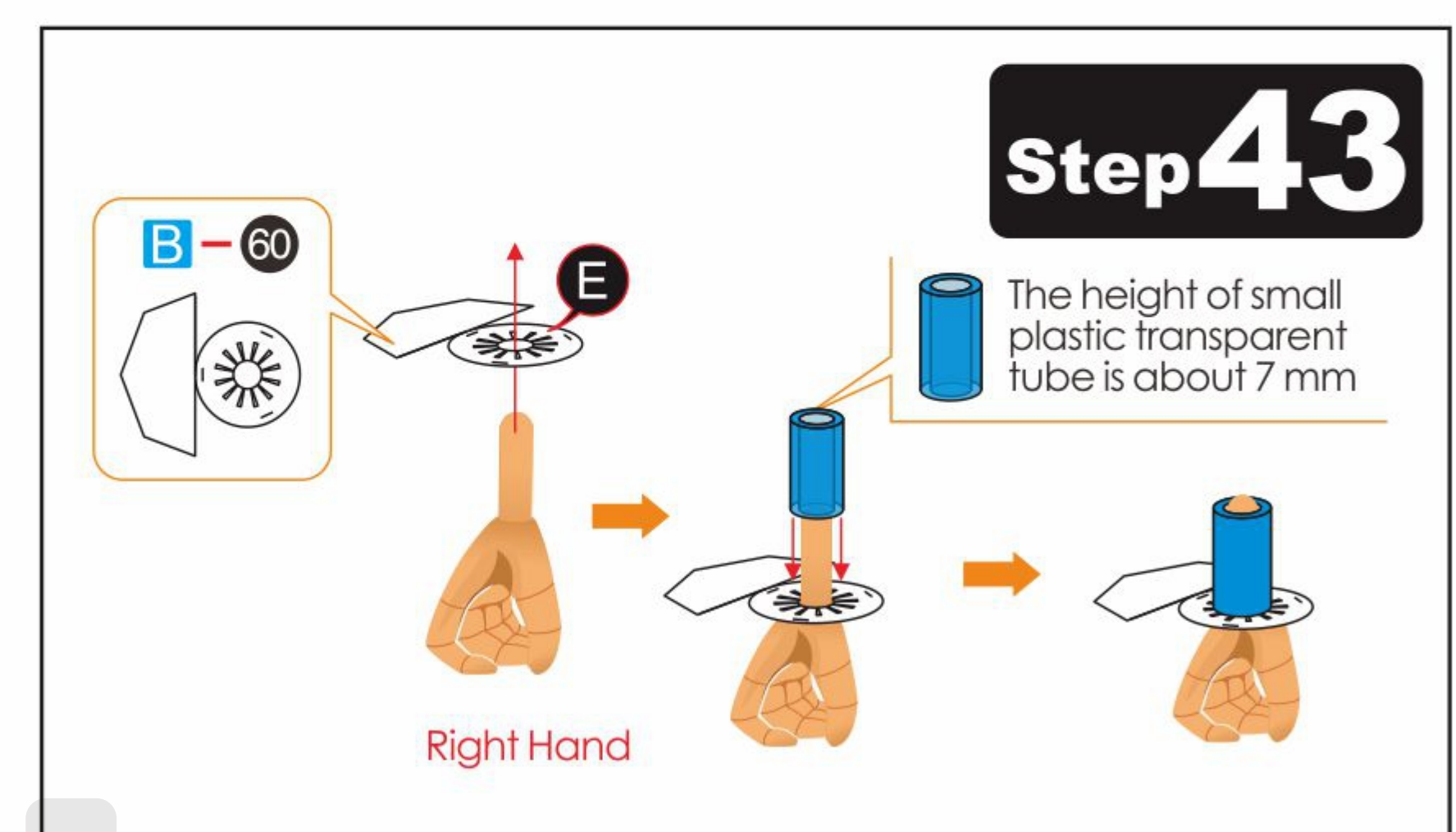
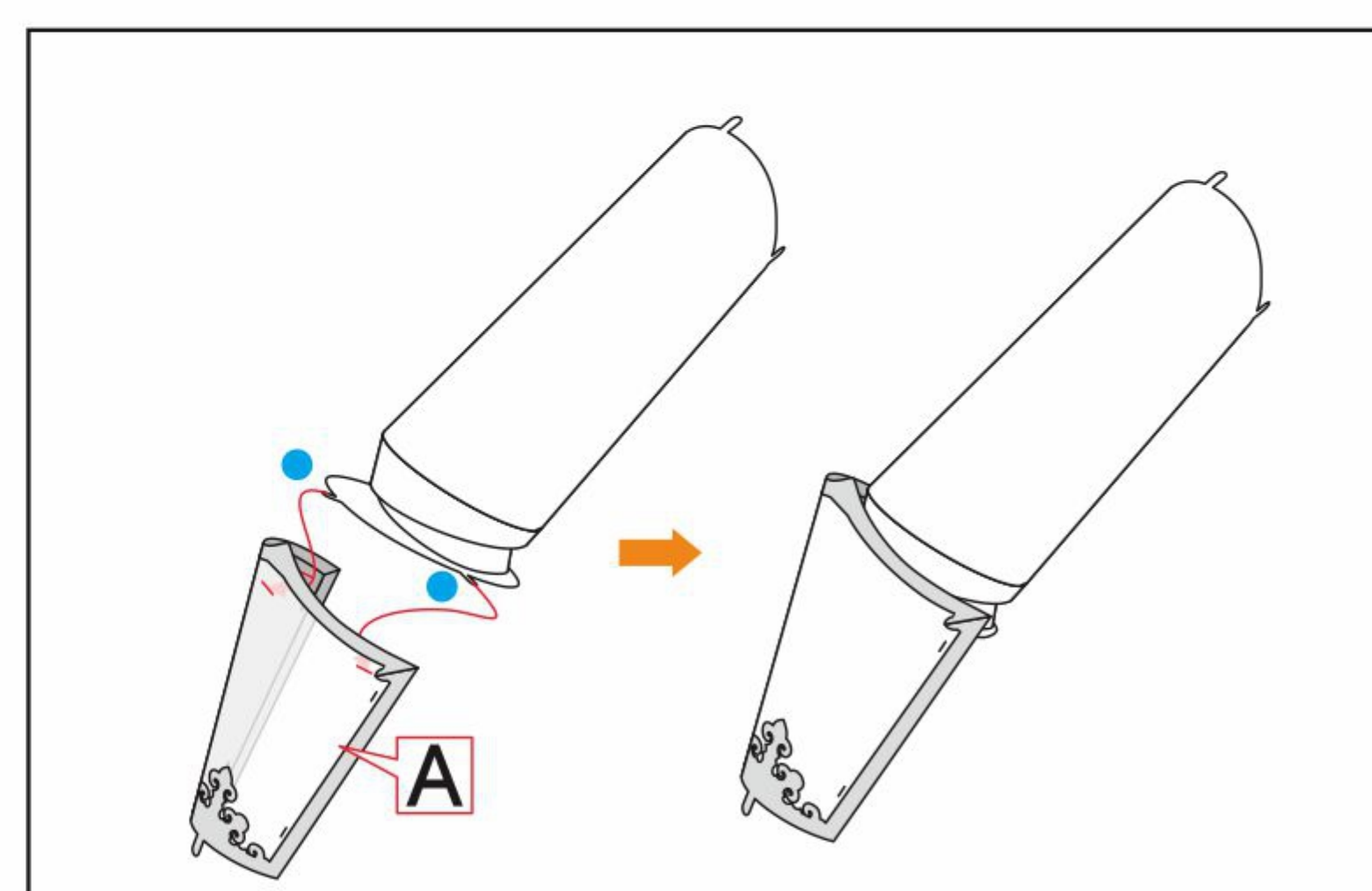
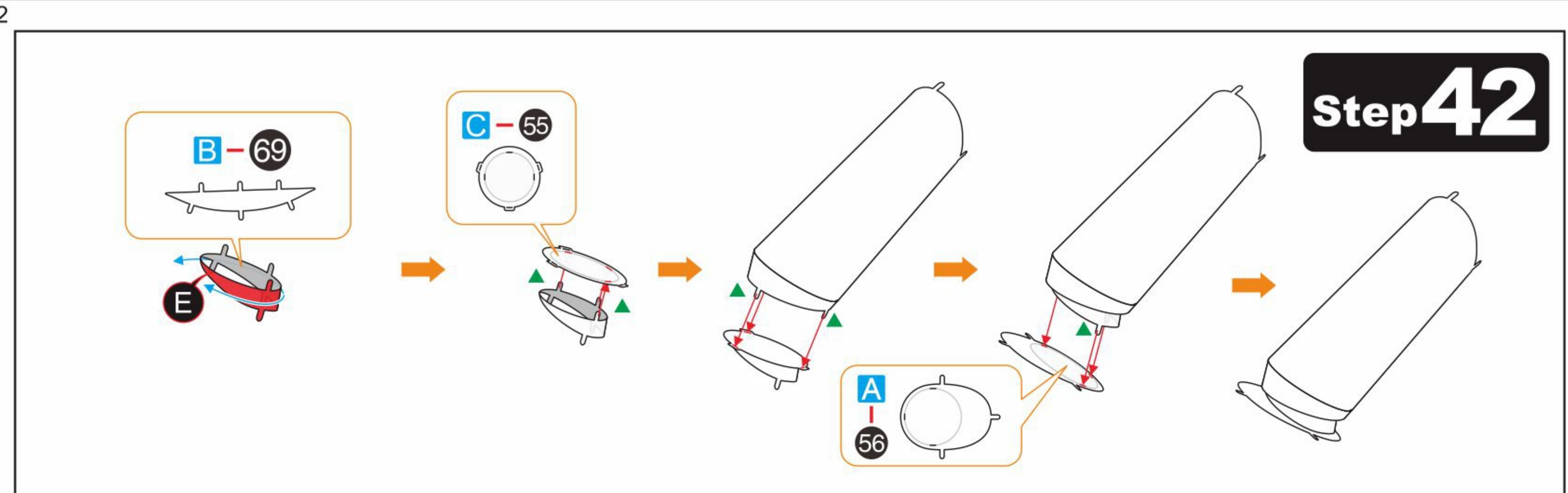
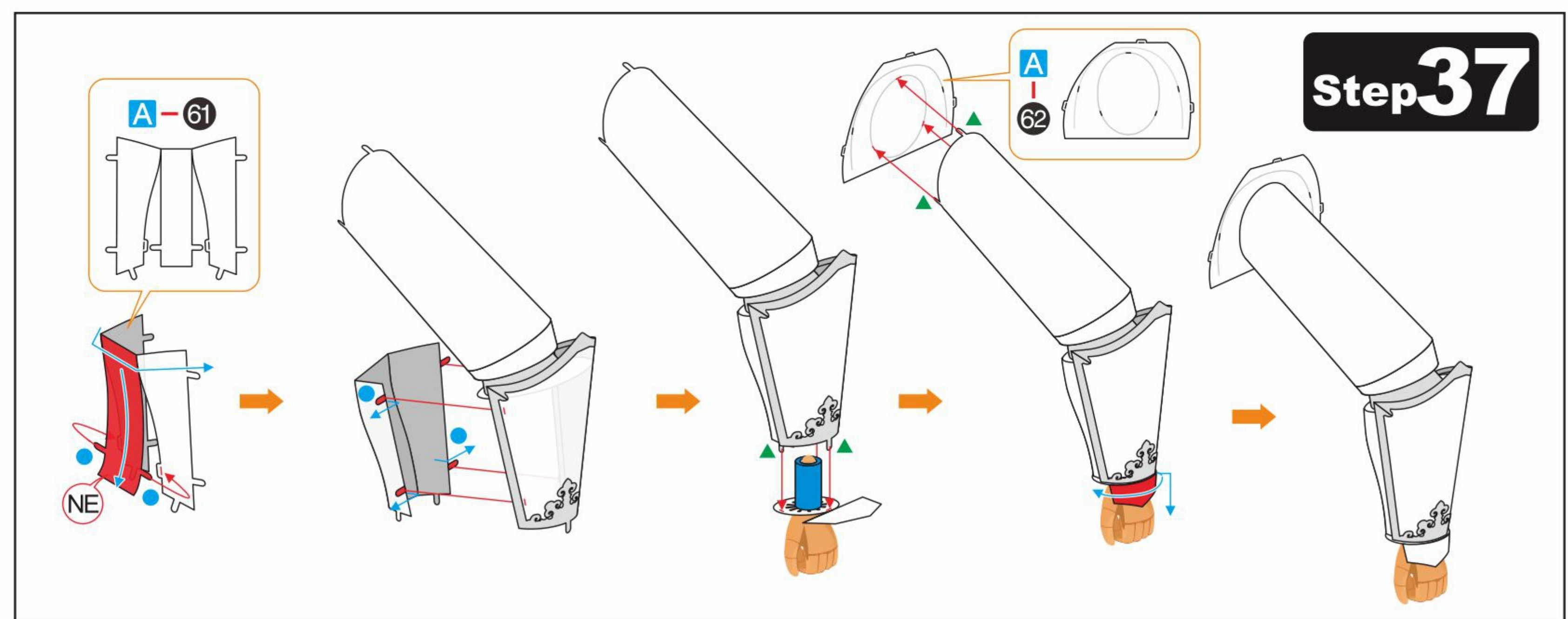
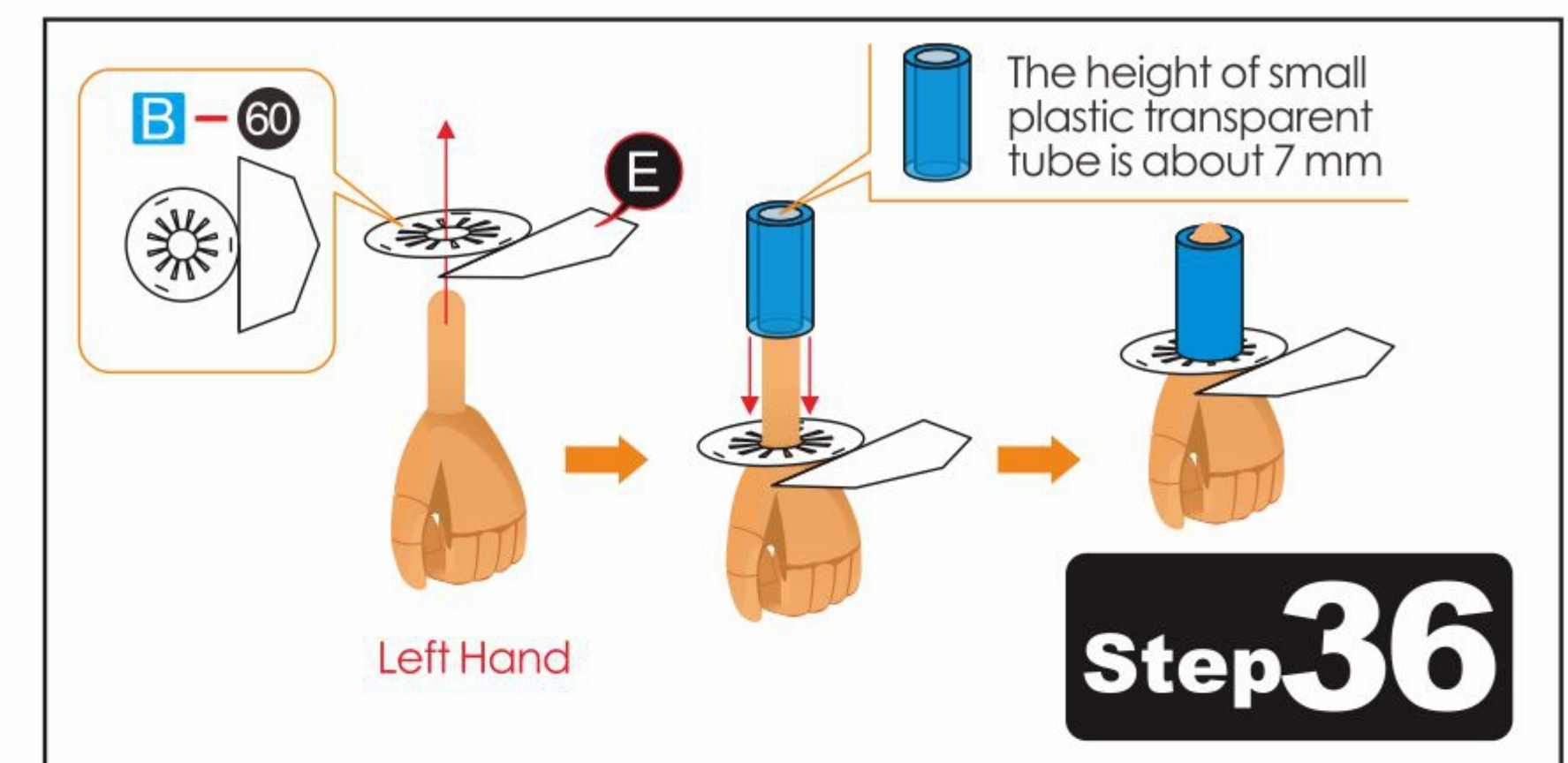
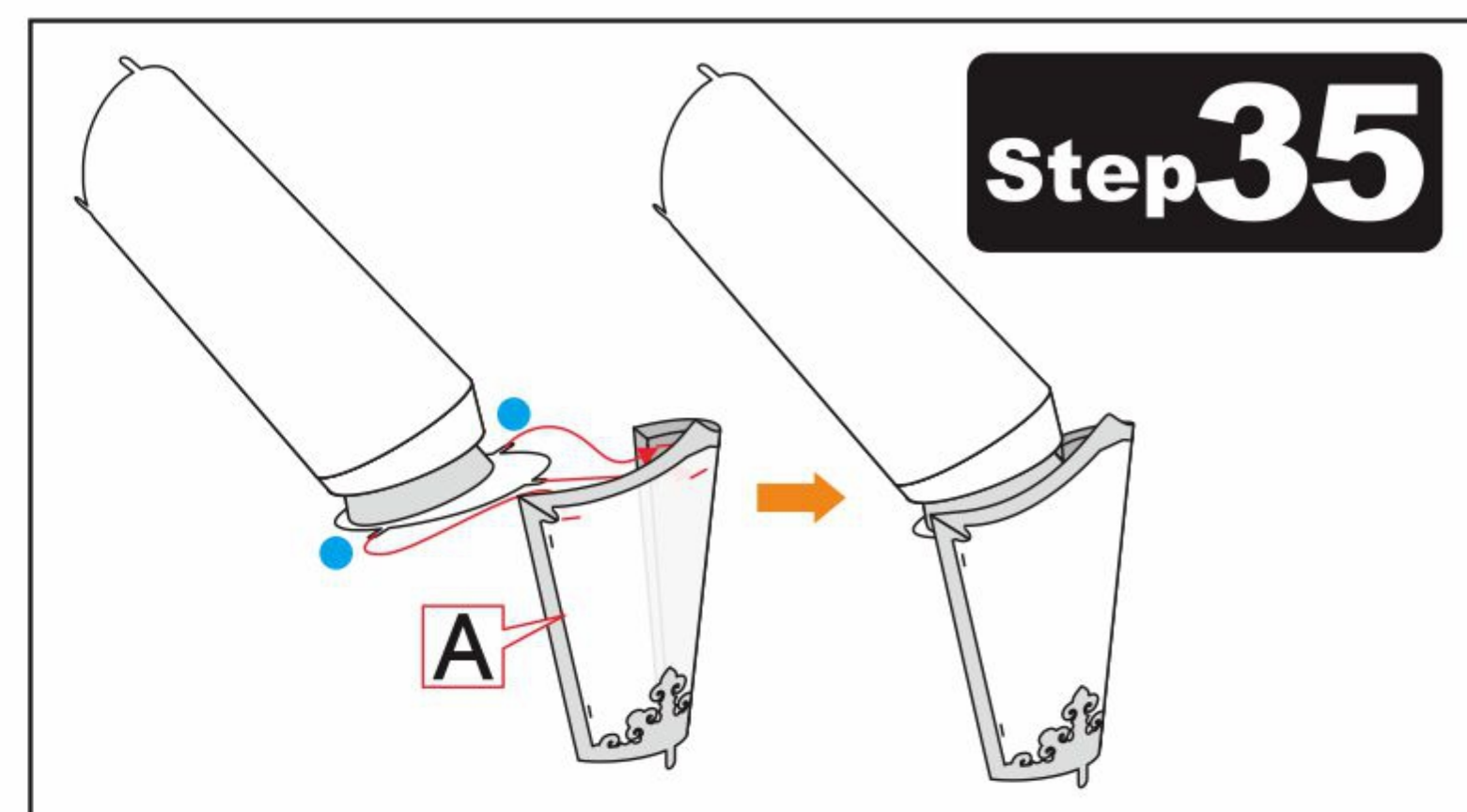
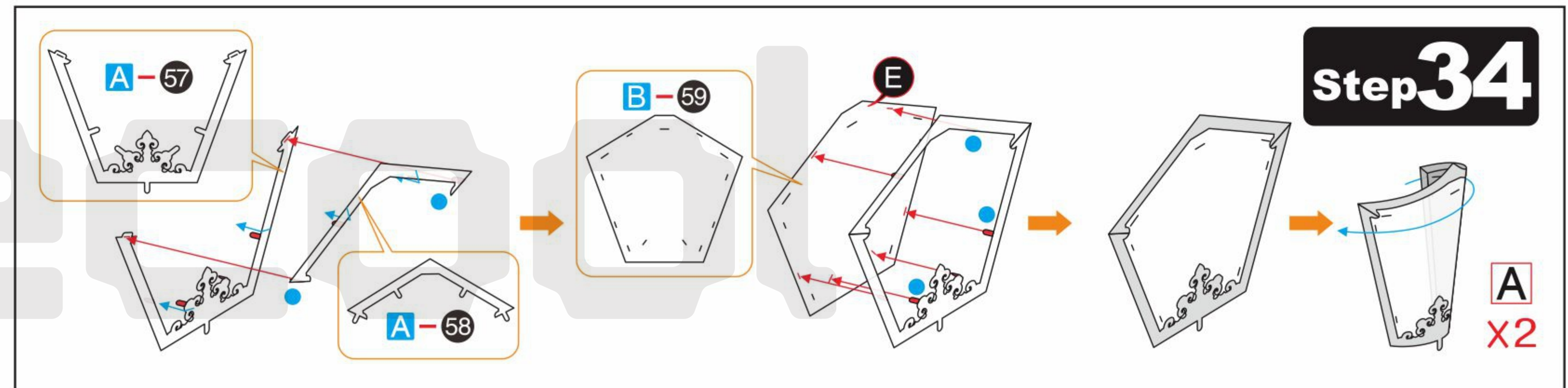
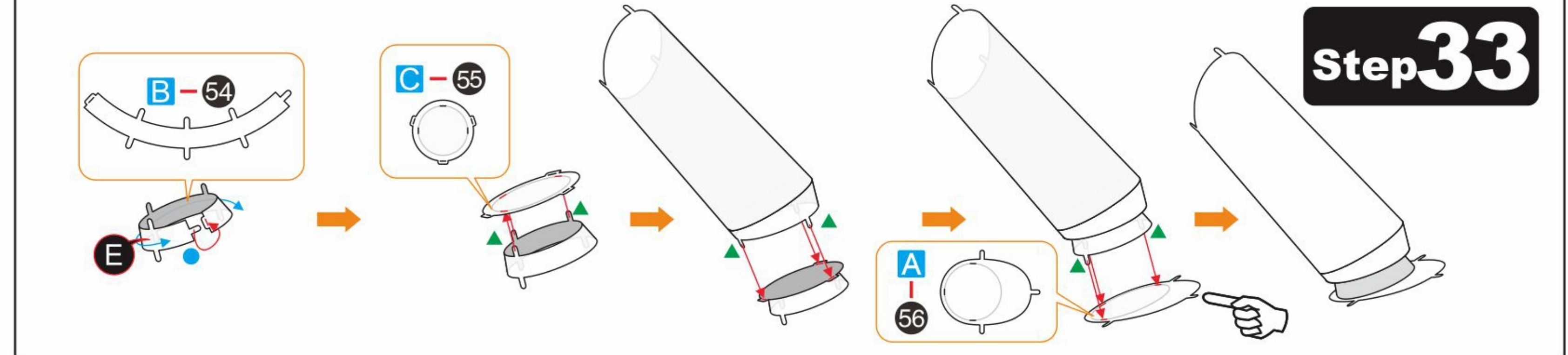
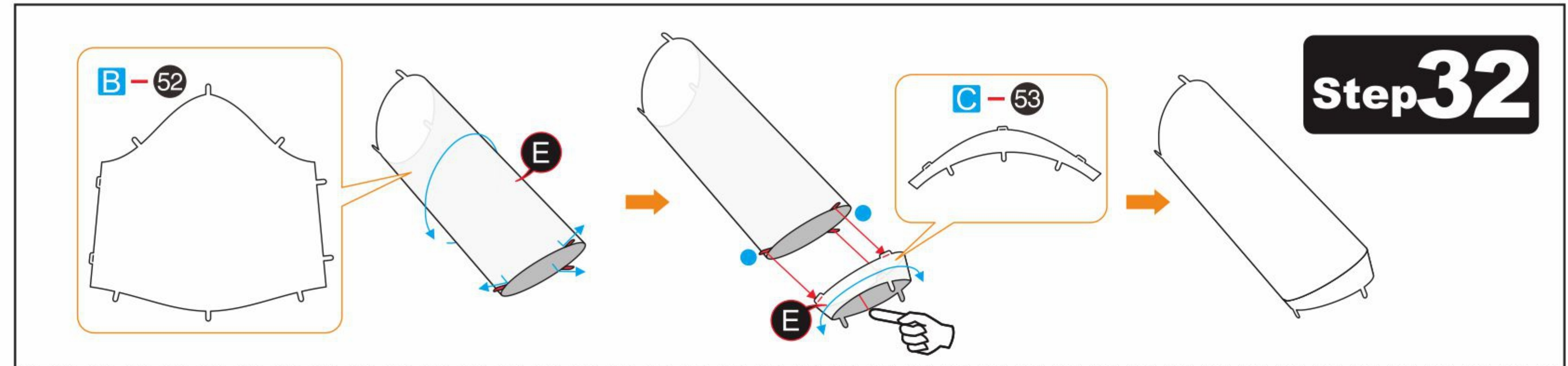
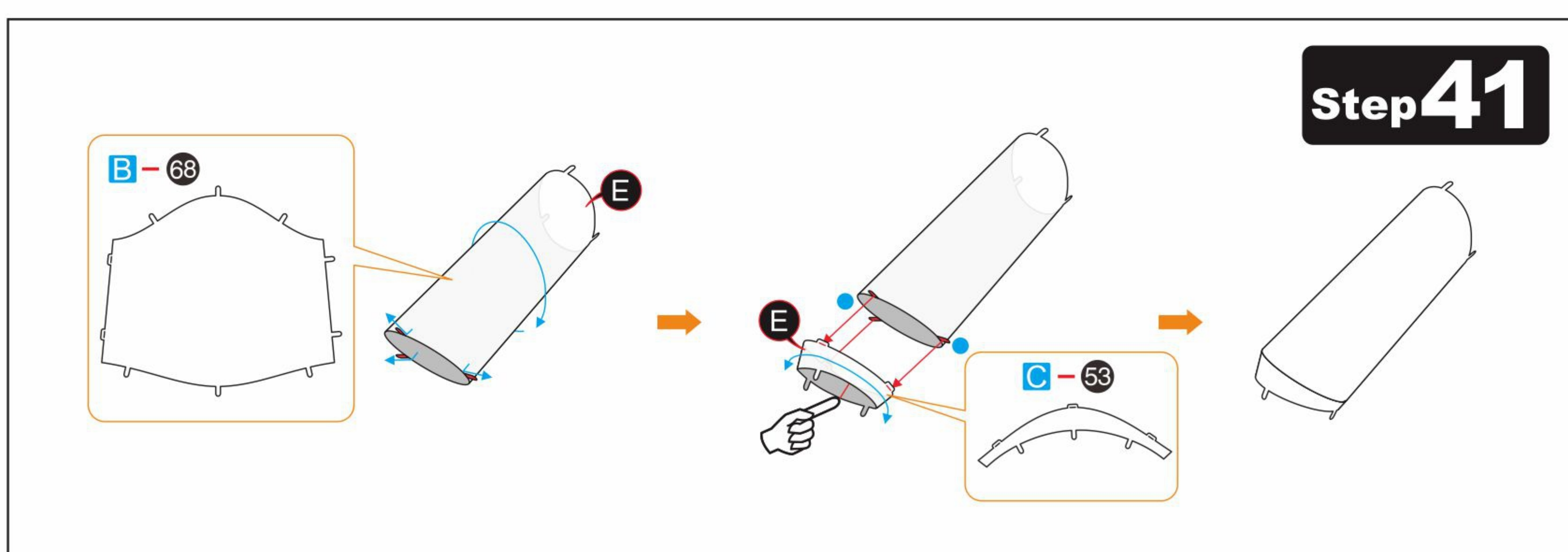
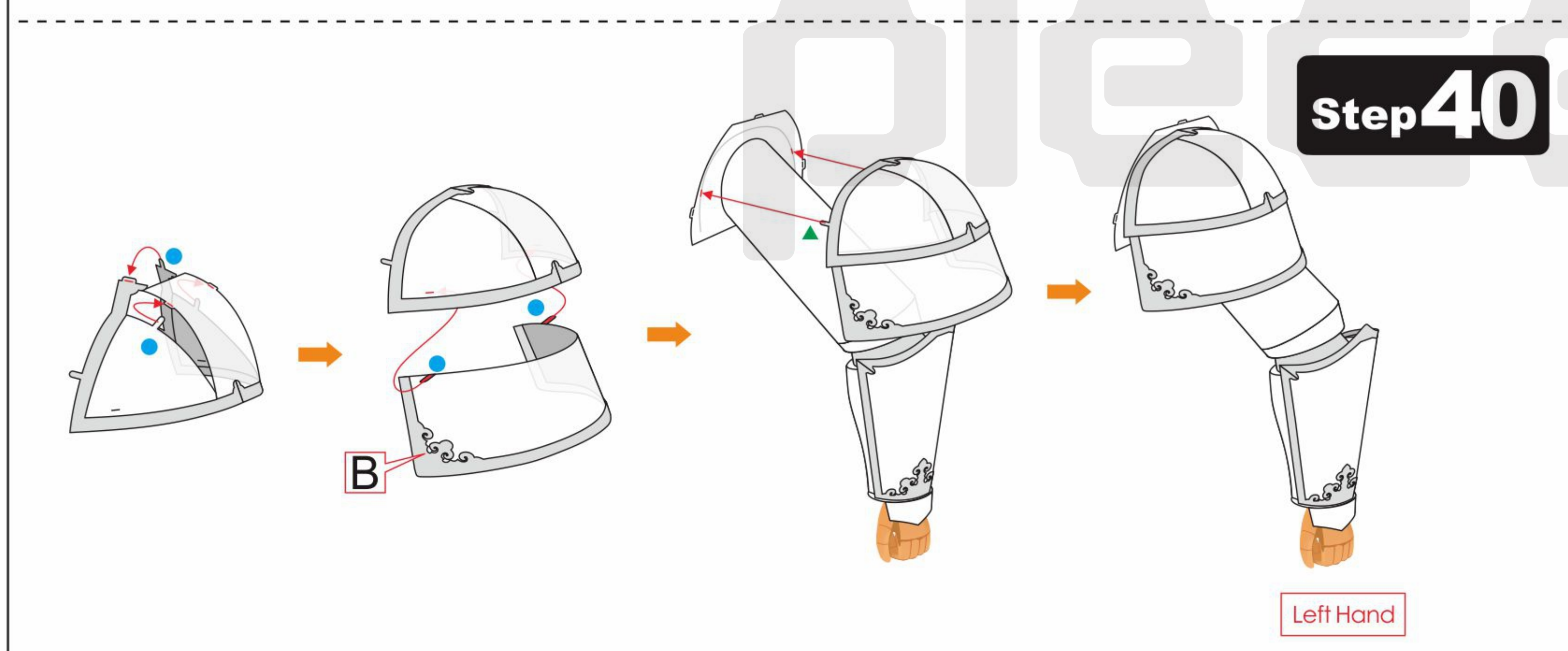
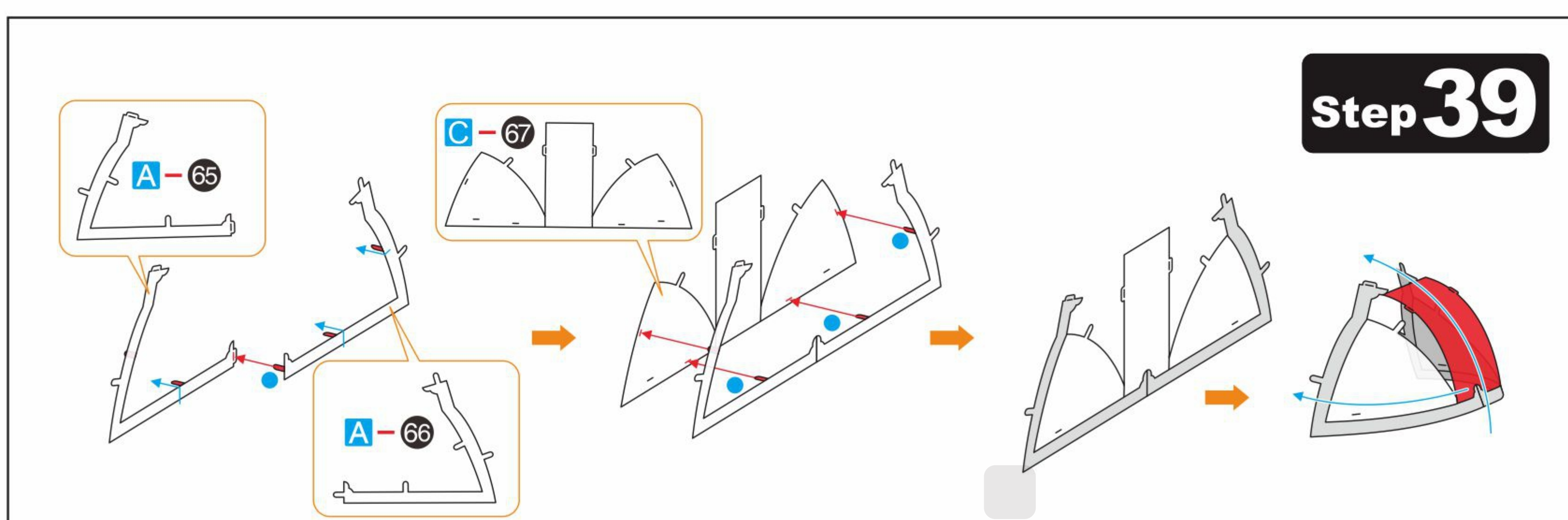
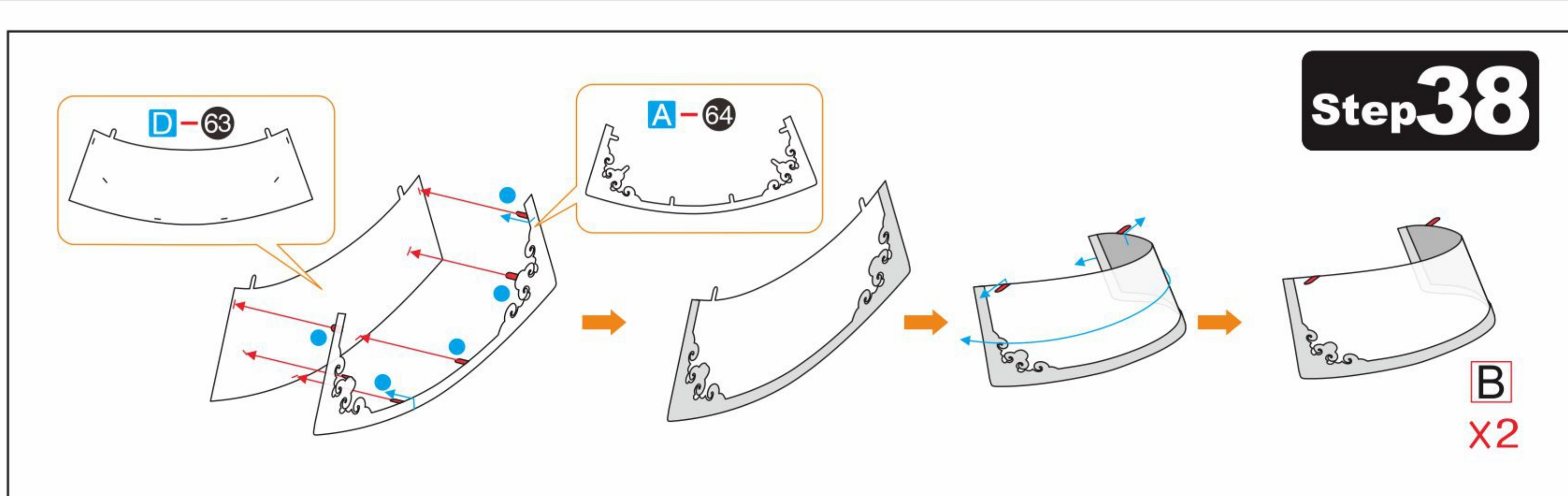
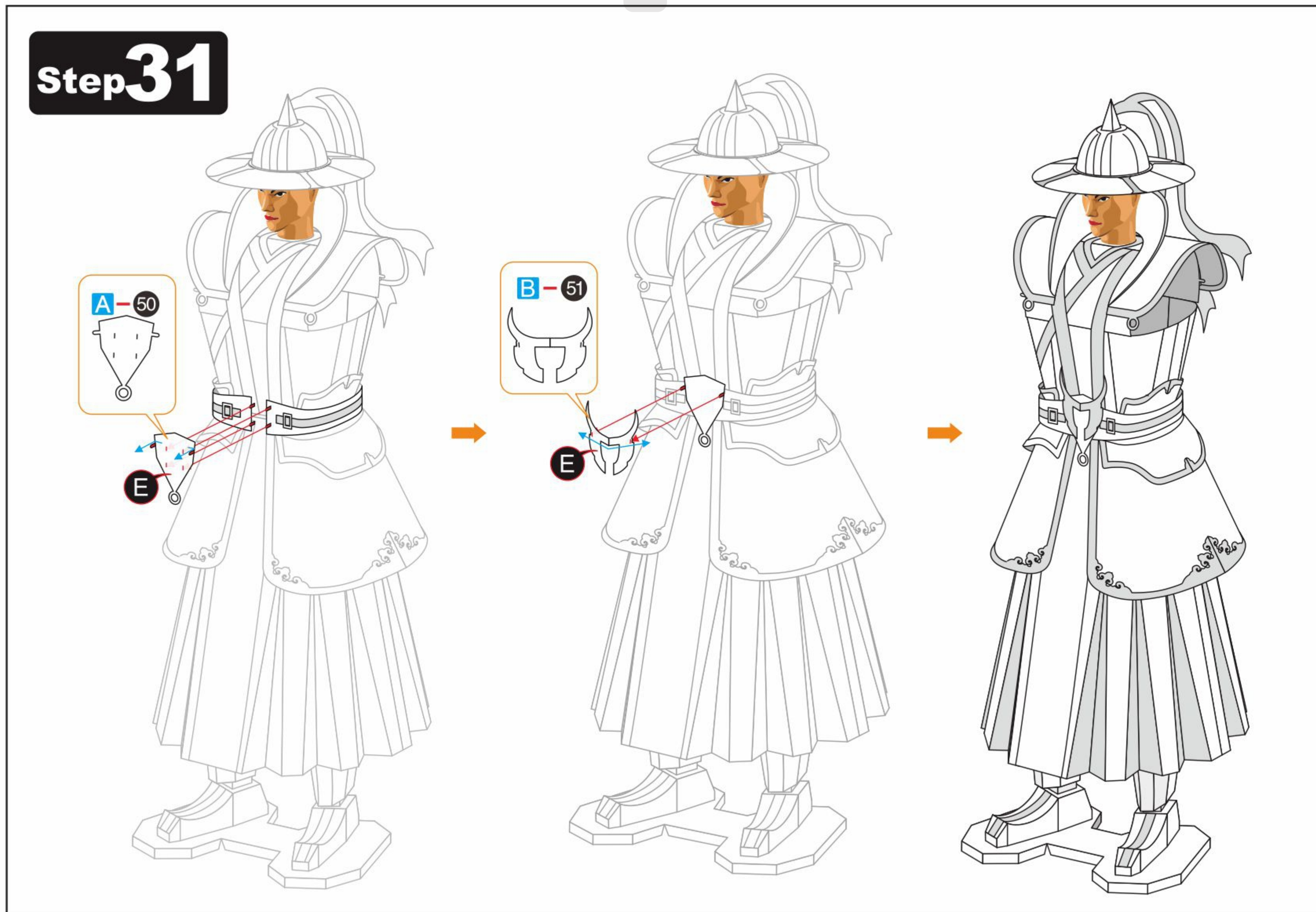
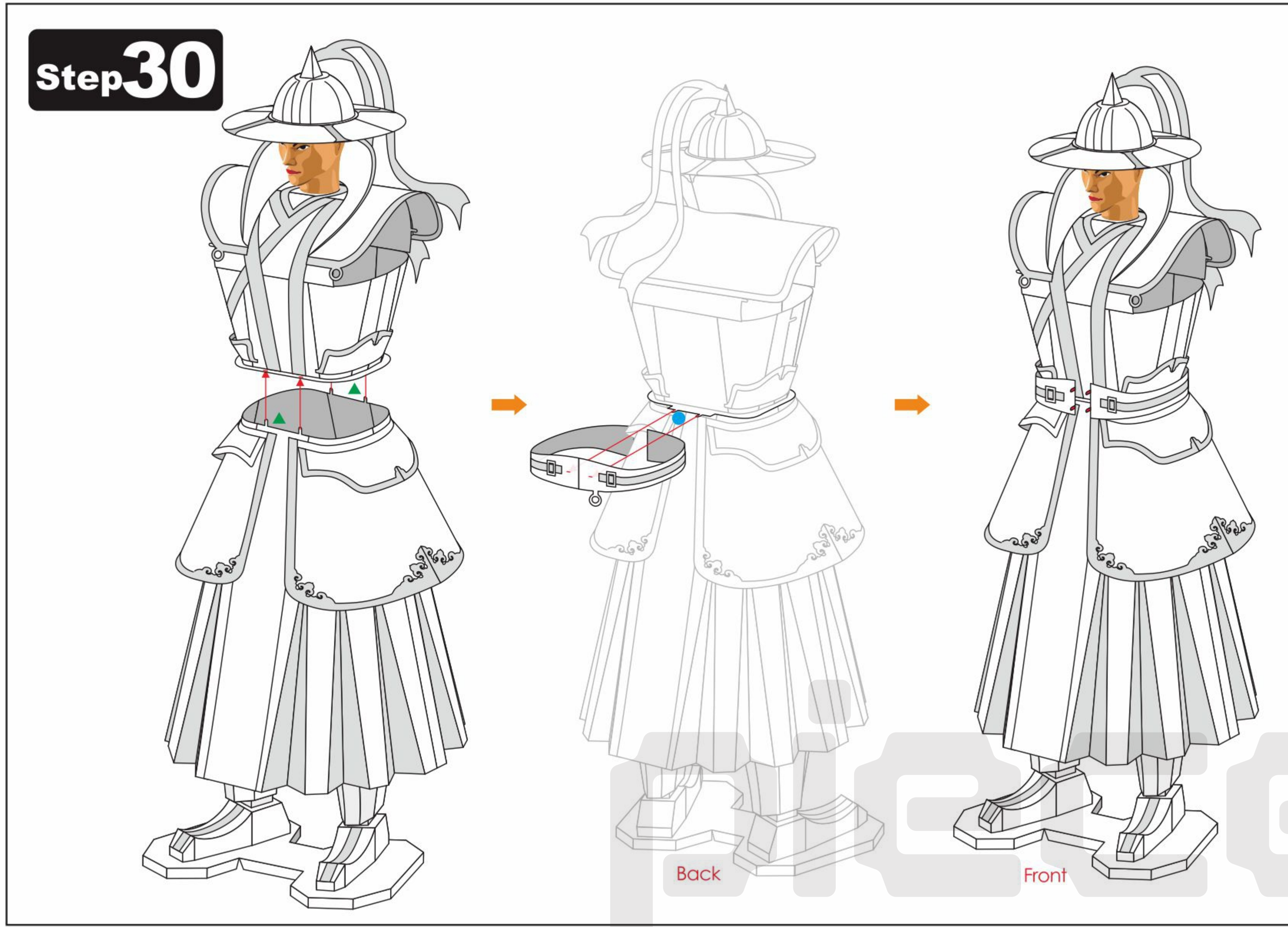
Step 9



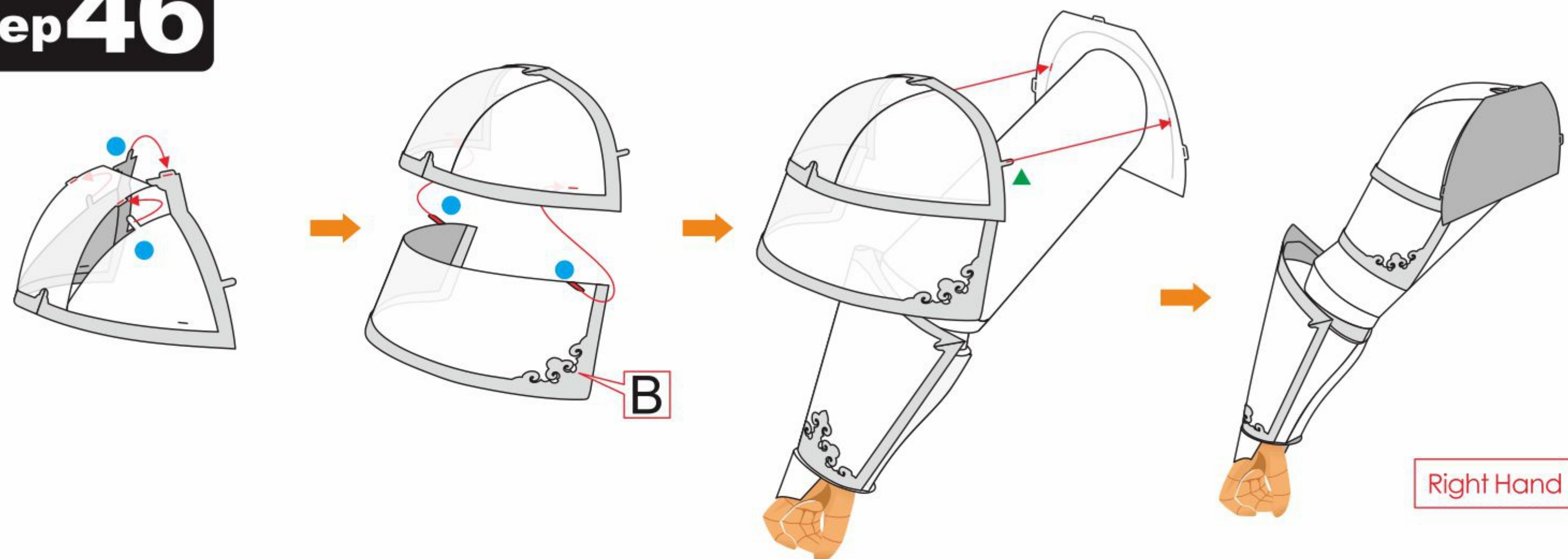
Step 10



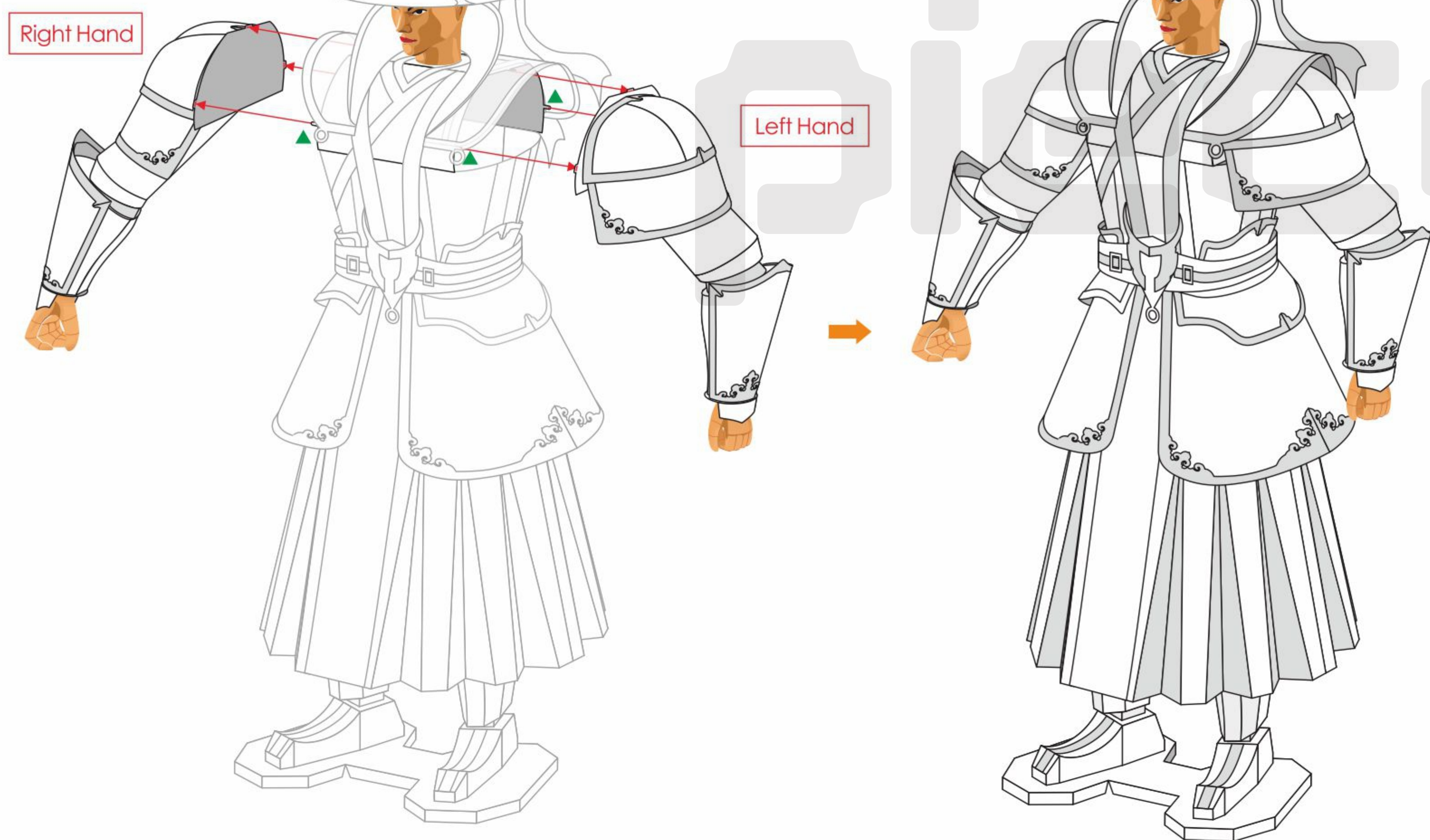




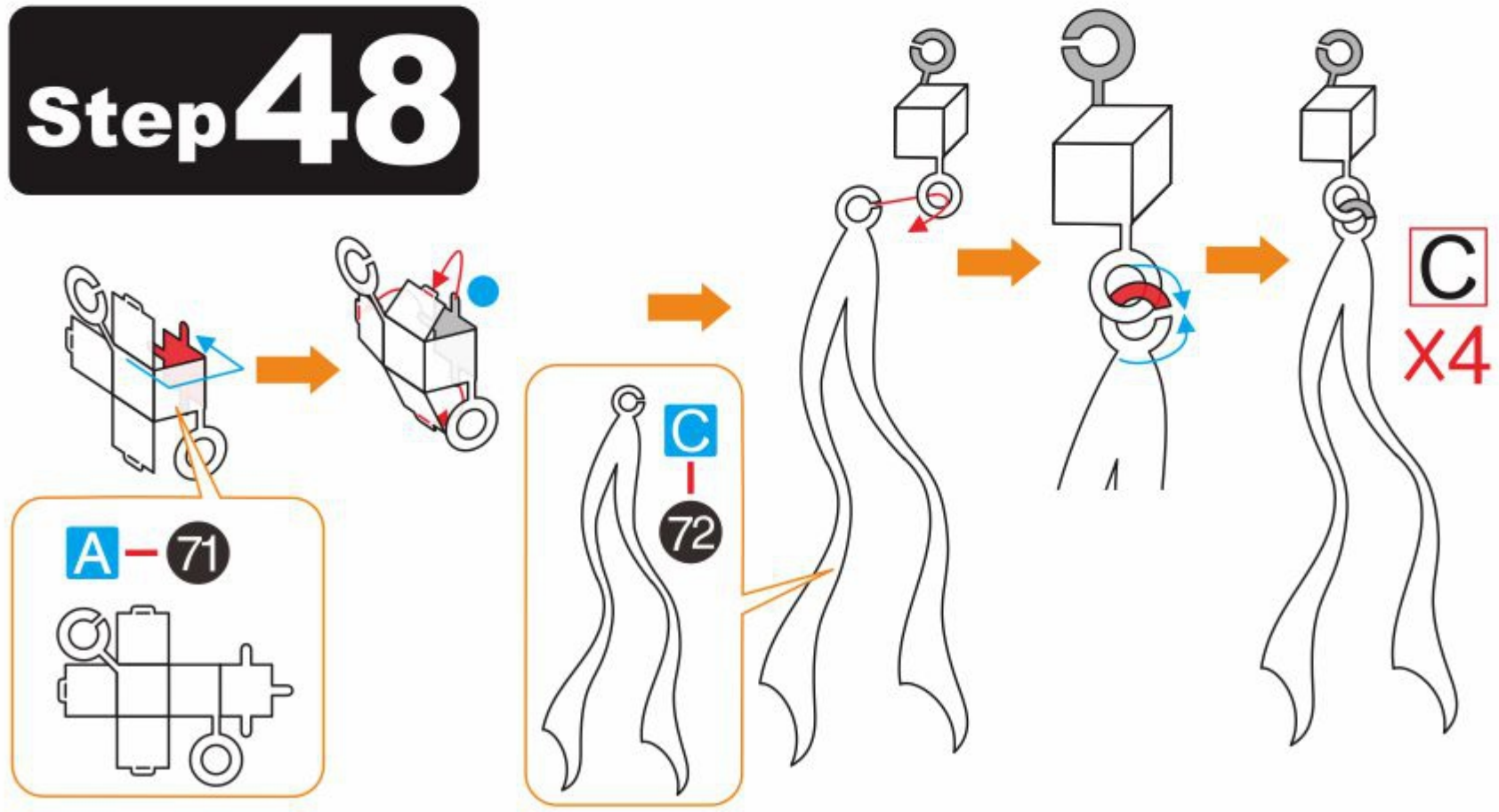
Step 46



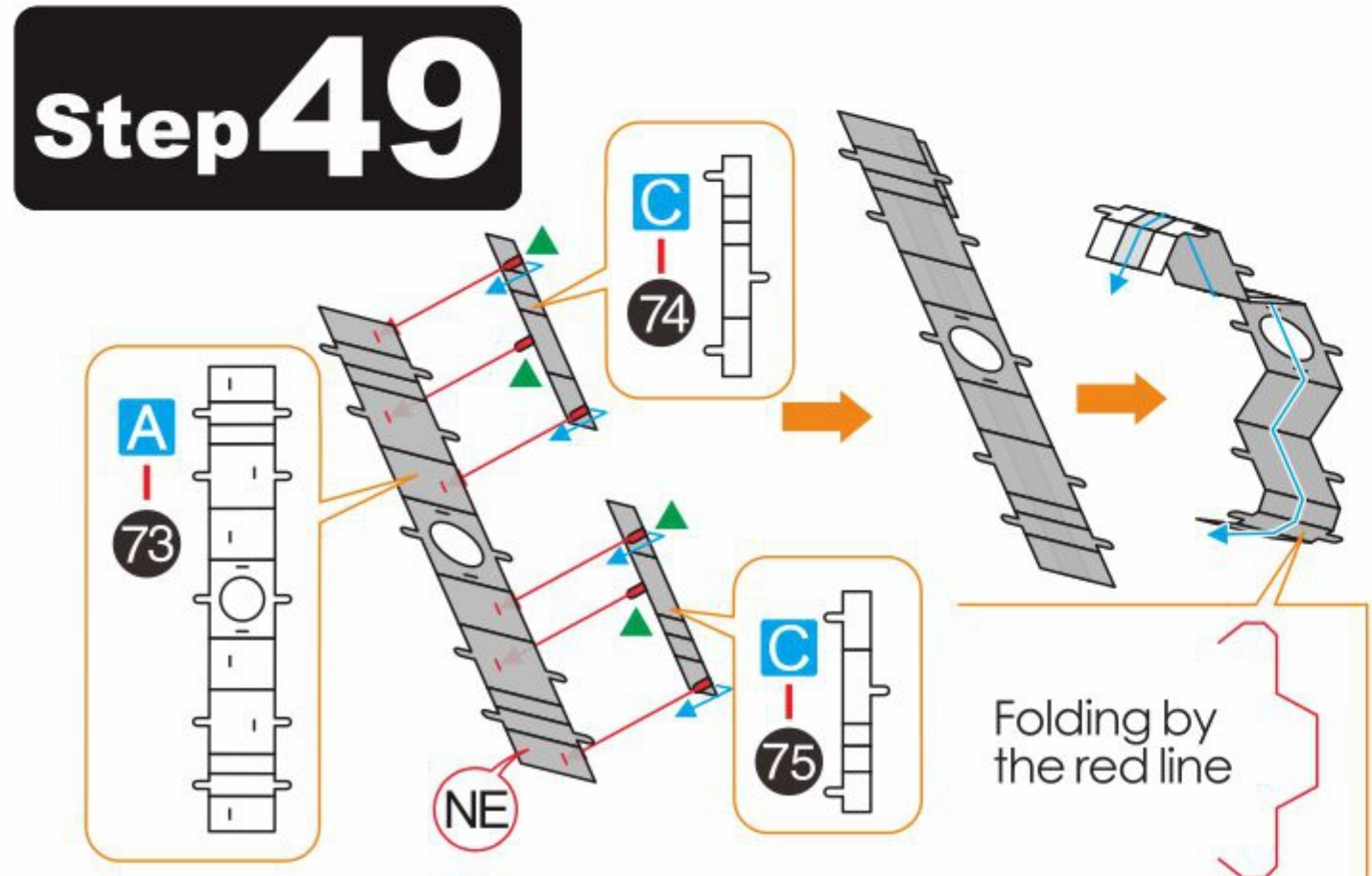
Step 47



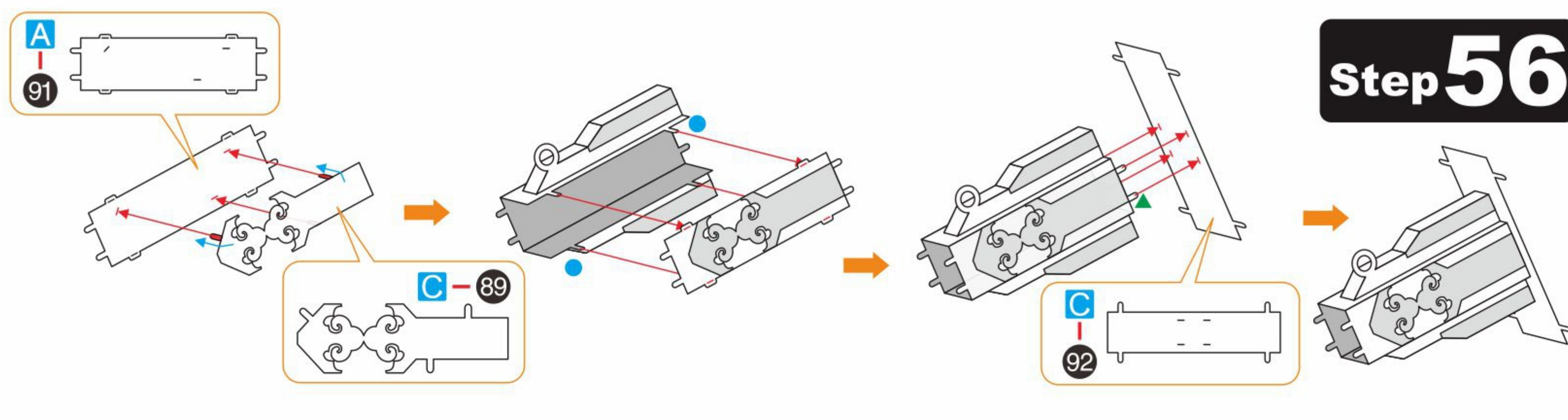
Step 48



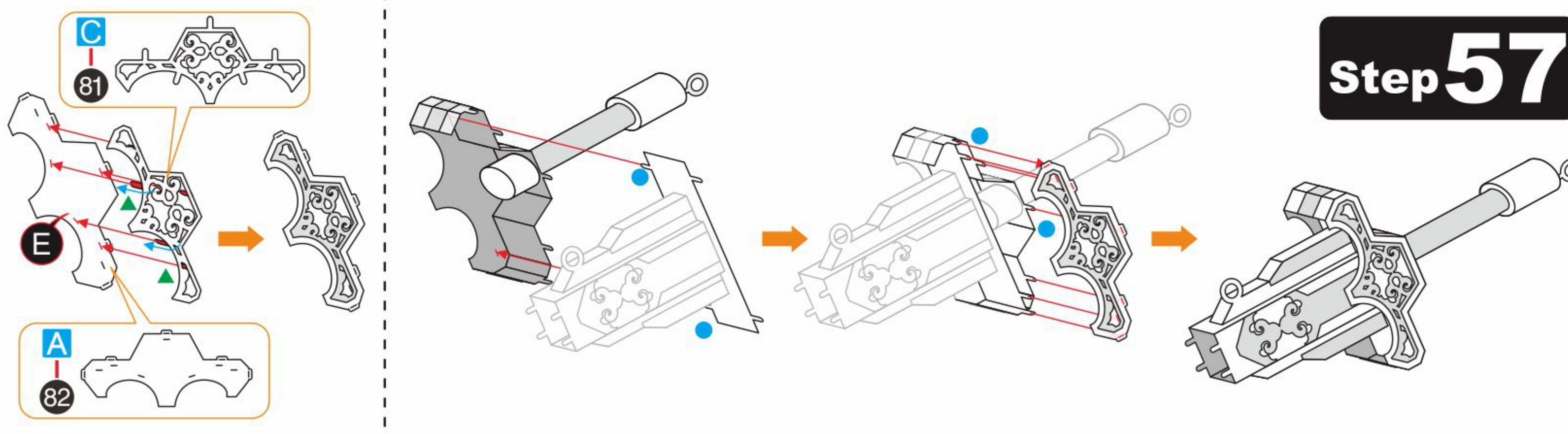
Step 49



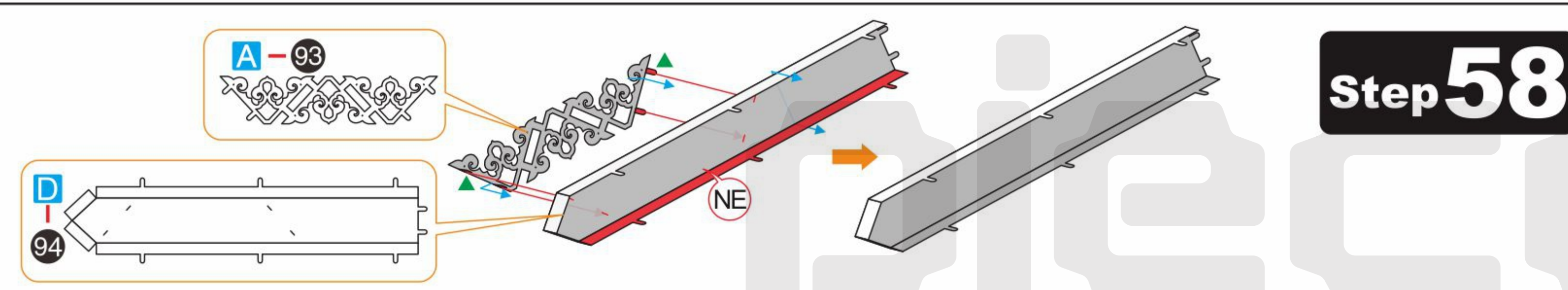
Step 56



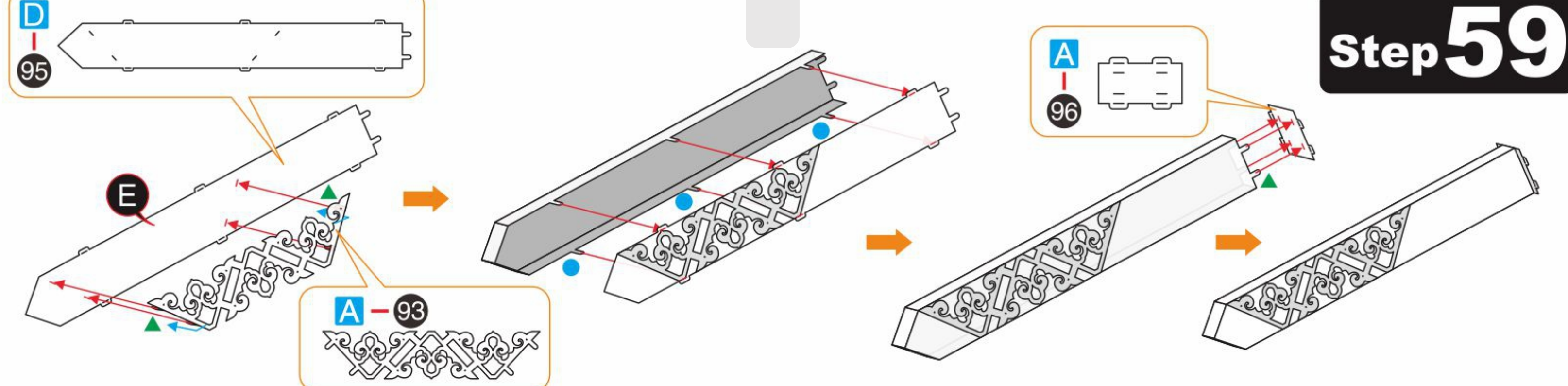
Step 57



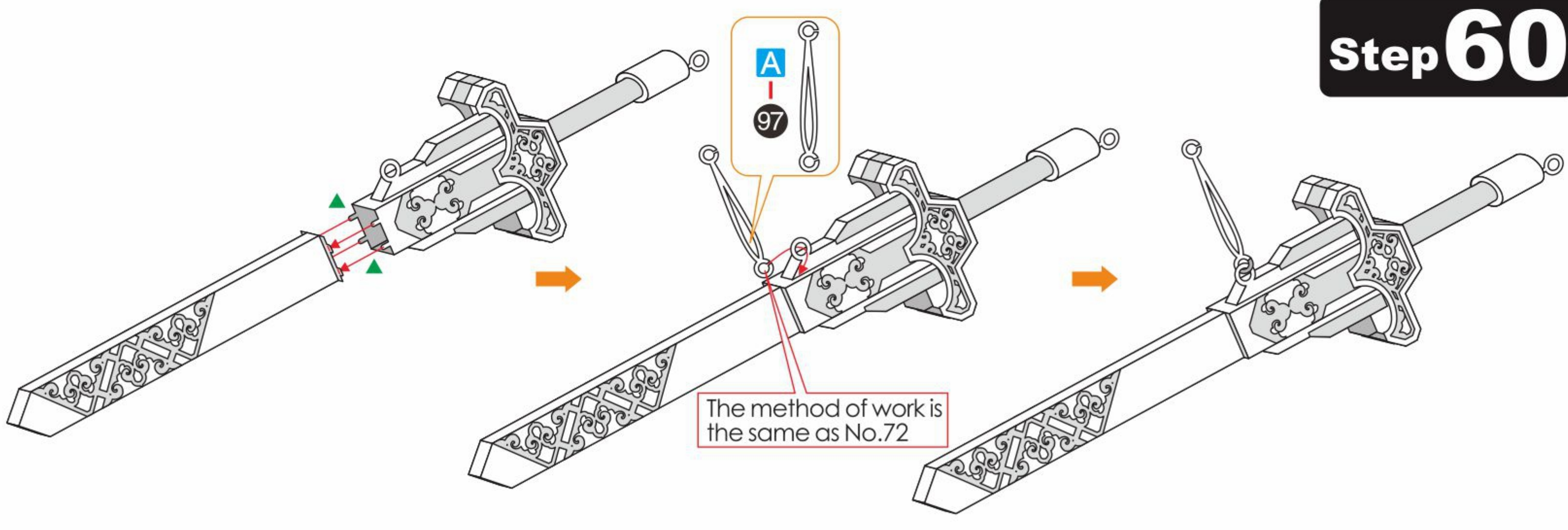
Step 58



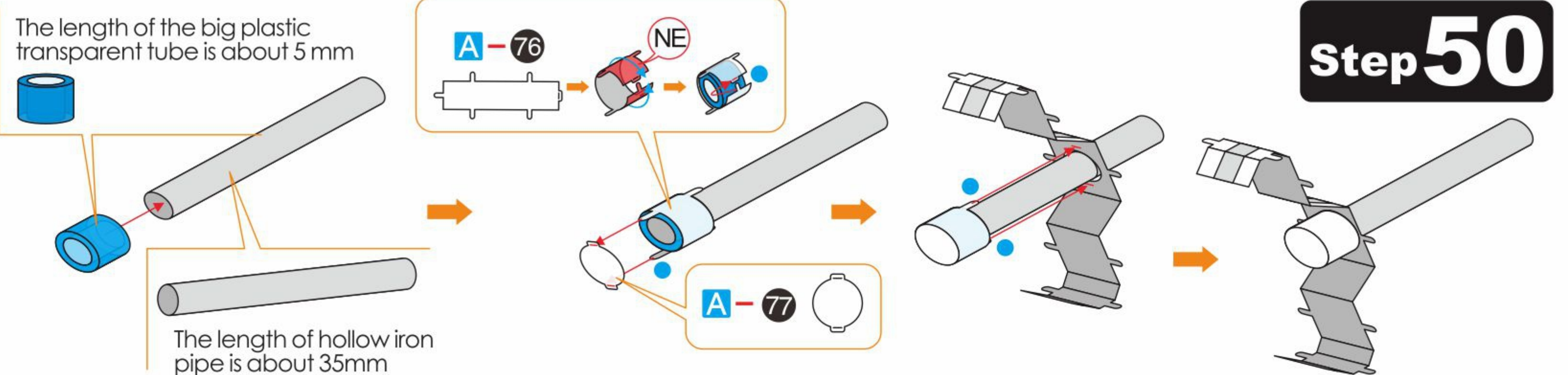
Step 59



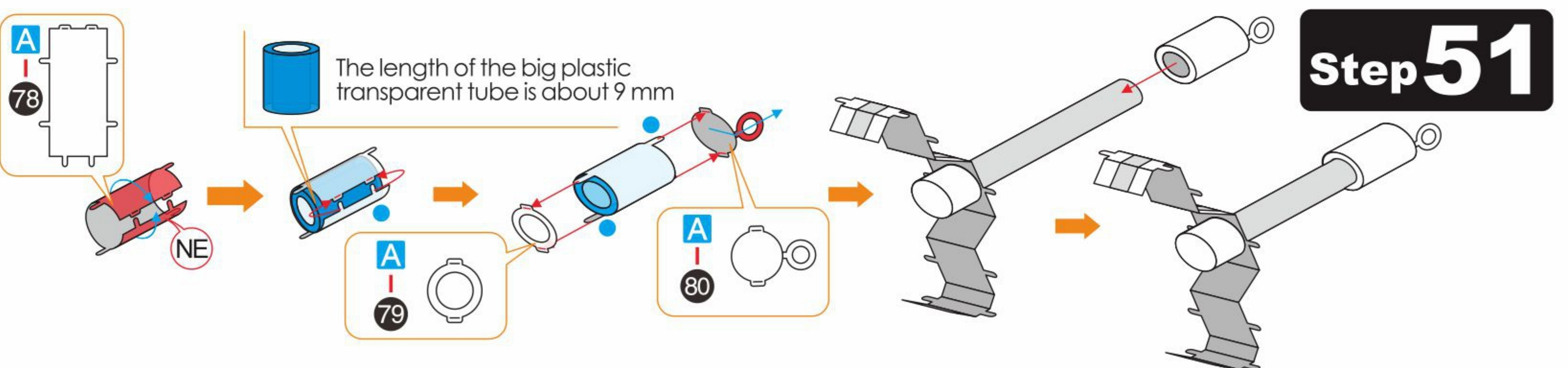
Step 60



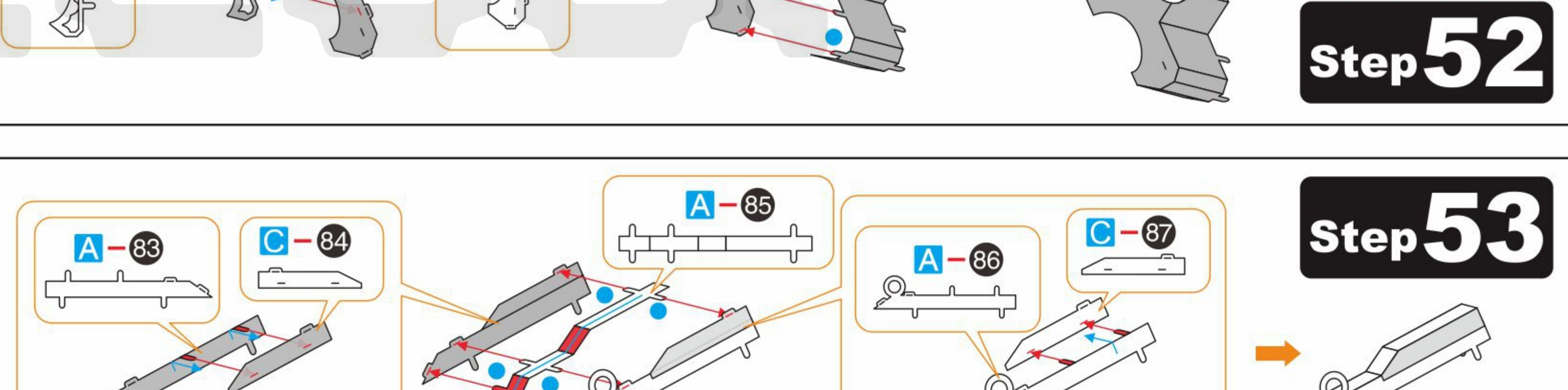
Step 50



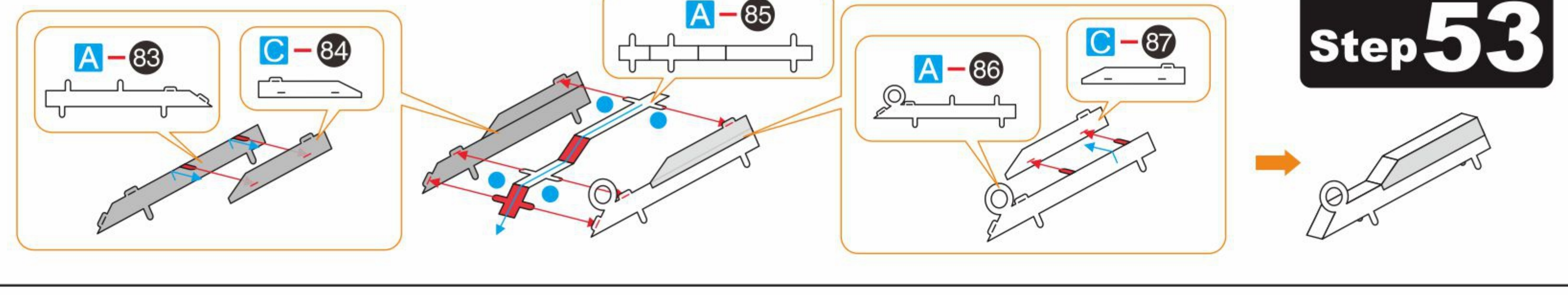
Step 51



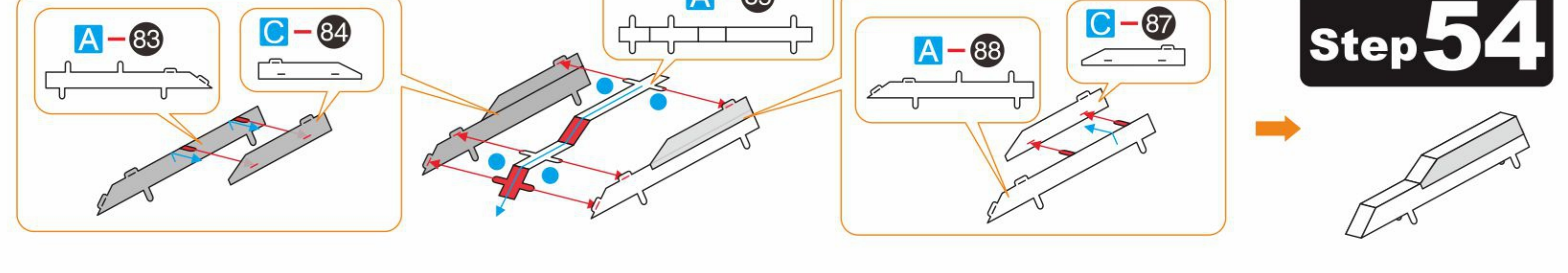
Step 52



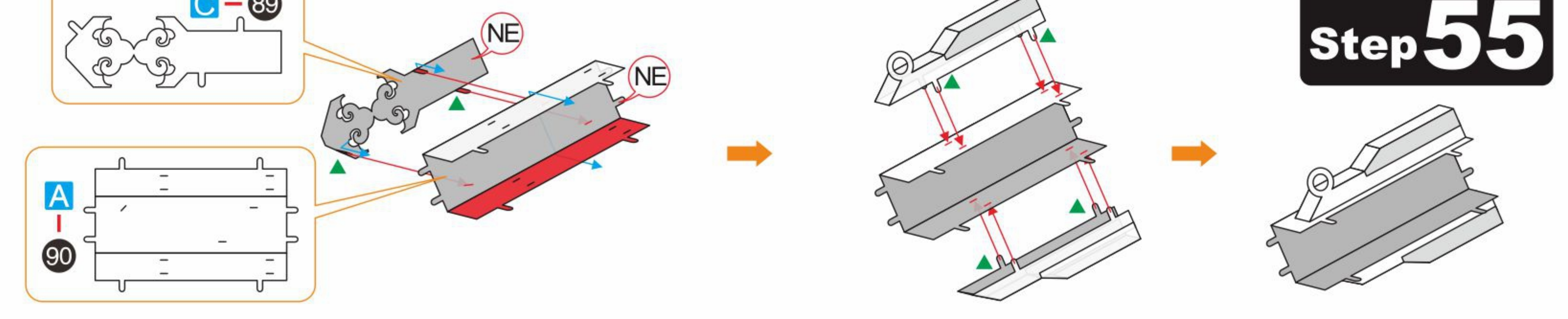
Step 53



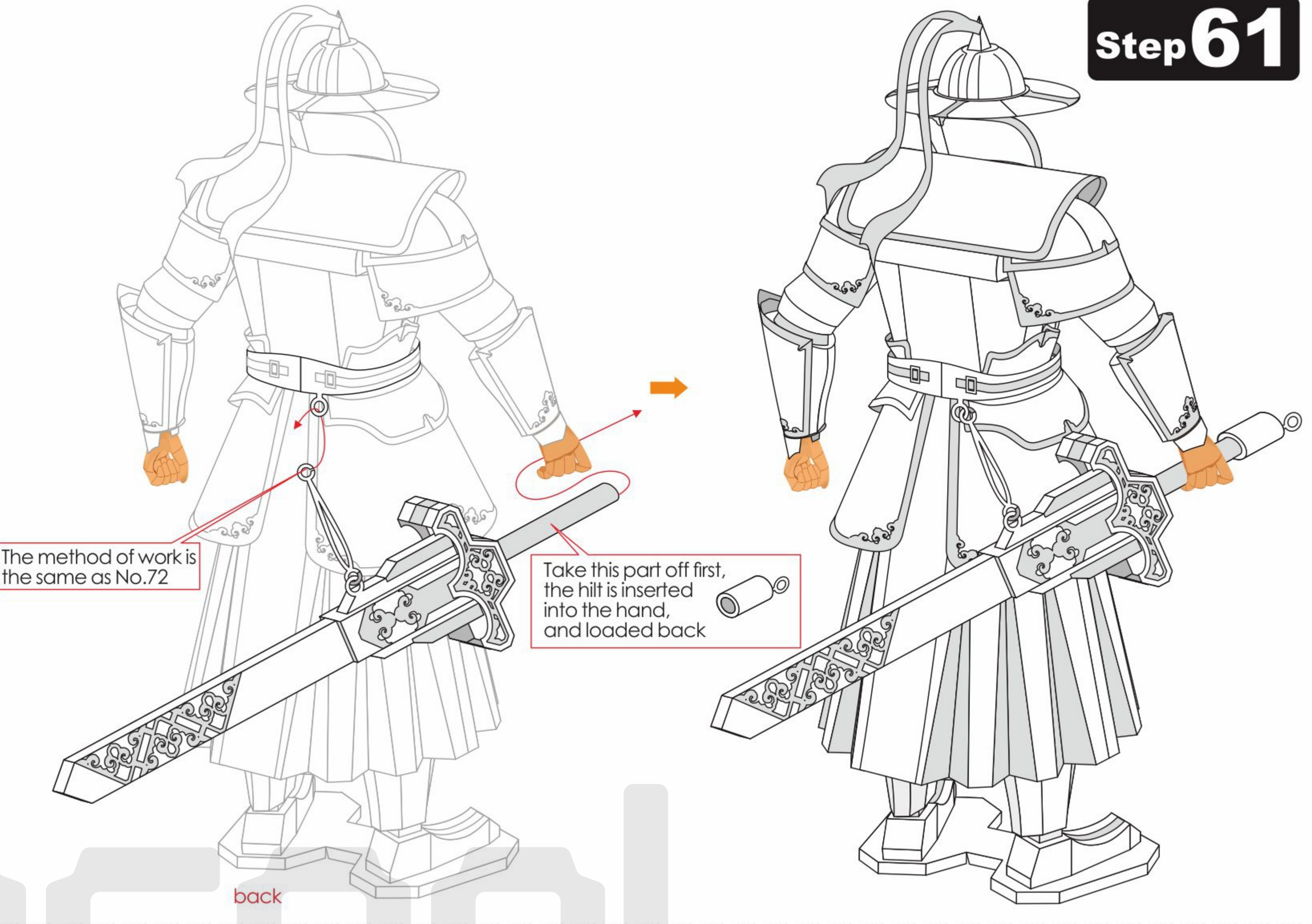
Step 54



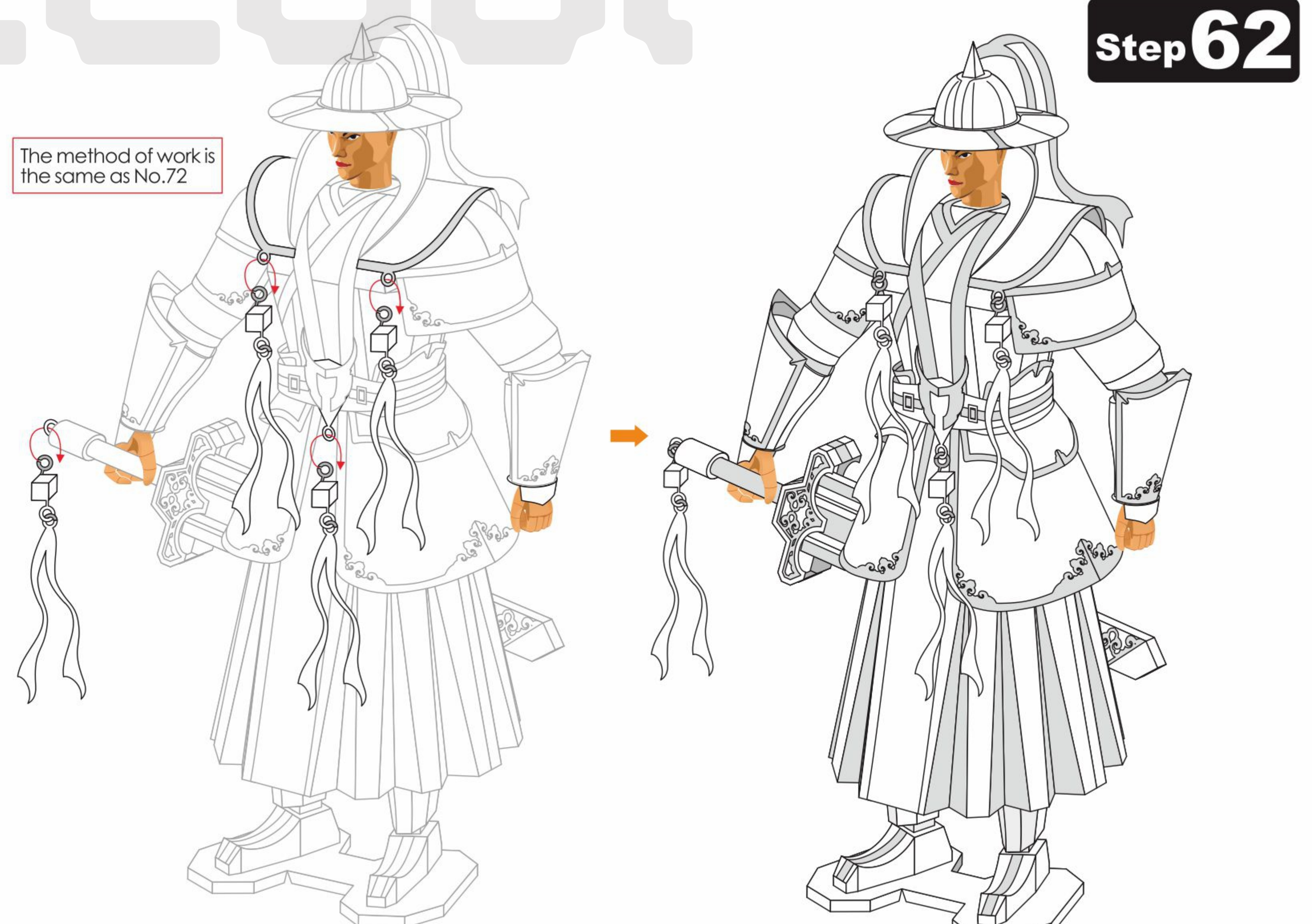
Step 55



Step 61



Step 62



piececool

THE IMPERIAL GUARDS OF MING DYNASTY HP090

Metal Sheet **Sketch Map**

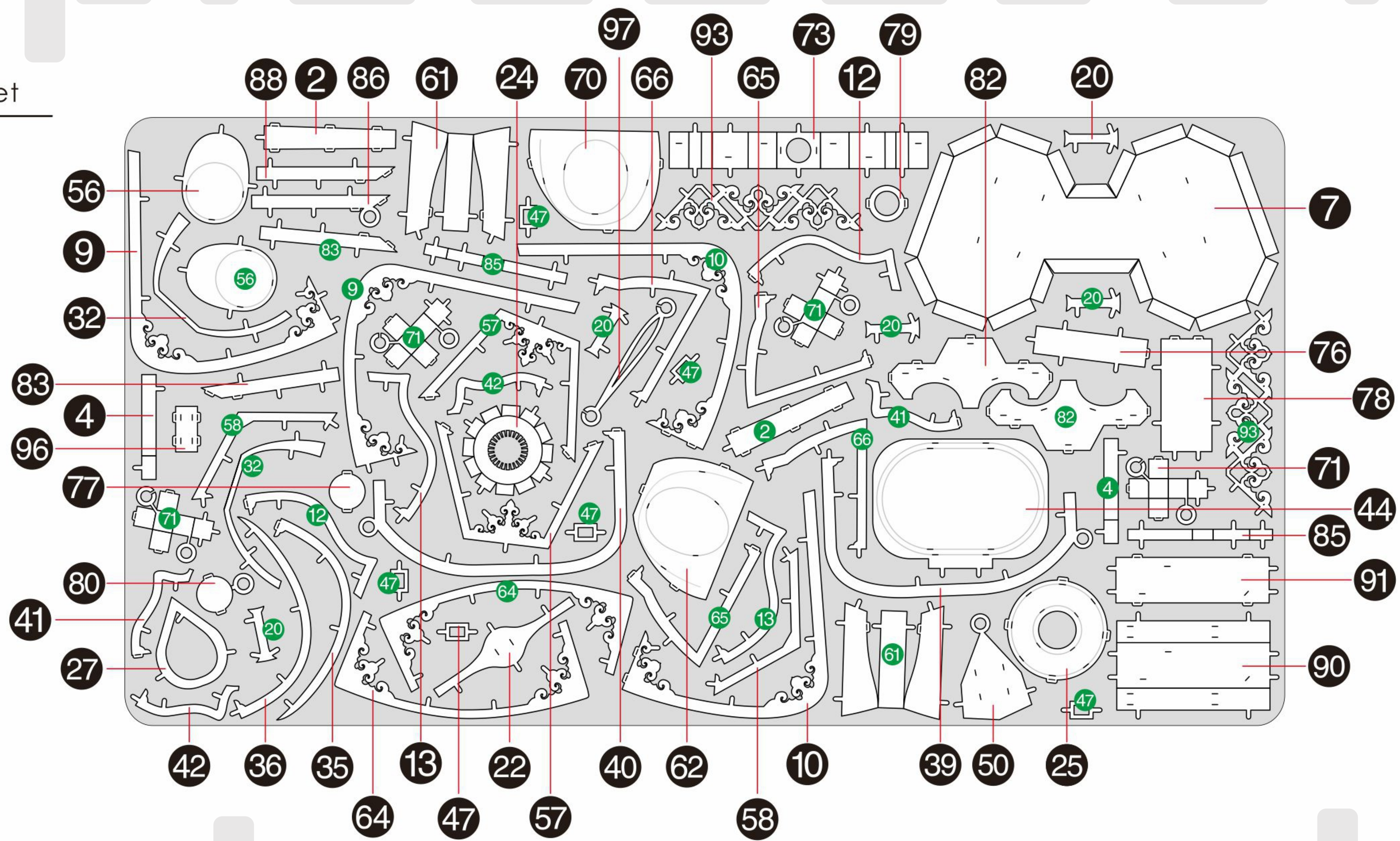
© WIST PLASTIC & METAL TECHNOLOGY LIMITED. ALL RIGHTS RESERVED.

Electronic version download address: <http://www.piececool.com/cpsuoming/HP090-sheet metal schematic diagram.pdf>

CP-PART-HP090#-A1-2019.08.31

Metal Sheet

A



Metal Sheet

B

