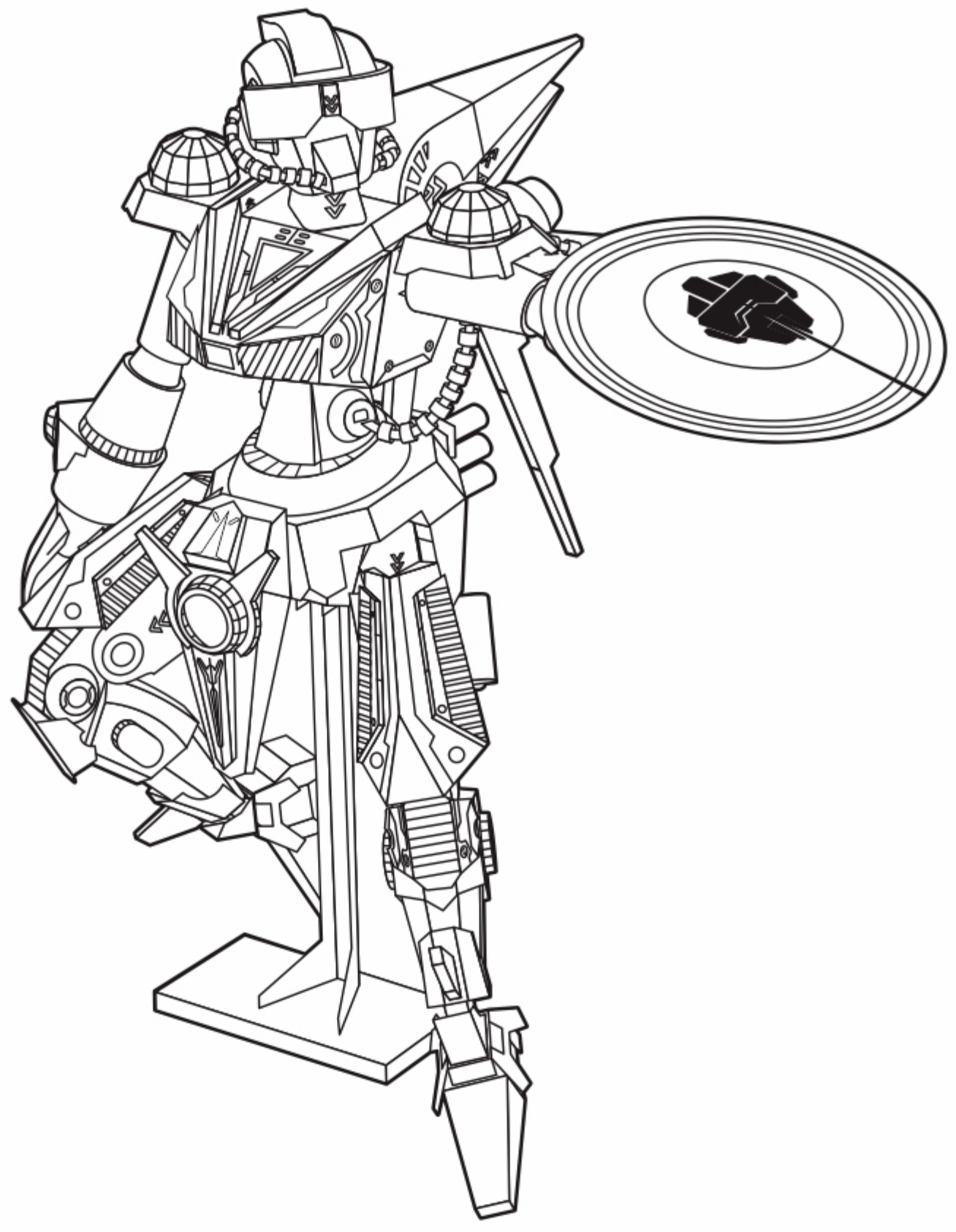


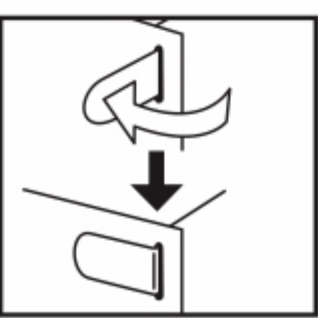
## SHIELD MAN HP068



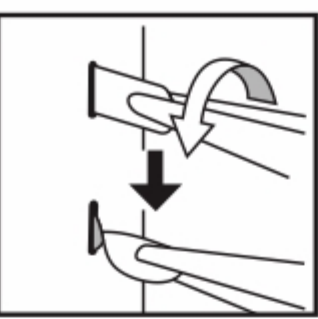
CP-ASSY-HP068#-A1-20190831

### Installation Reminder

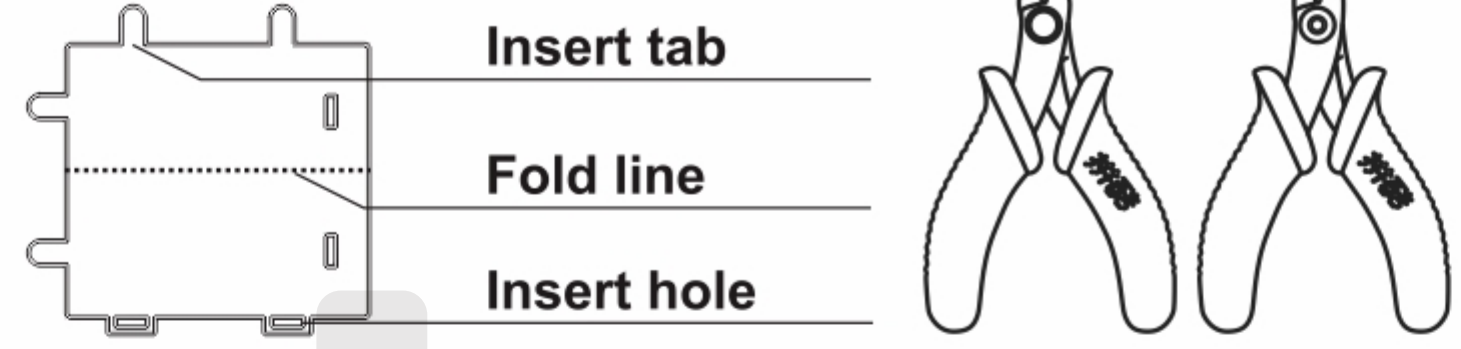
● Insert the hole, bending tab with angle 90°



▲ Insert the hole, twisting tab with angle 90°



### Identify the parts



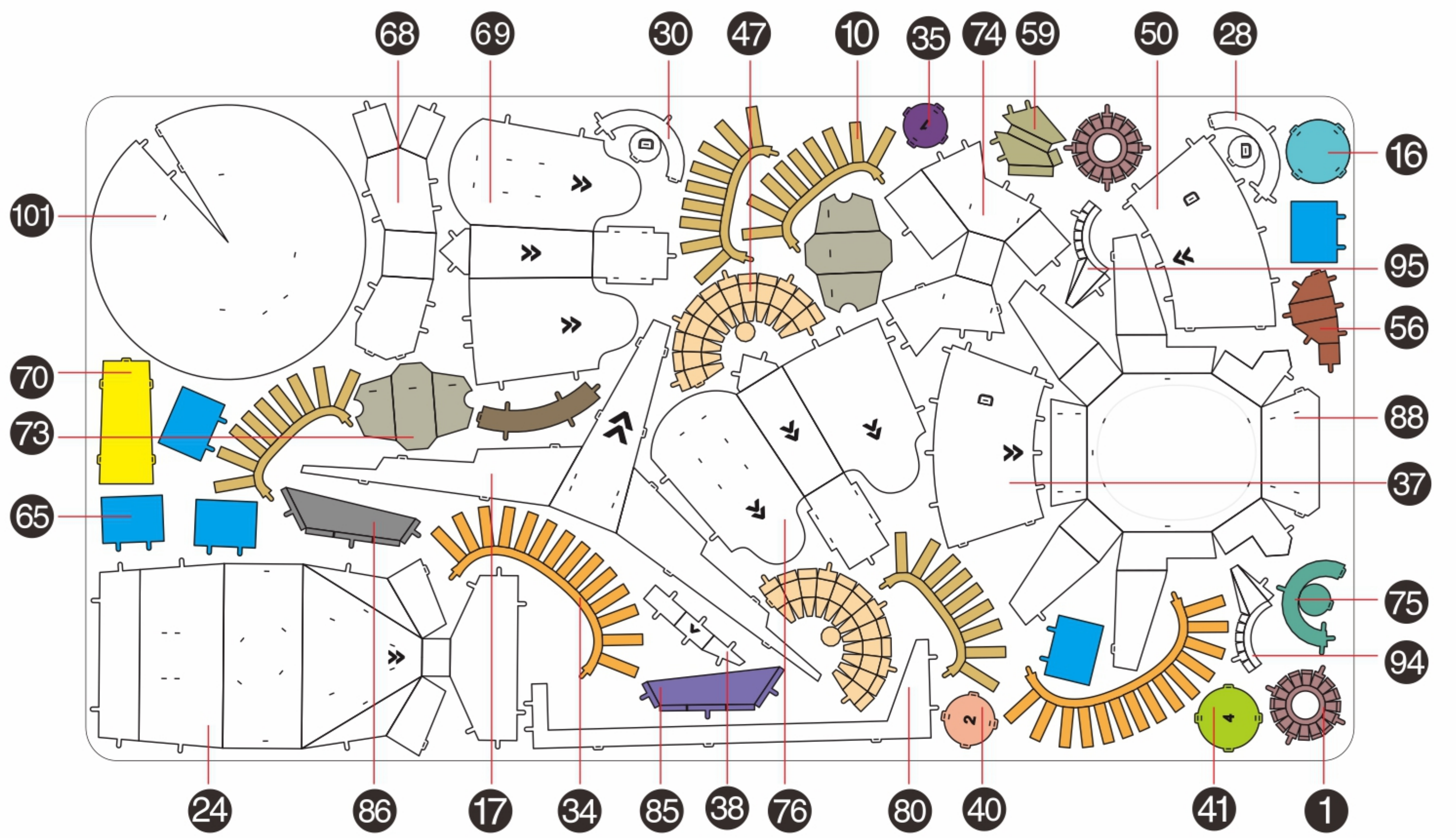
**E** Engraved / Color side

**NE** Non-engraved / Silver side

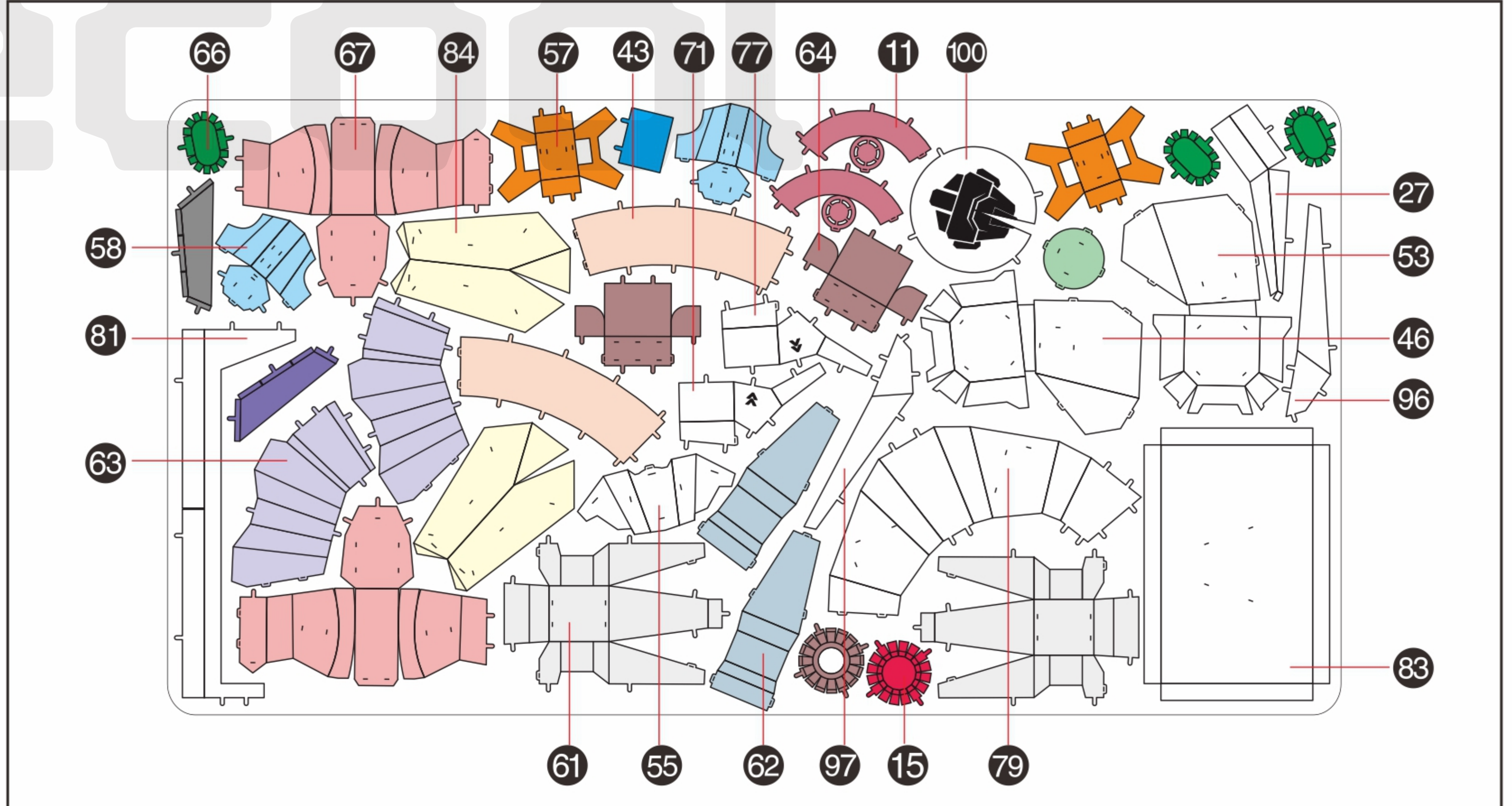
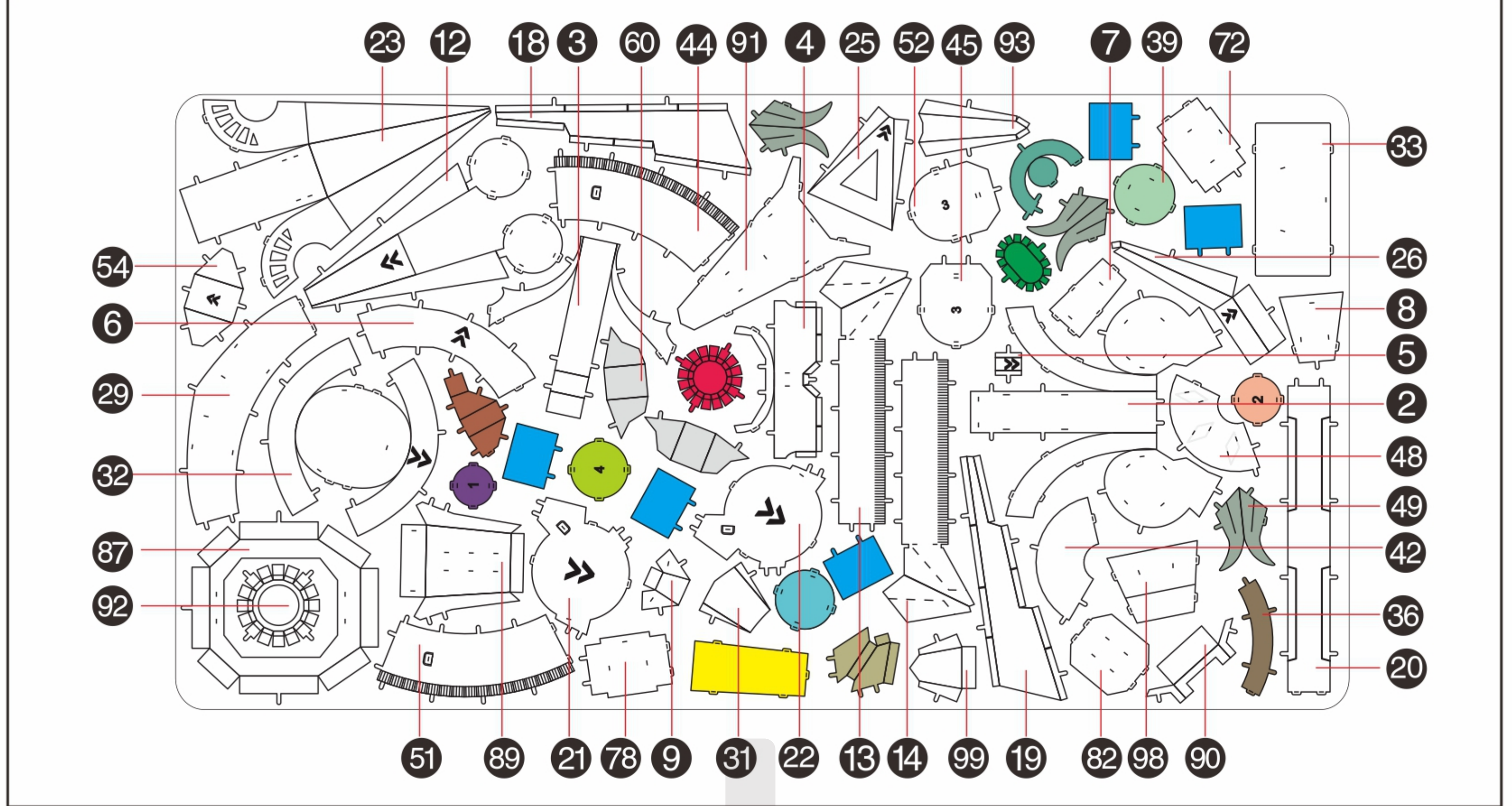
**!** Attention Point

**■** Keep the parts symmetrical

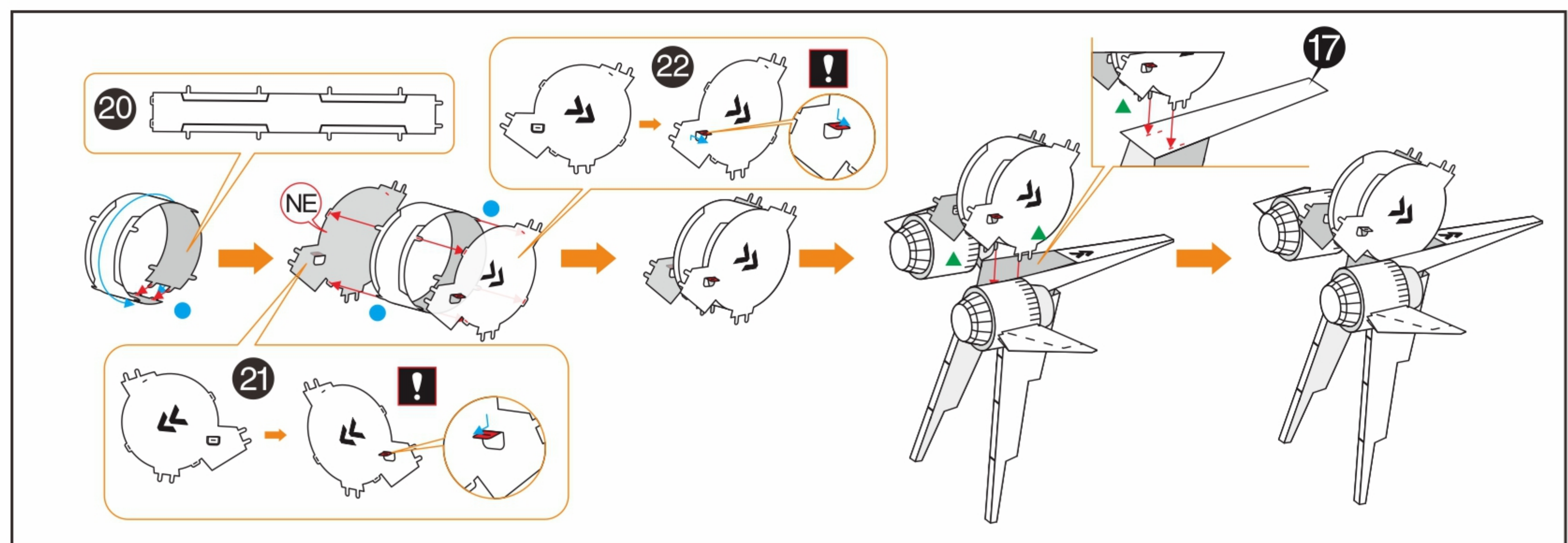
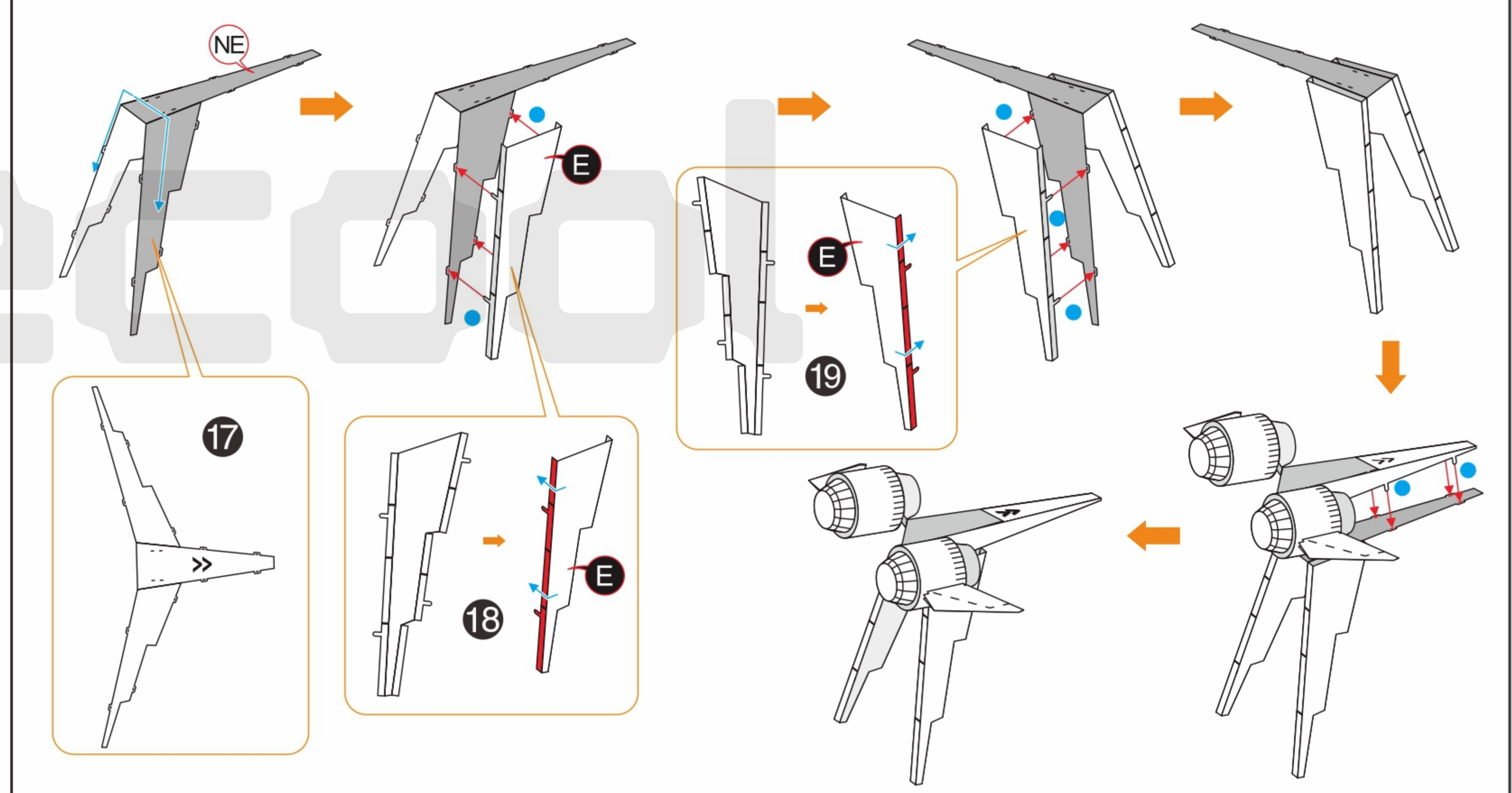
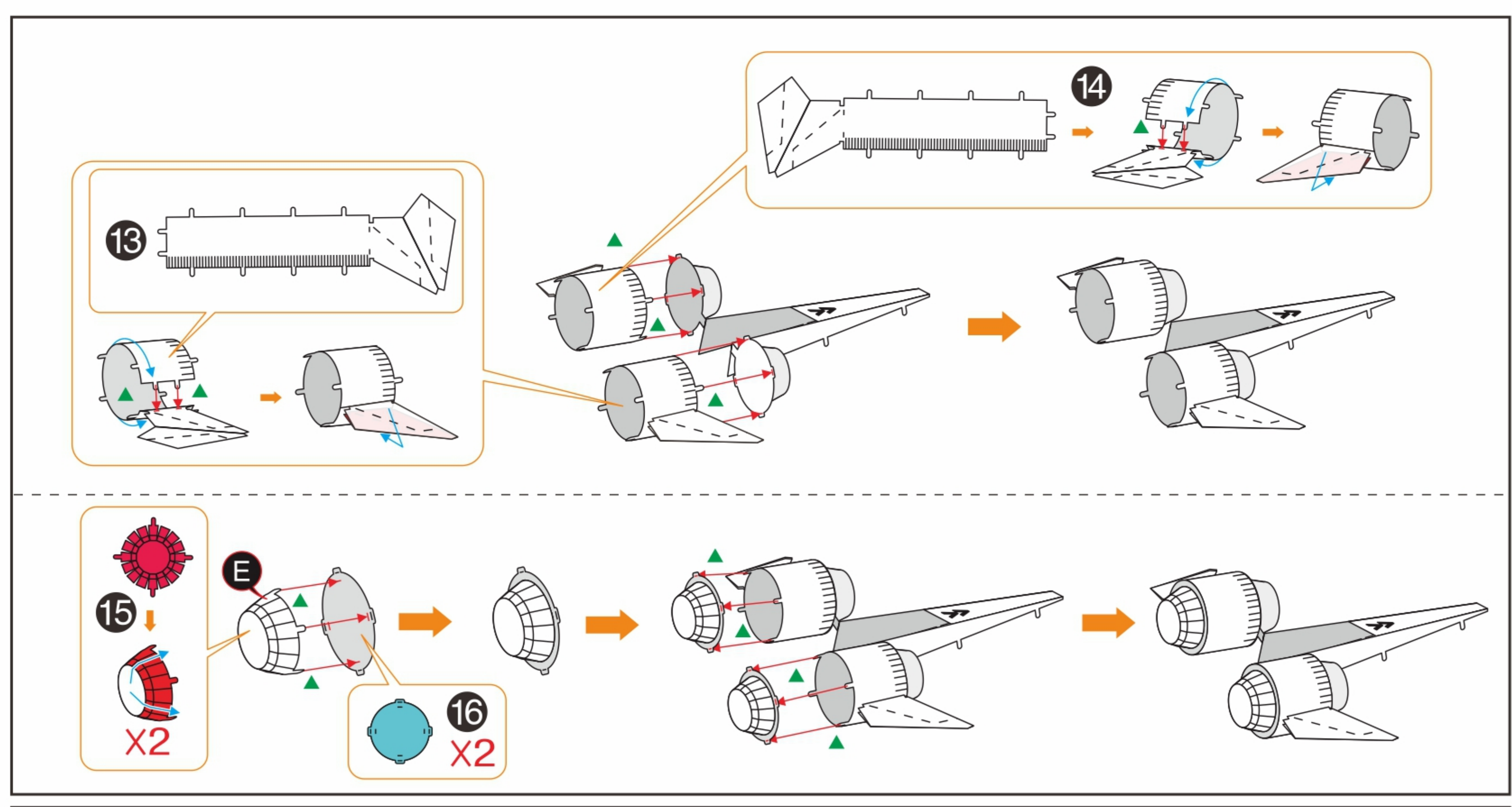
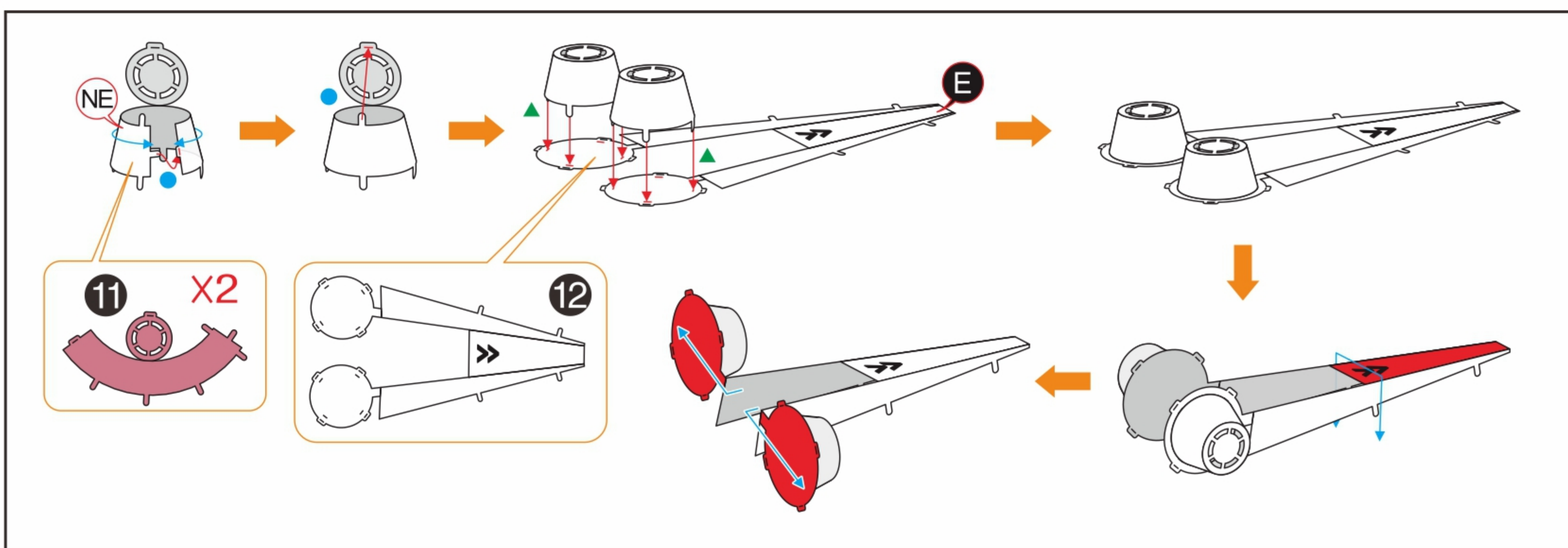
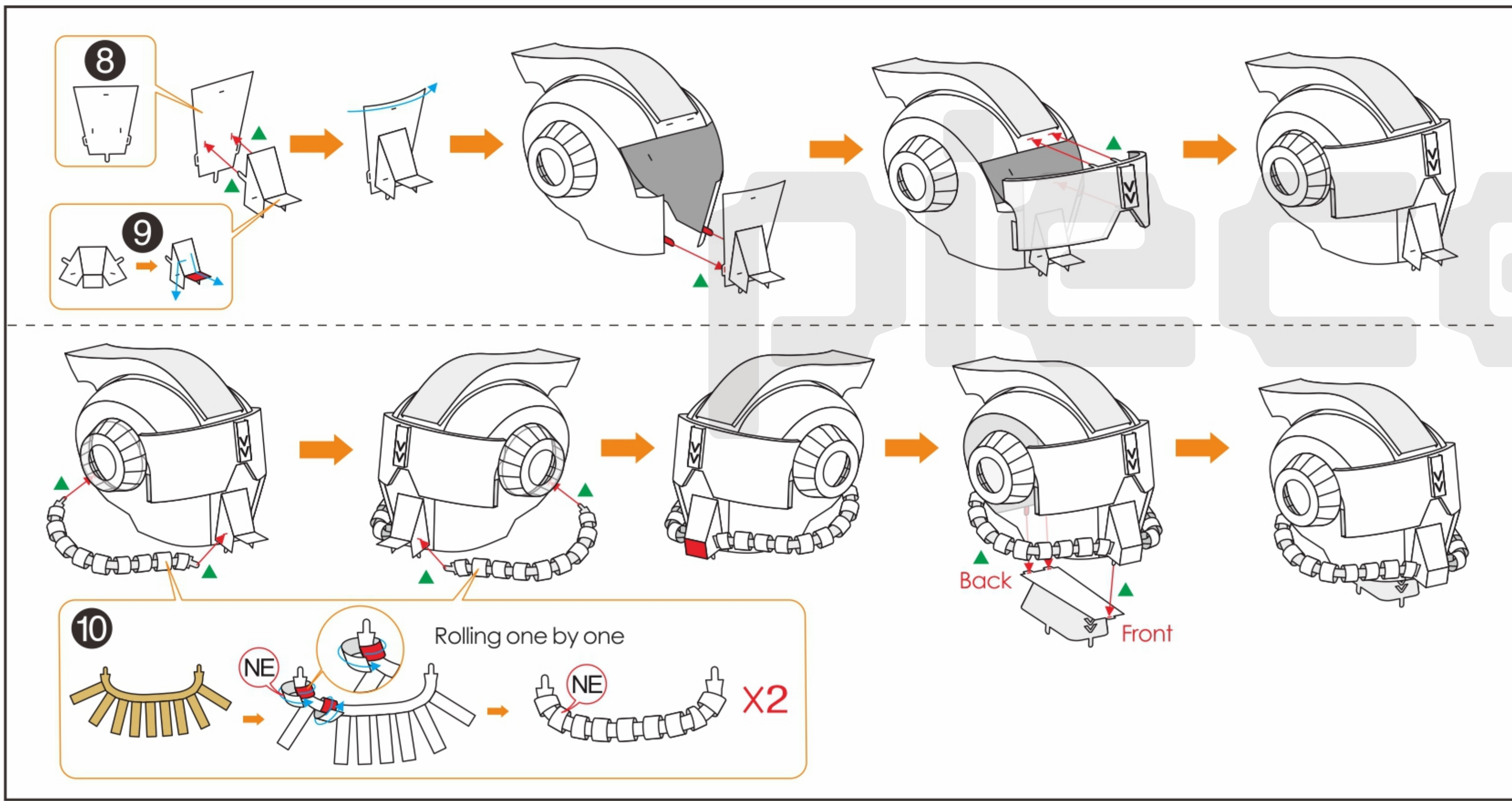
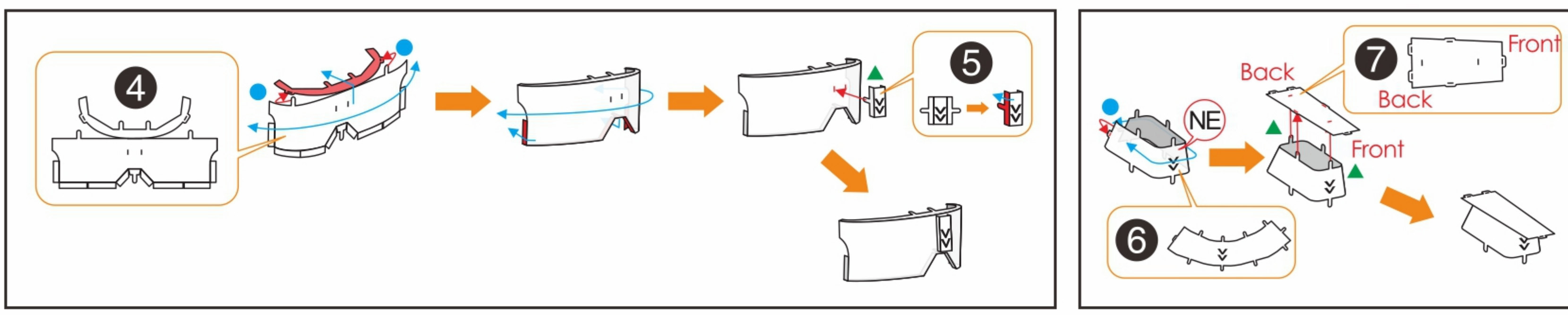
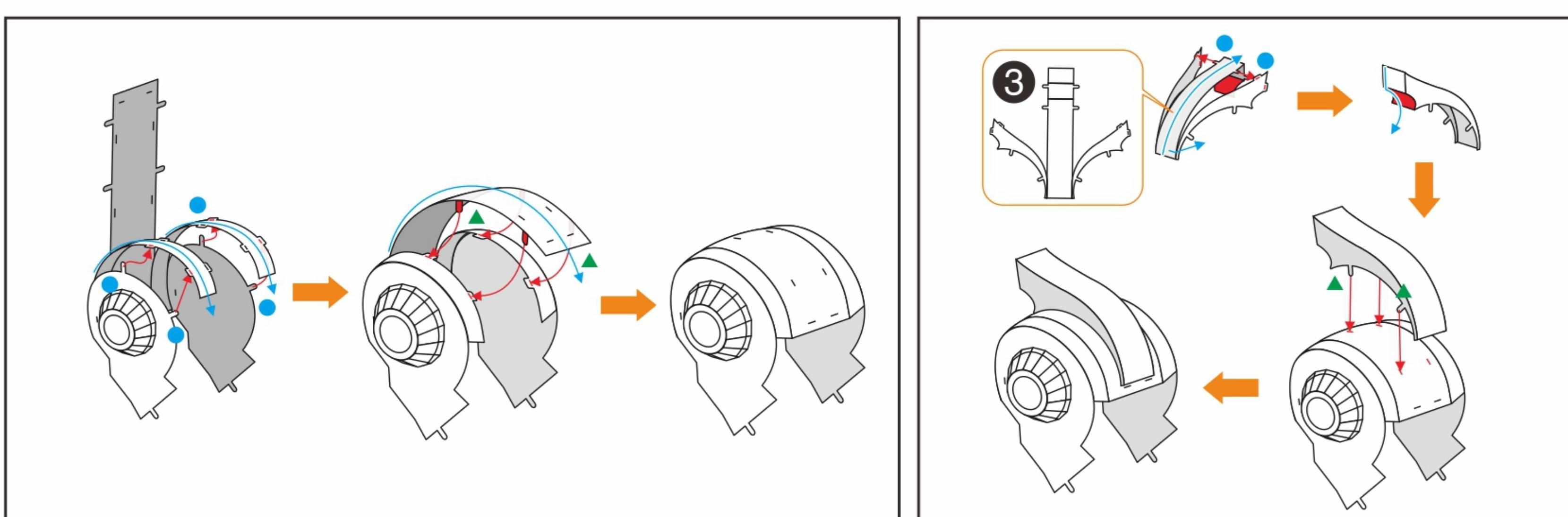
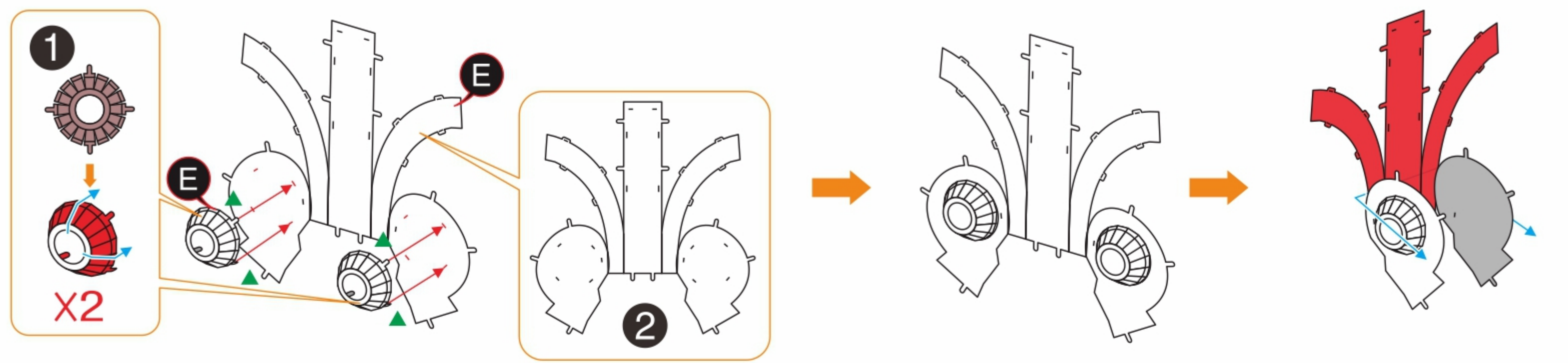
### Metal Sheet

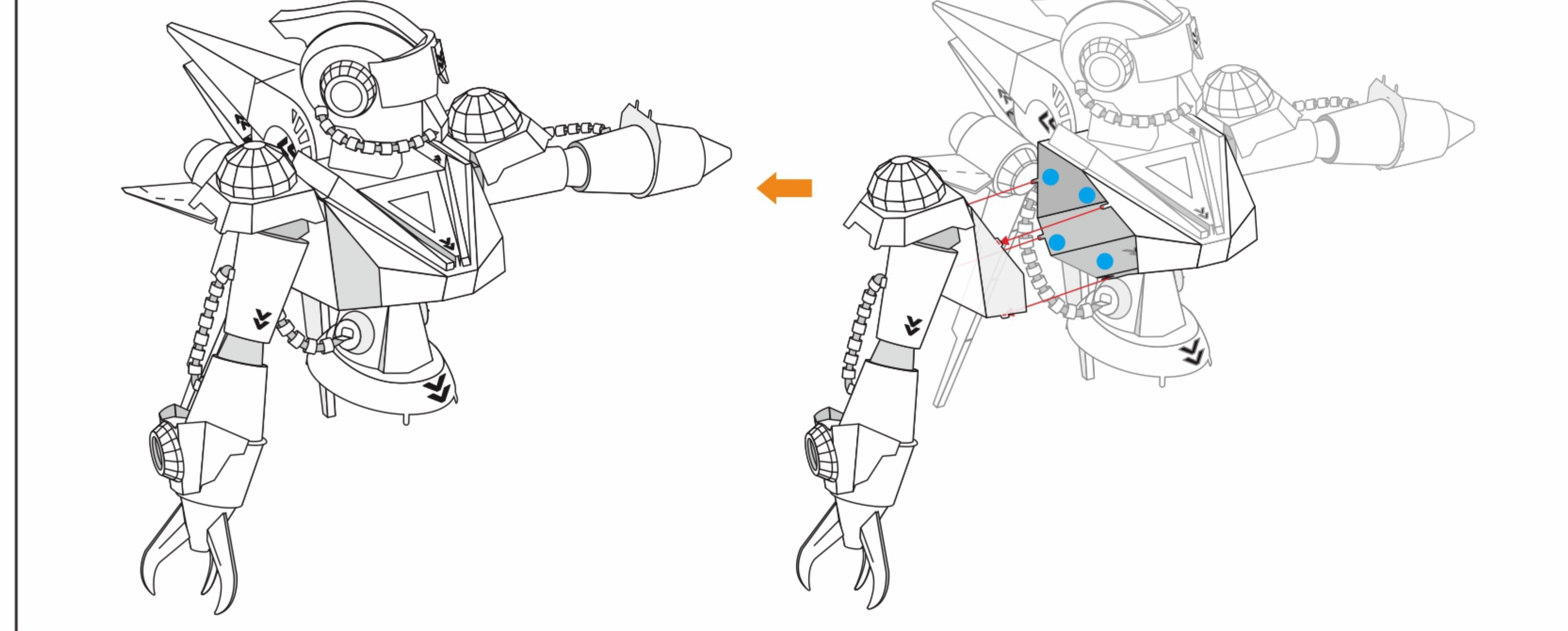
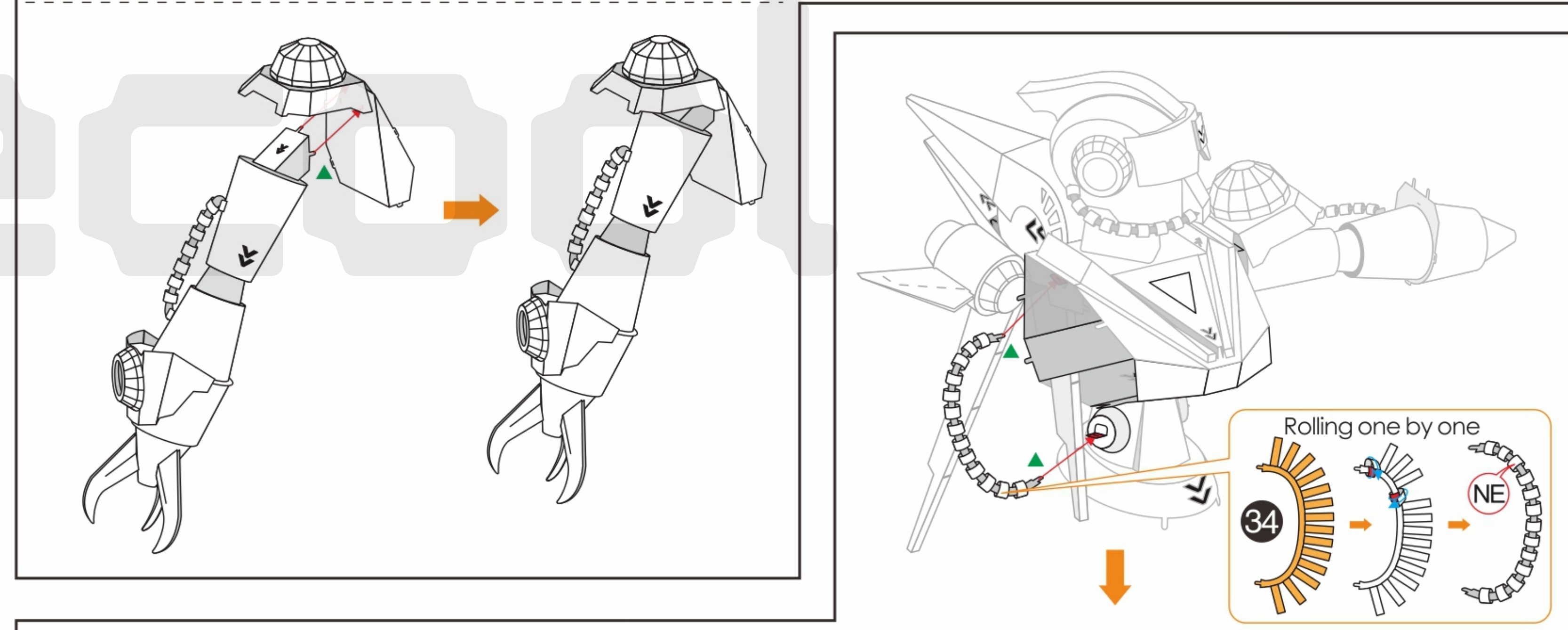
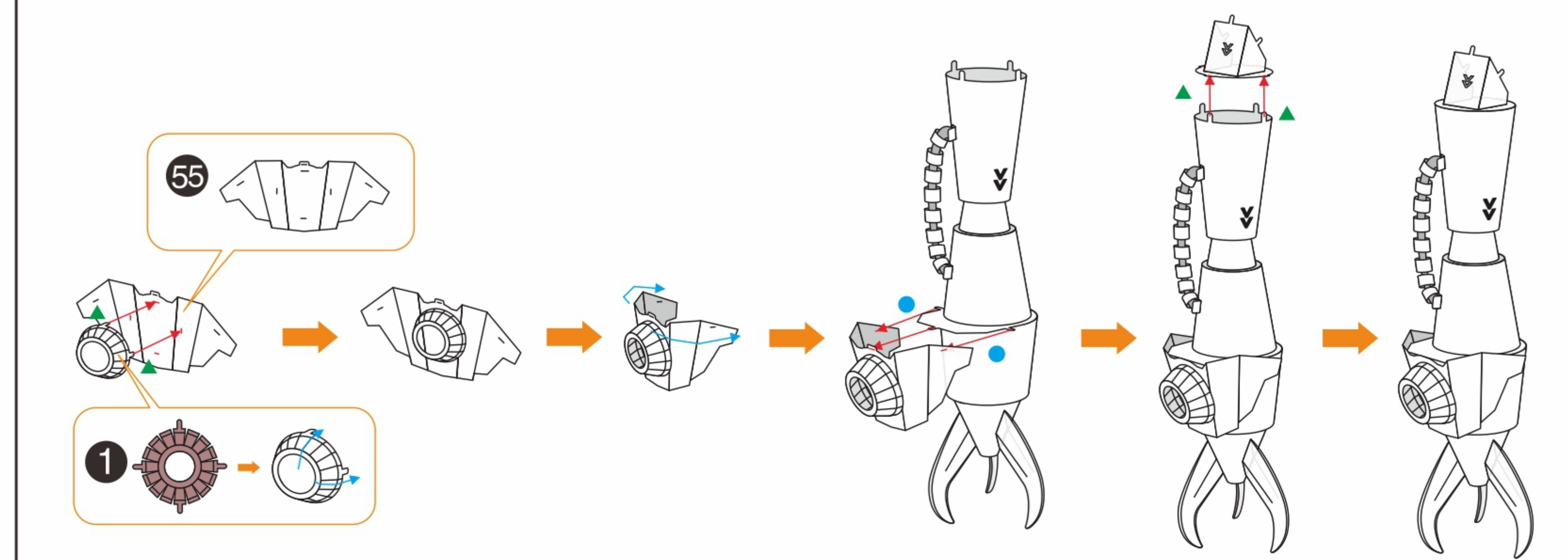
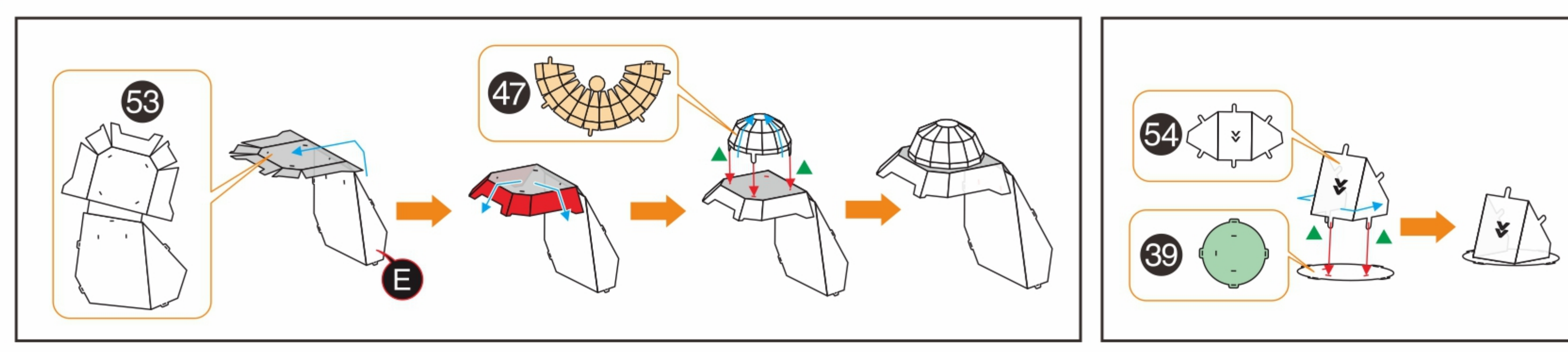
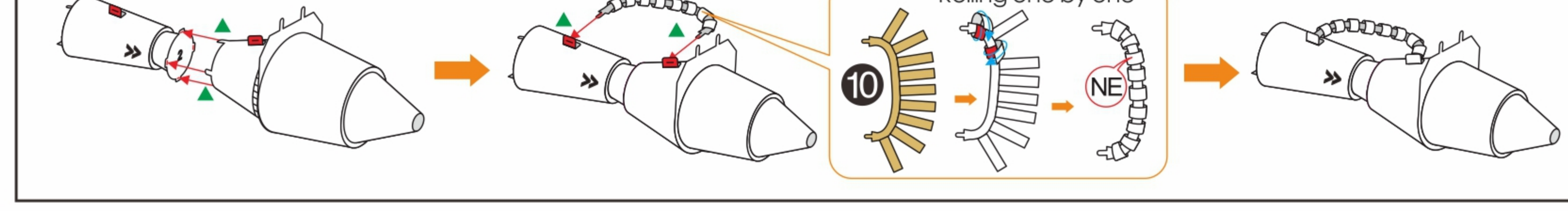
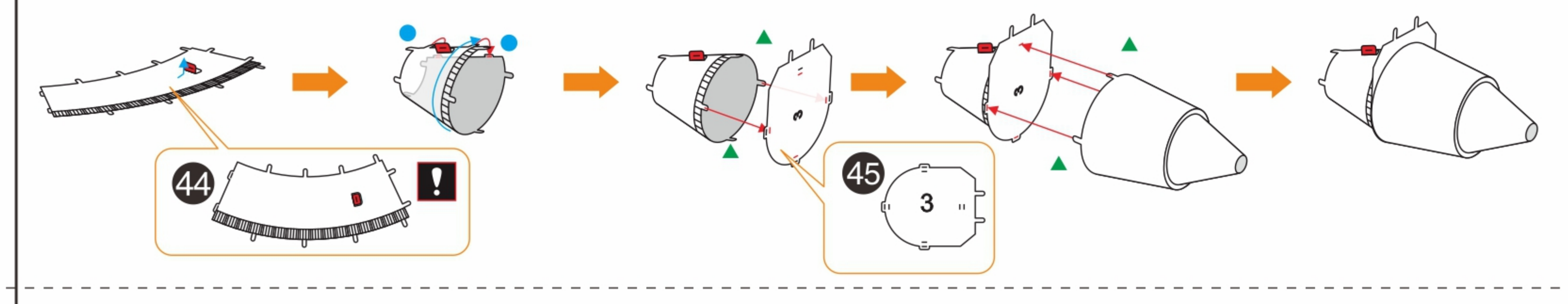
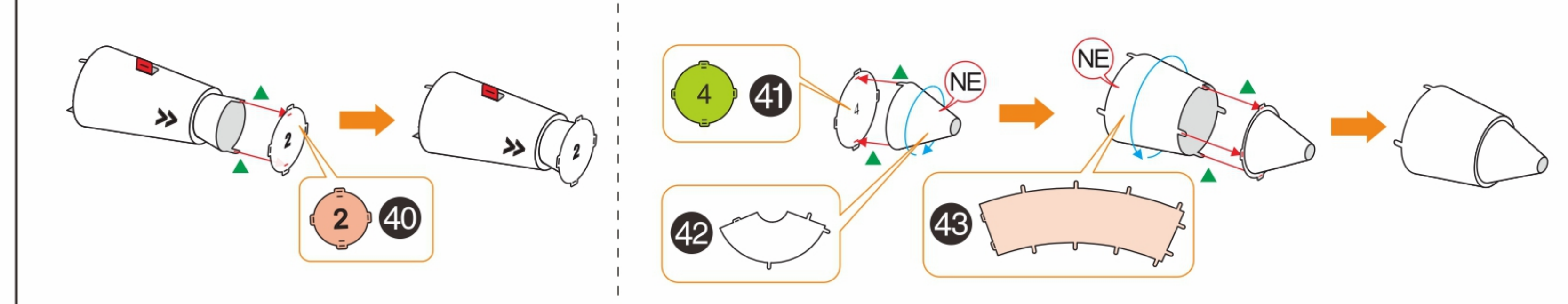
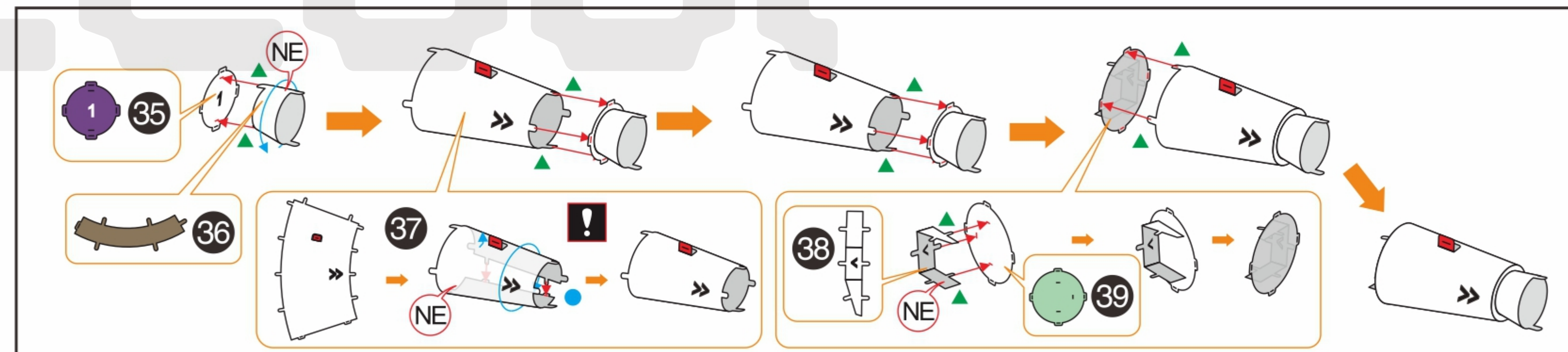
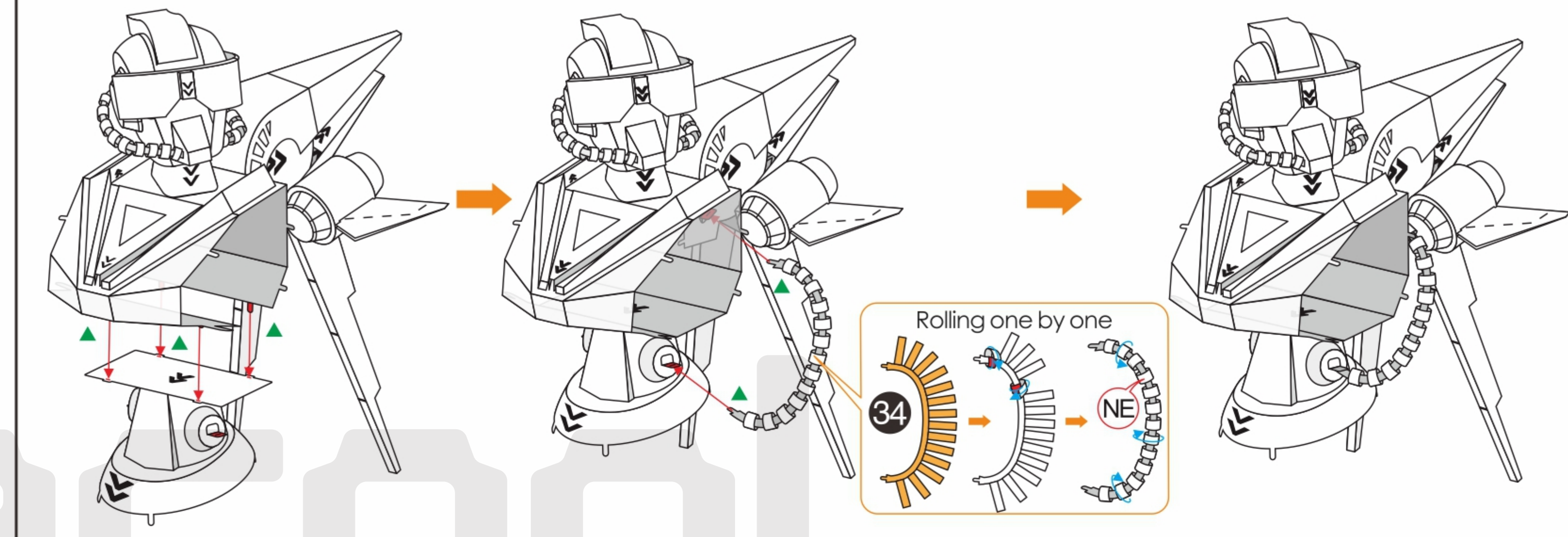
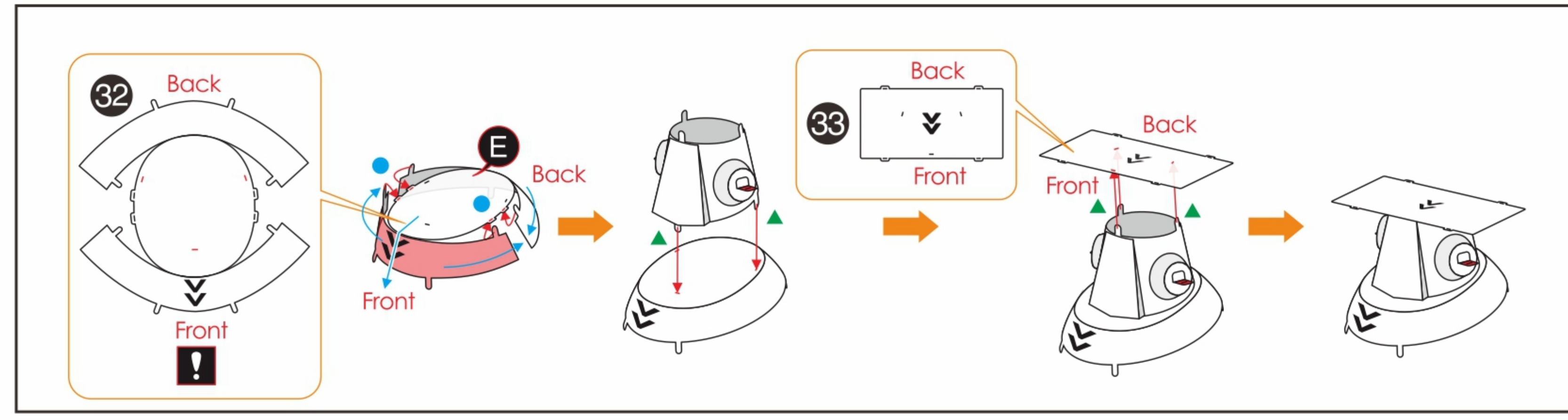
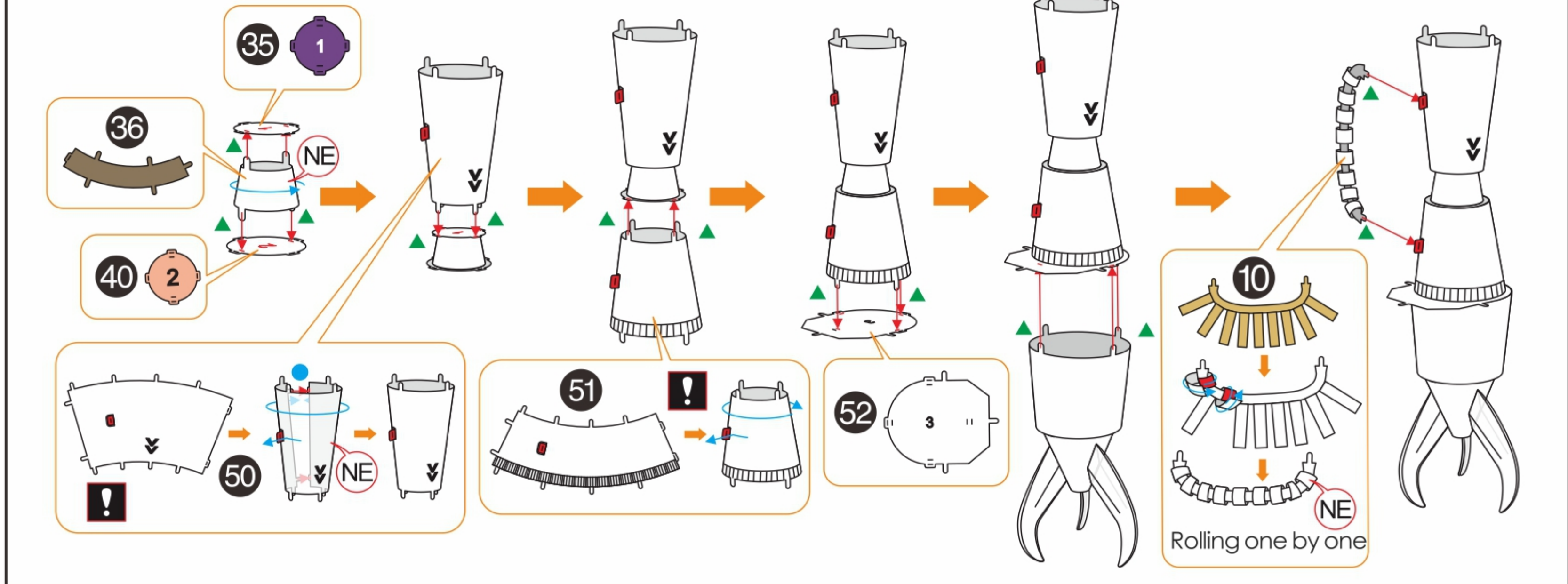
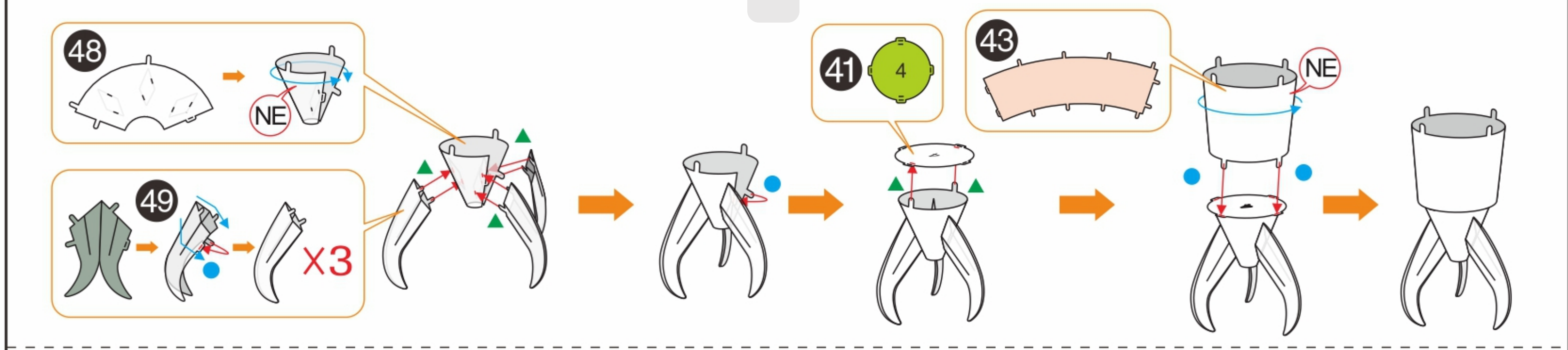
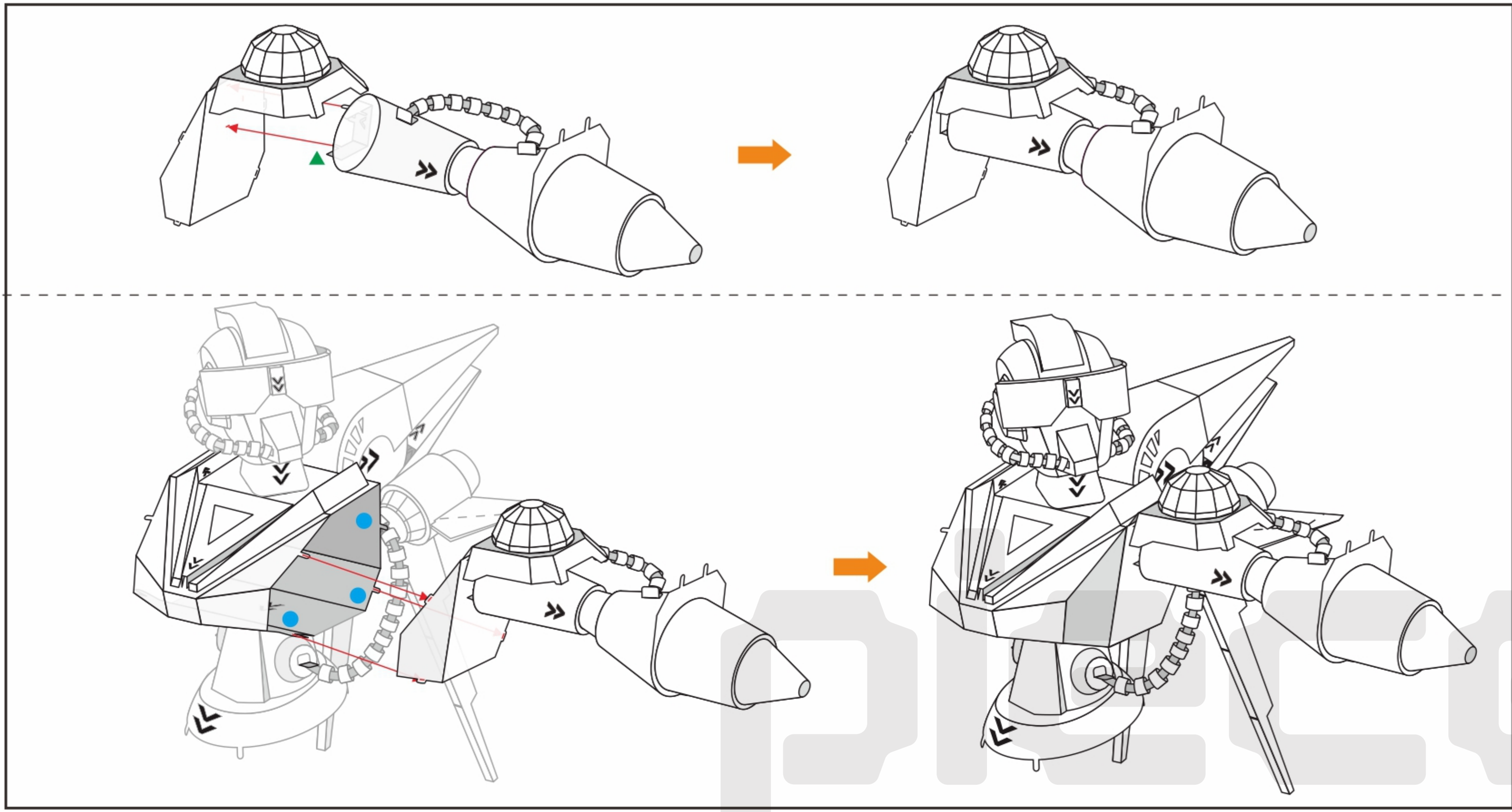
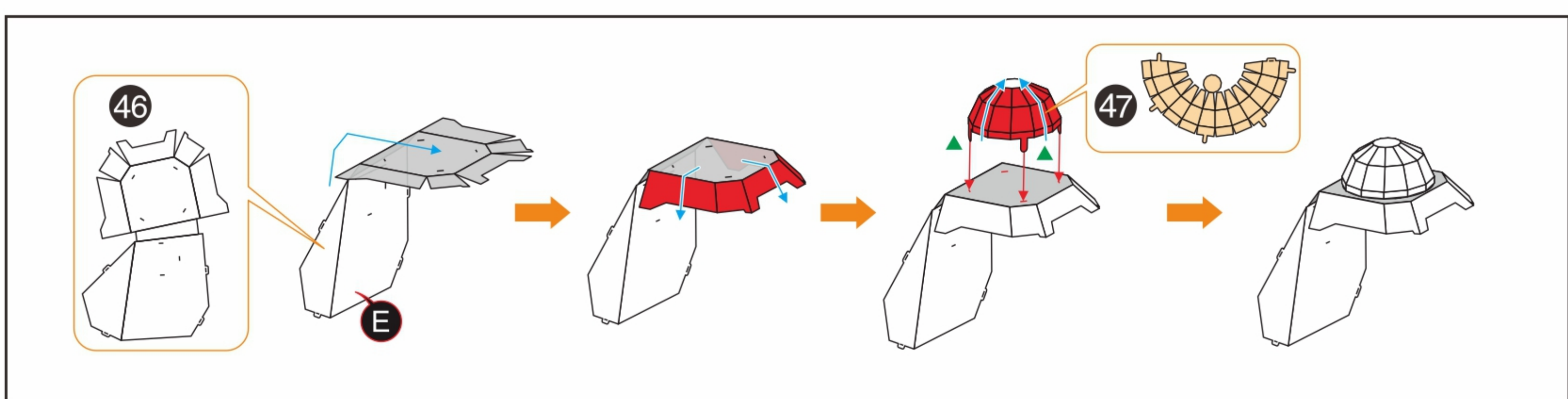
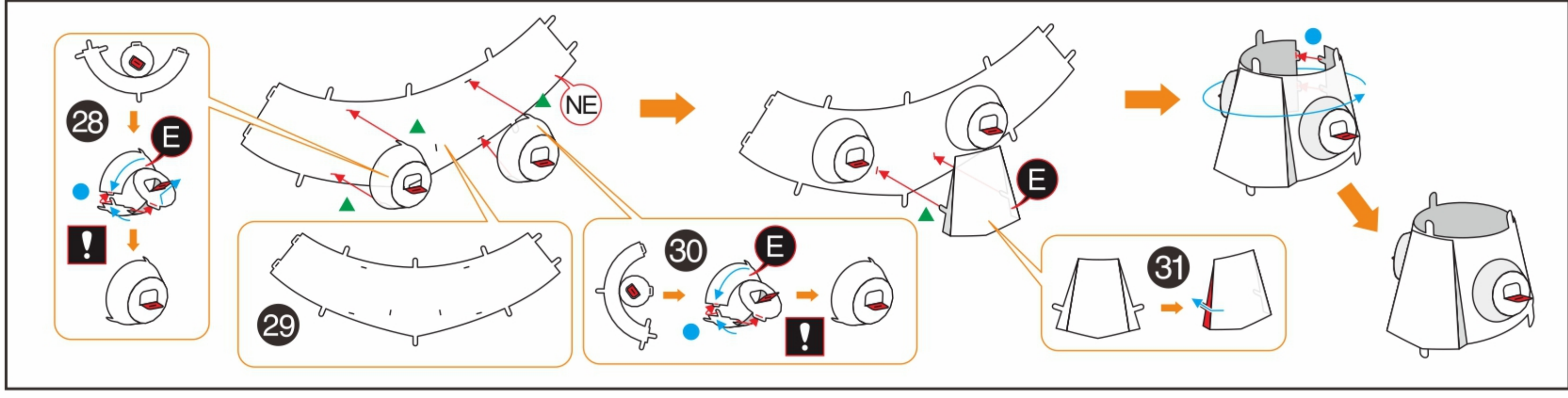
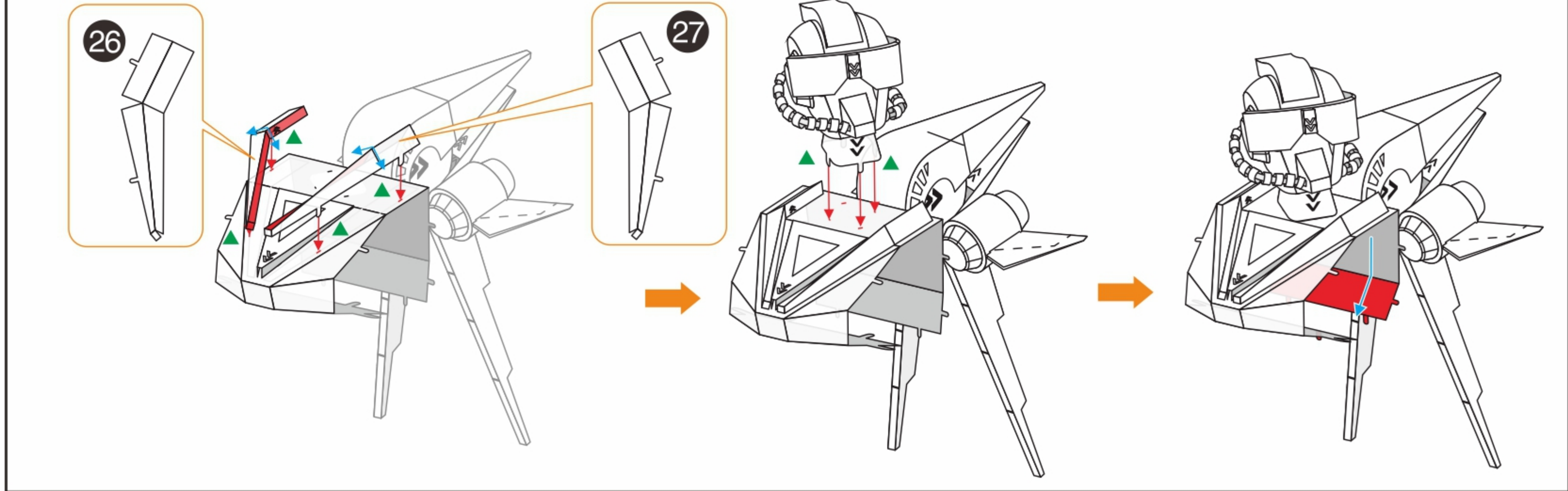
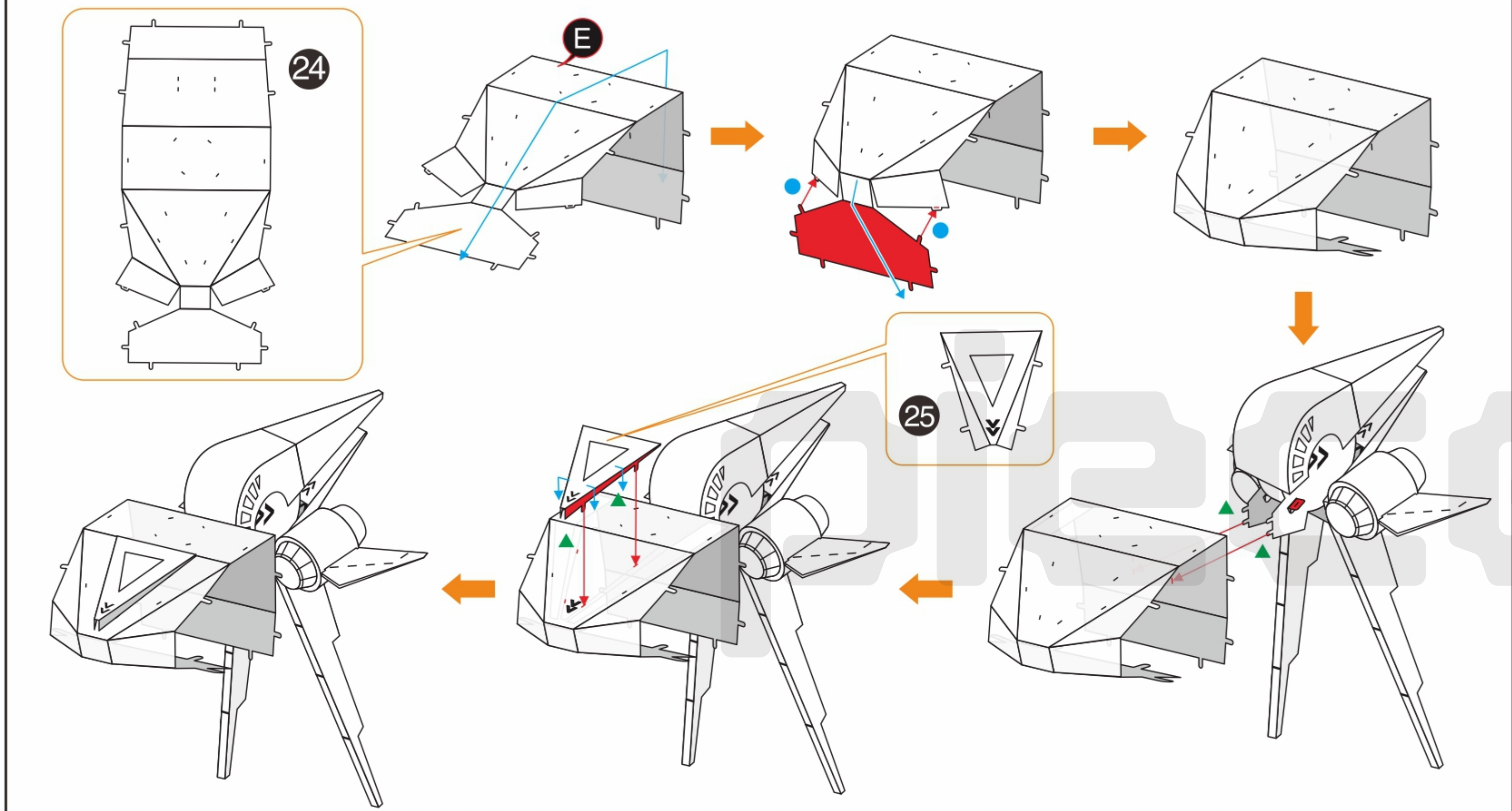
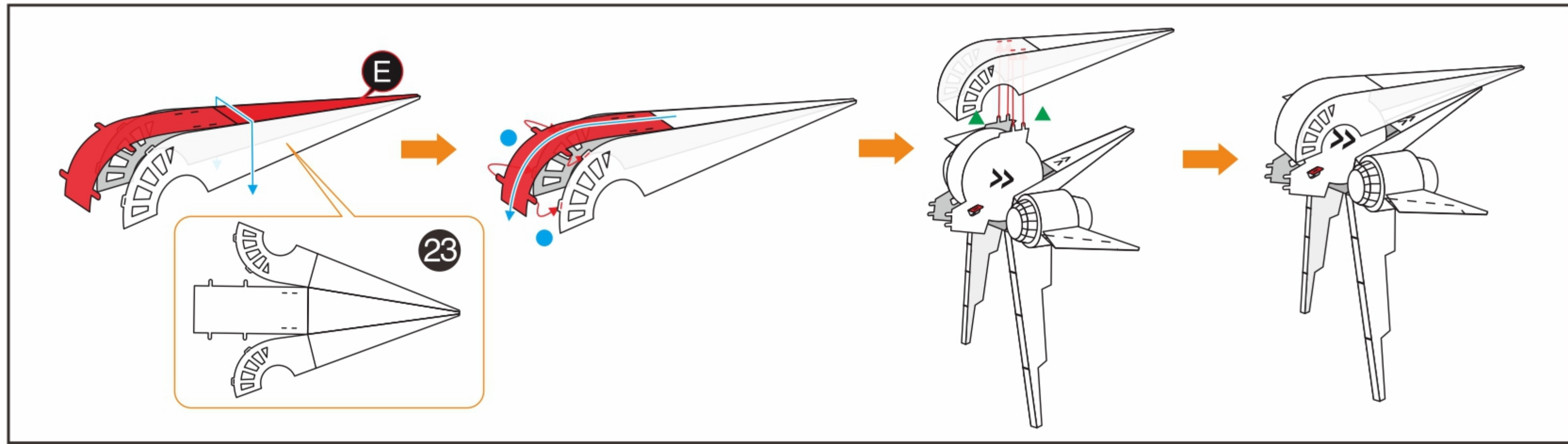


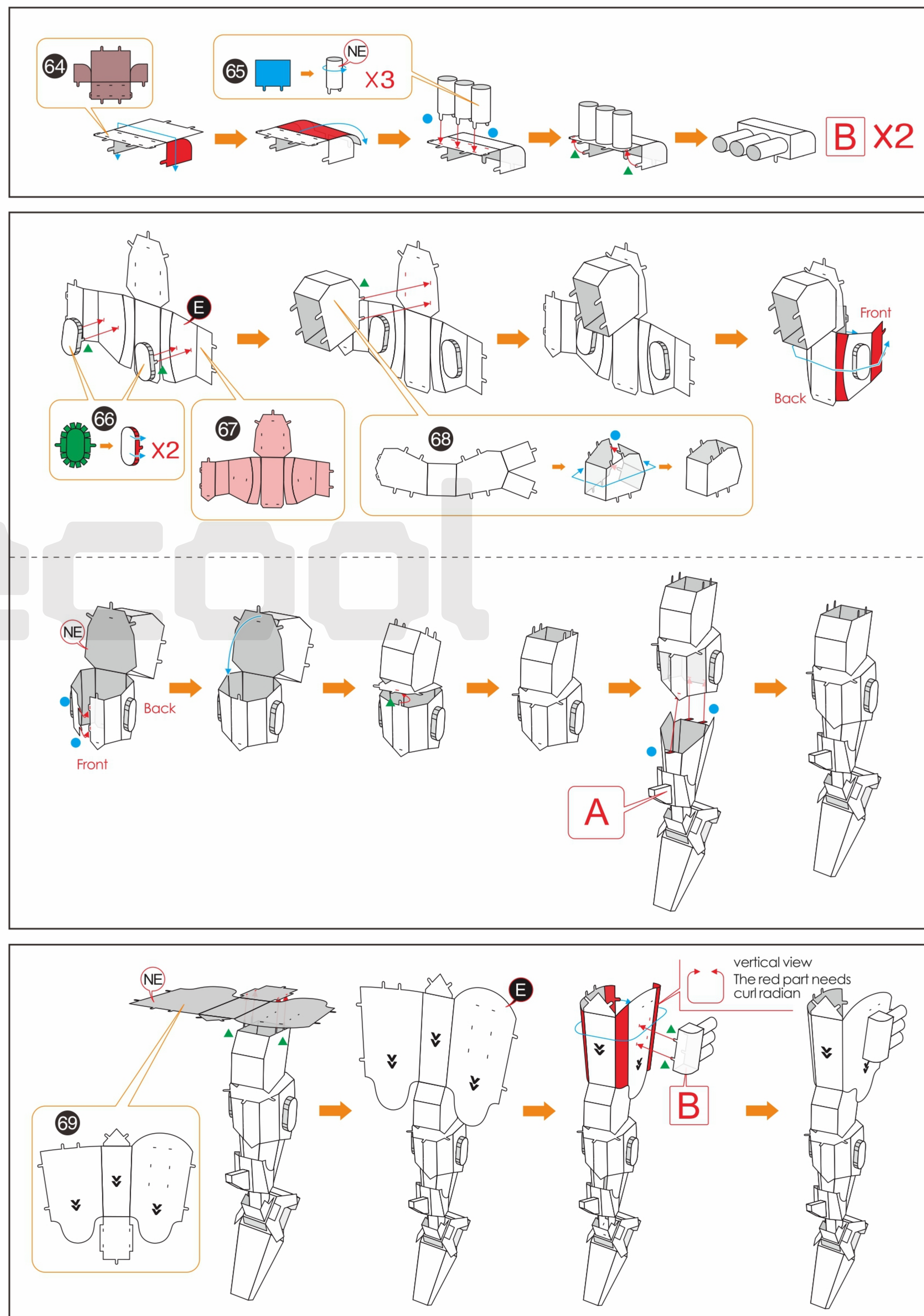
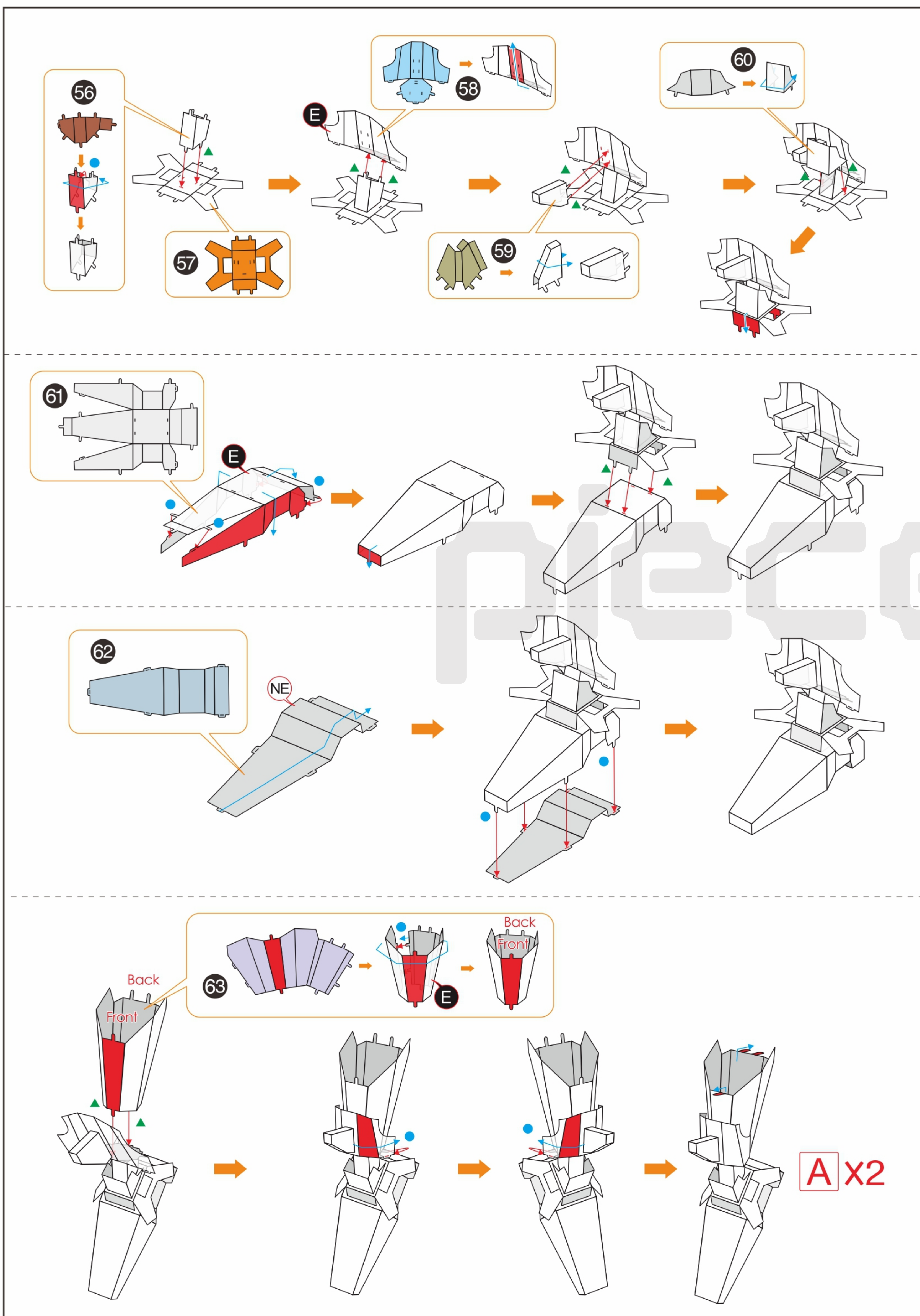
⚠ Please handle the metal trim carefully to prevent scratches.



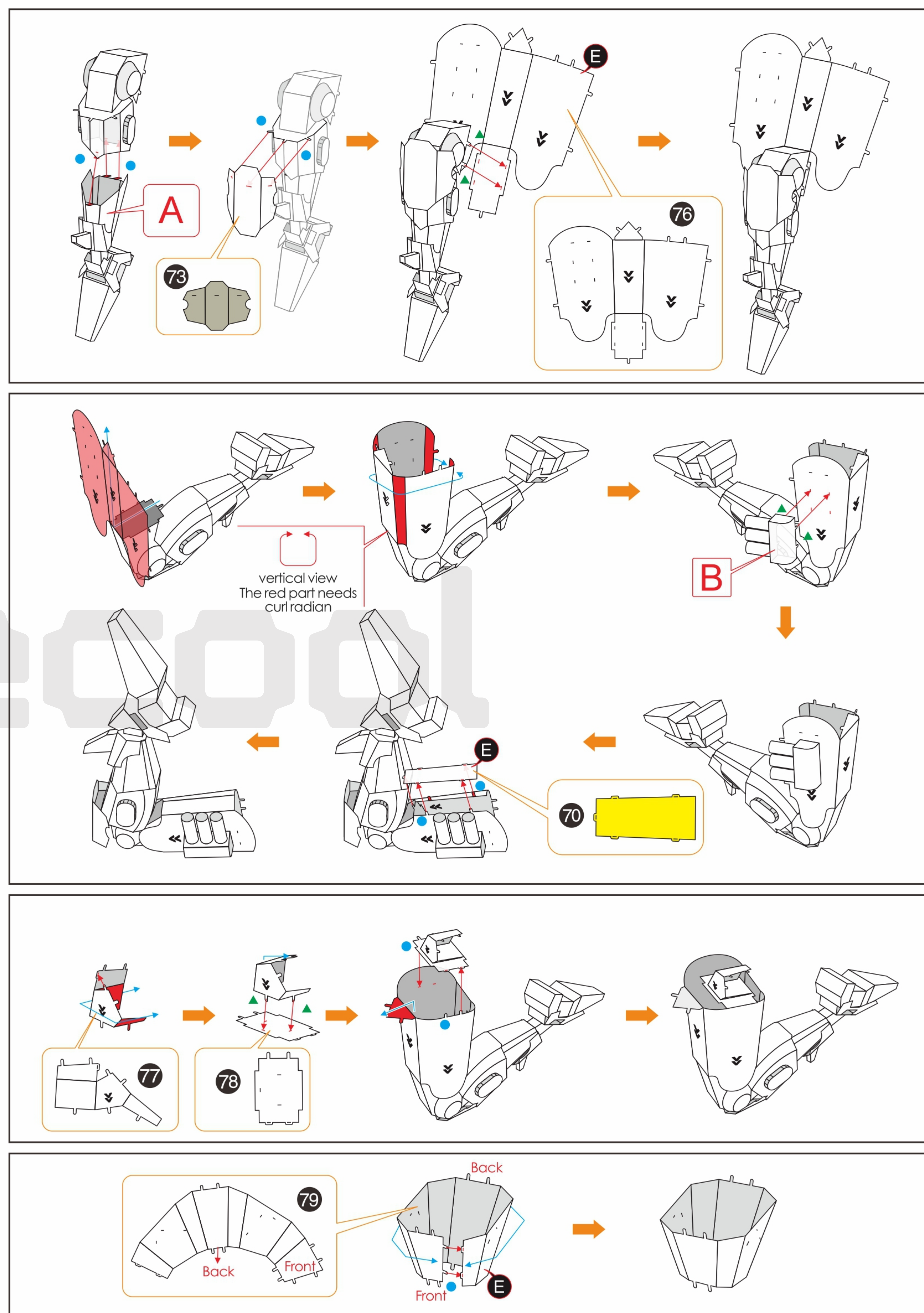
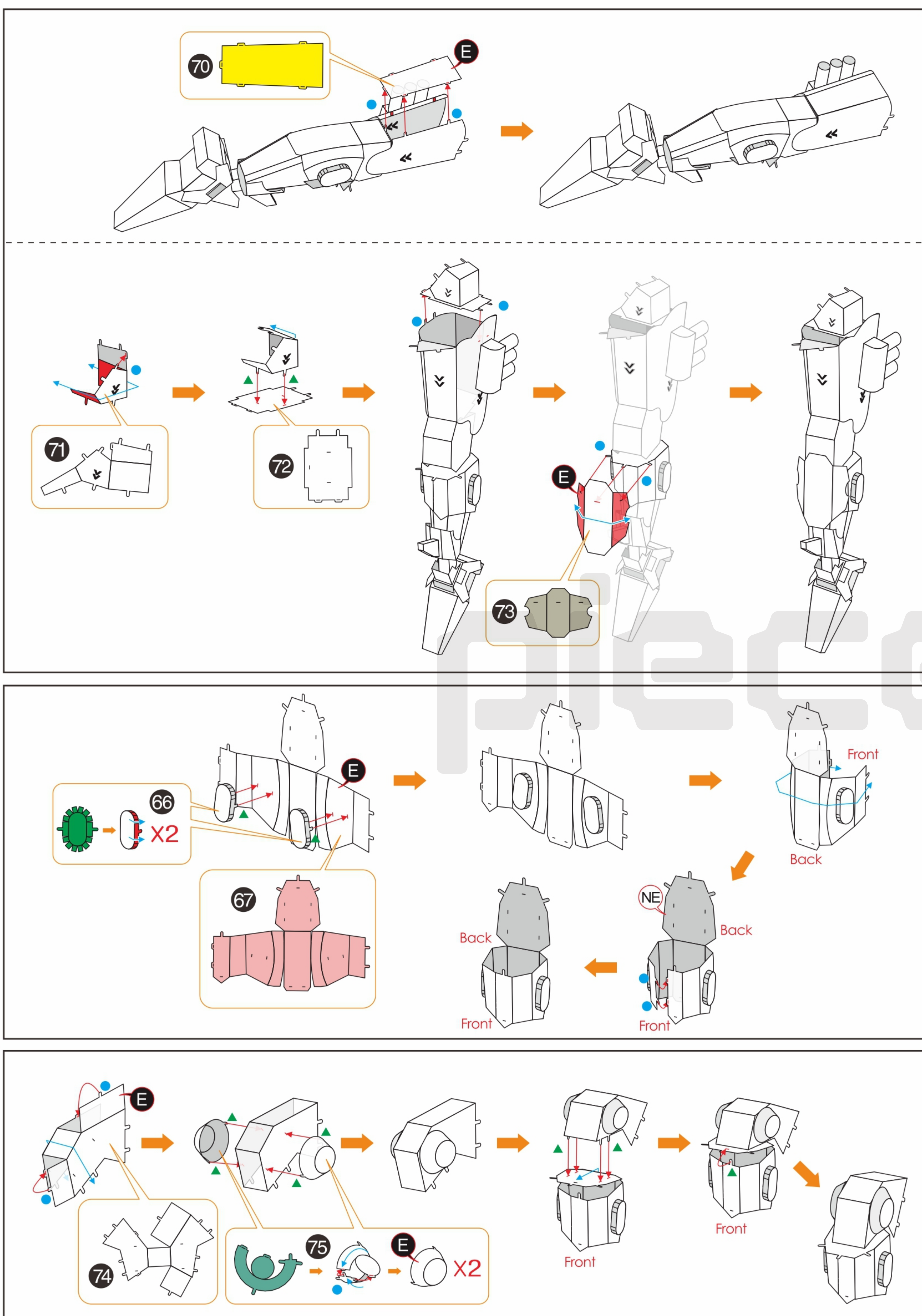
### Assembly Flow Chart

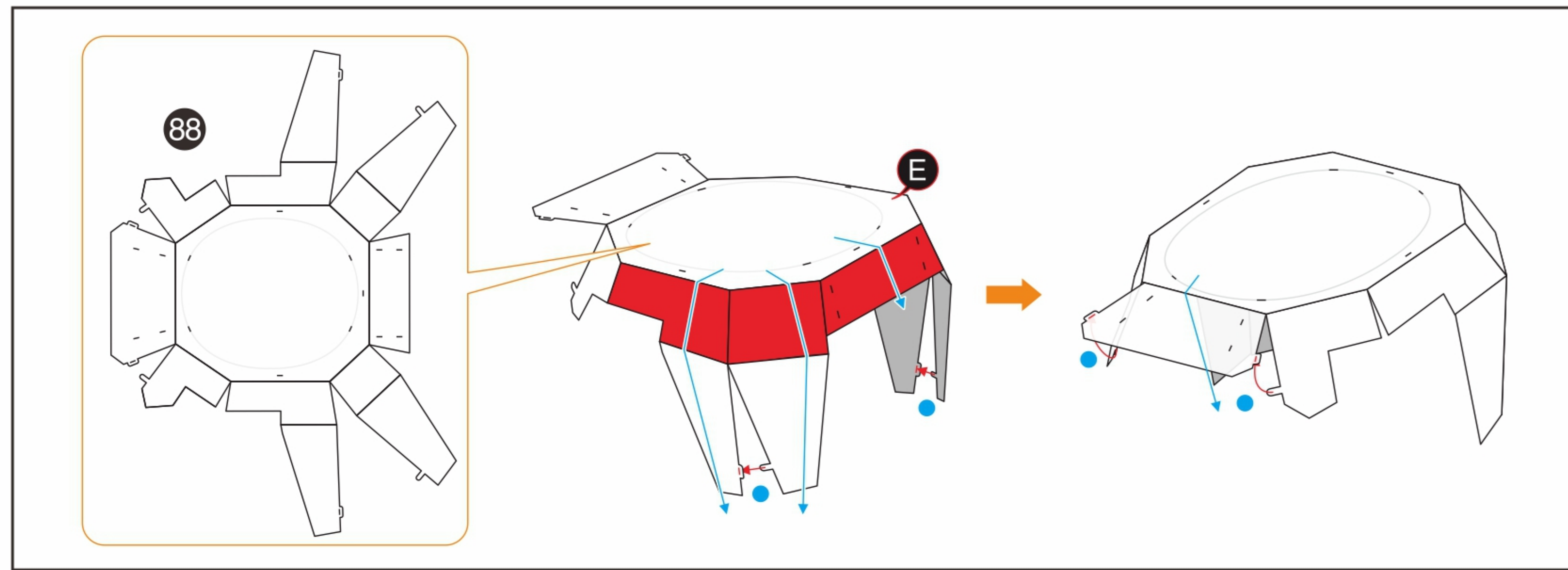
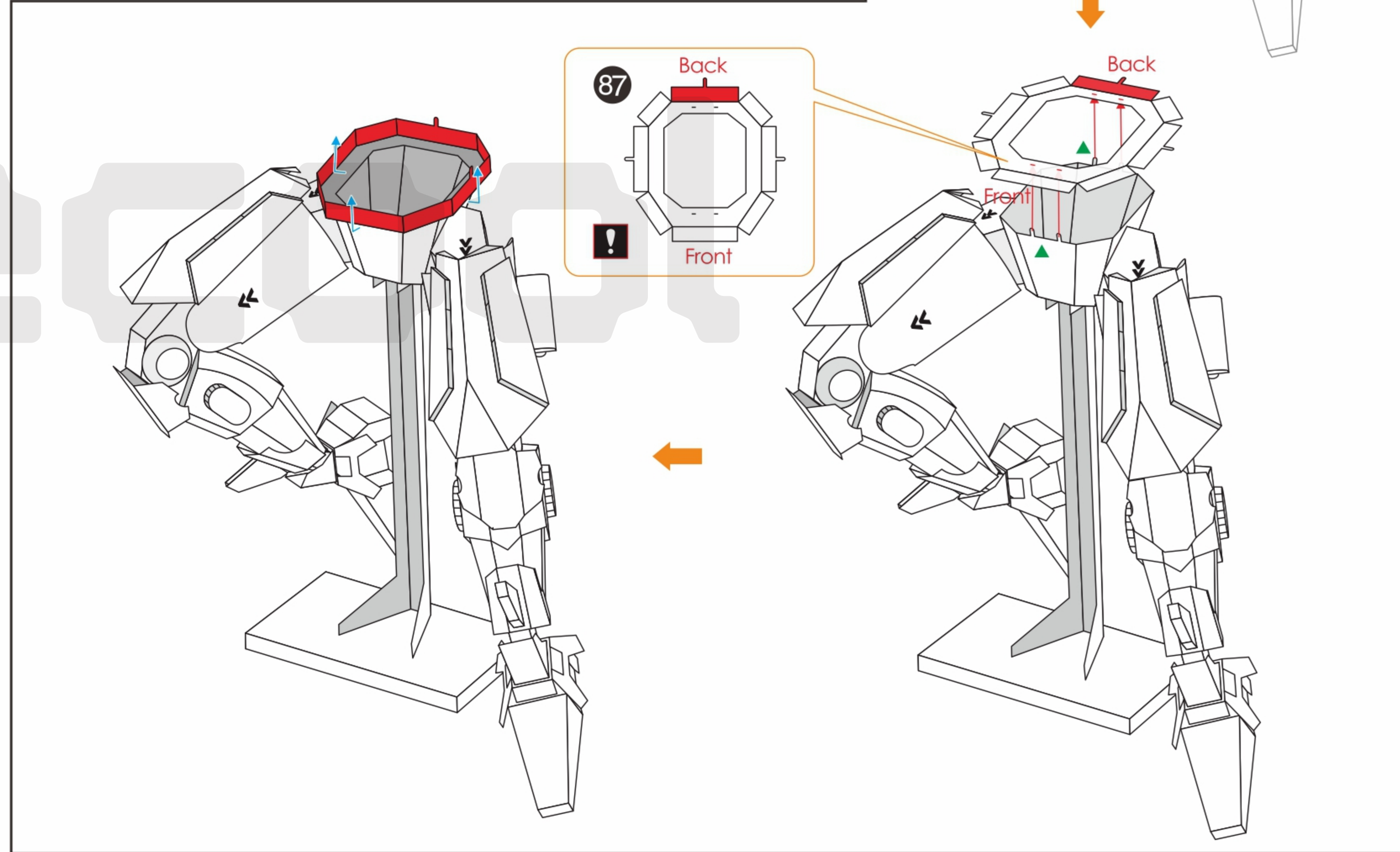
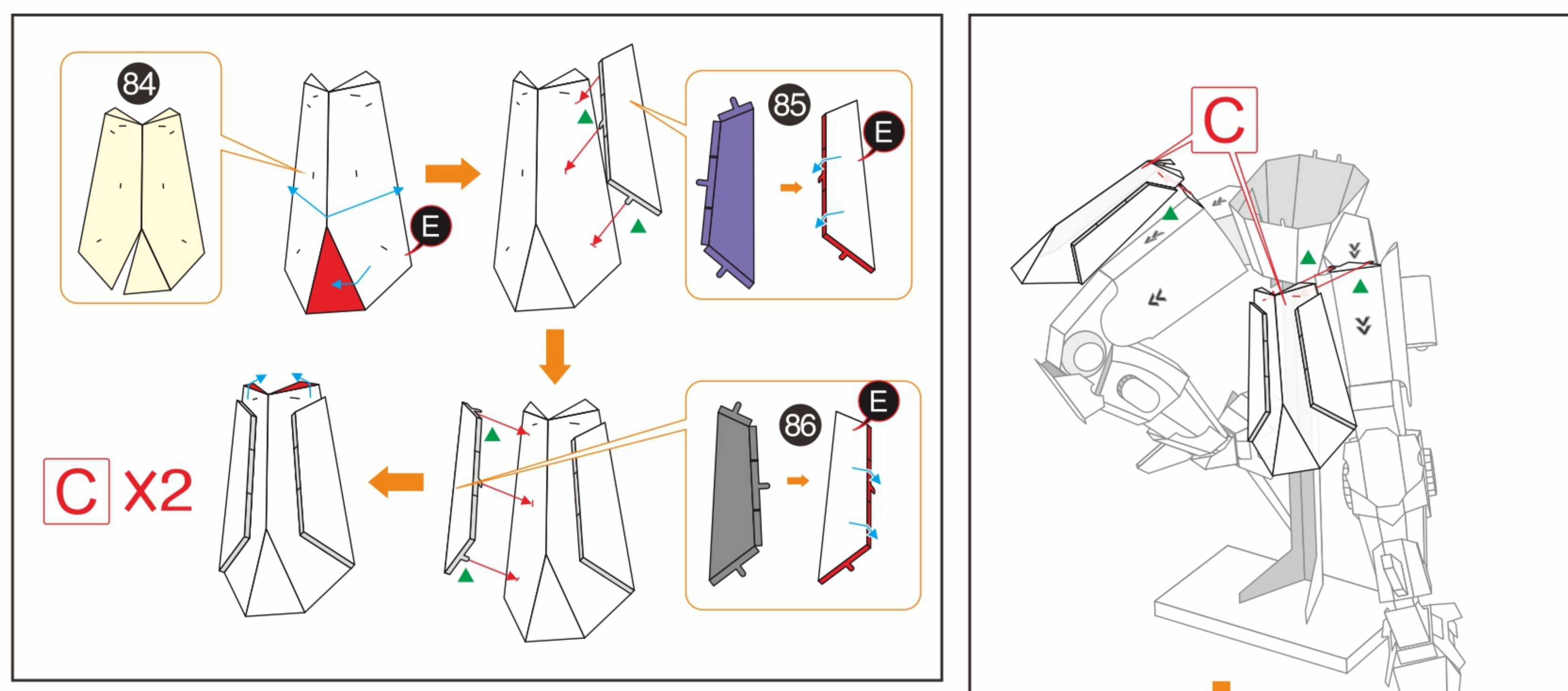
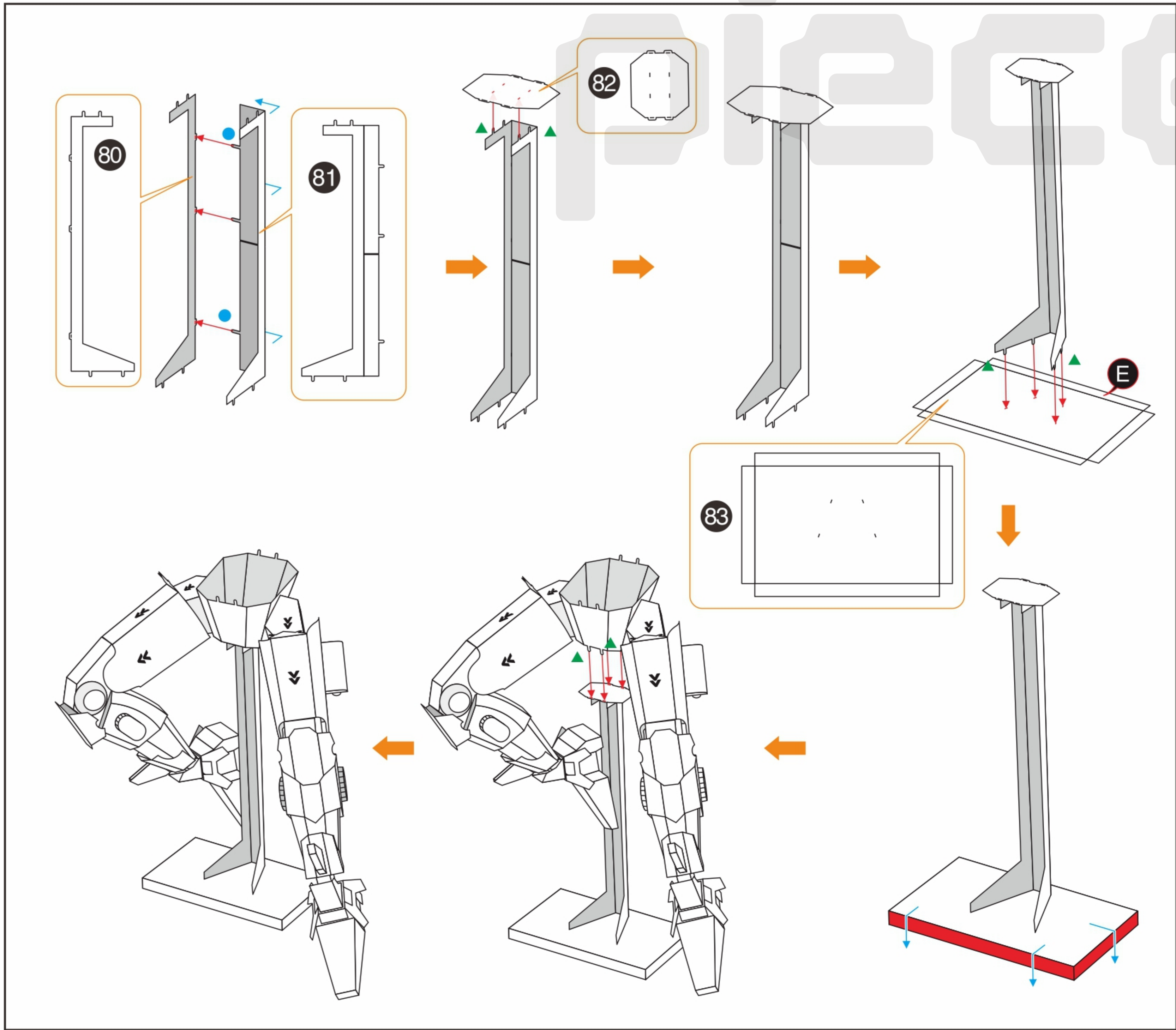
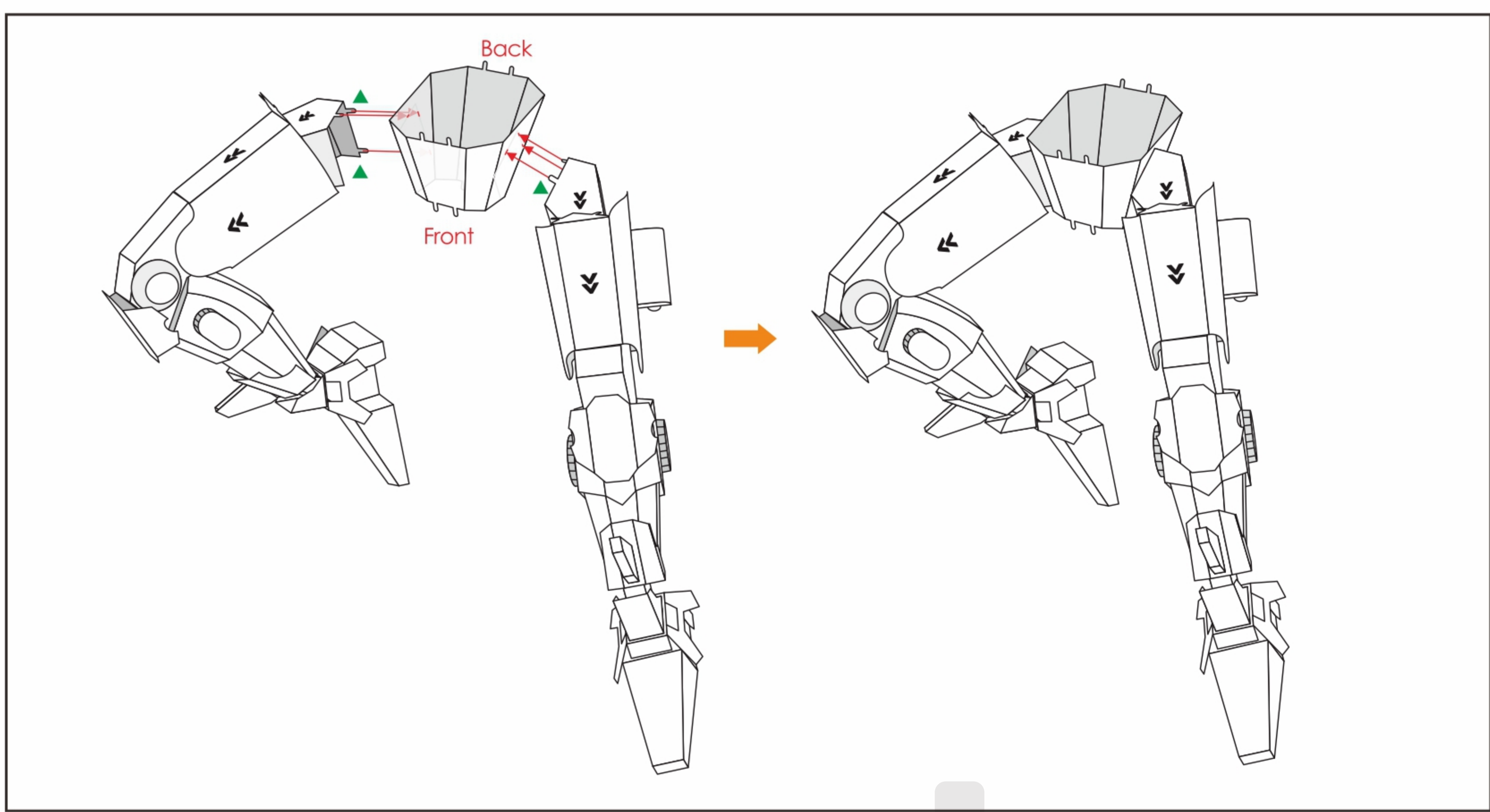






9 10  
11 12





13 14  
15 16

